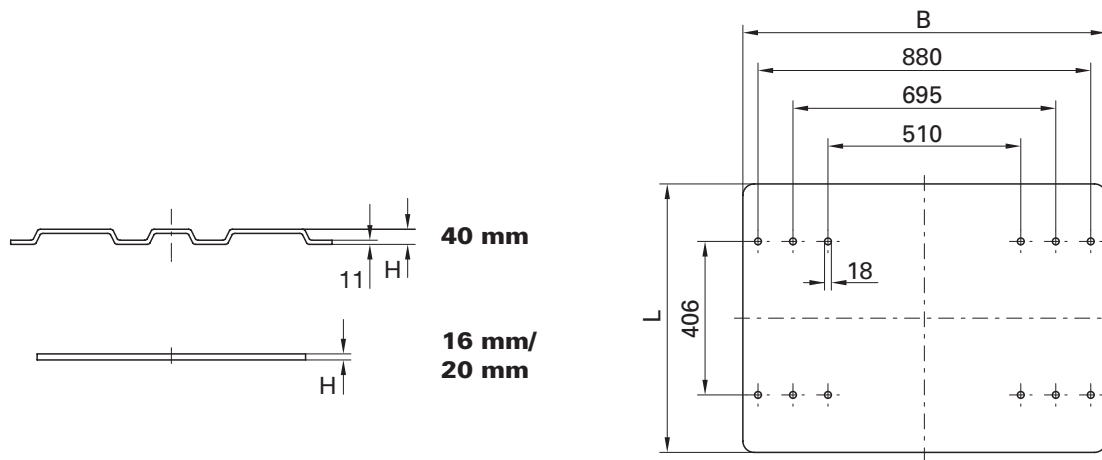


# Mounting plates for heavy duty fifth wheel couplings



Hole pattern as per DIN 74081 / ISO 3842

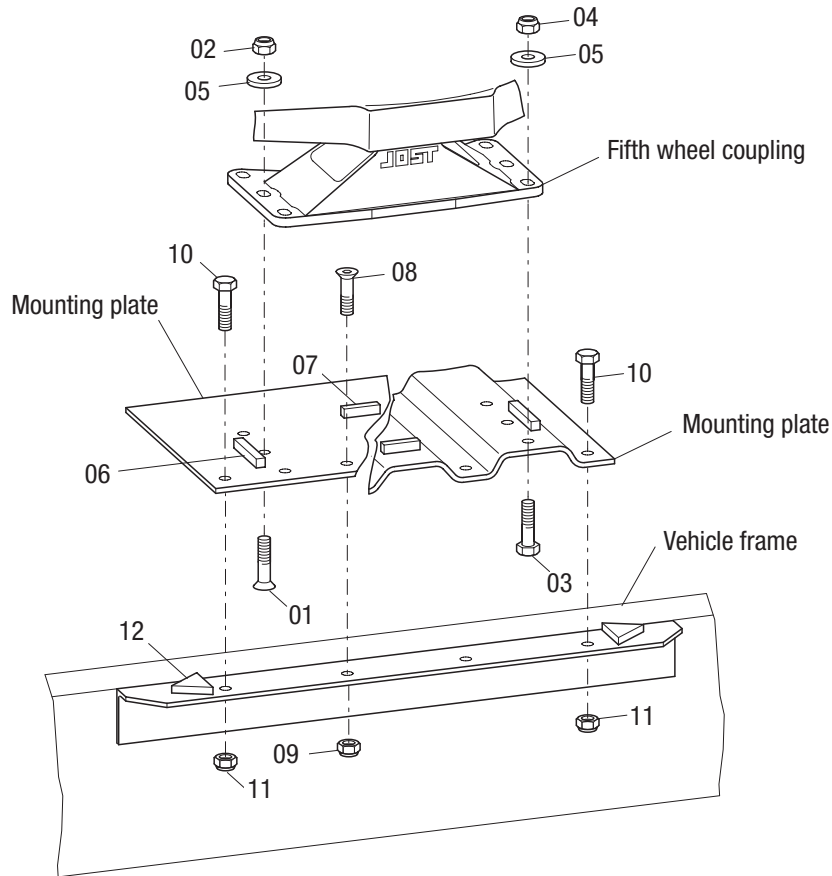
## Selection table / Versions available

Order No.	H (mm)	L (mm)	B (mm)	D value (kN)	Imposed load U (t)	Weight (kg)	Approval (ECE)	Fifth wheel coupling Mounting height (mm)	Frame hole pattern	Bolt kit
MP0117	16	710	960	260	36	86	E1 55R-01 0951	up to 290	without	SK 2410-13
MP0117-117	16	710	960	260	36	86	E1 55R-01 0951	up to 290	IVECO	SK 2410-13
MP0117-119	16	710	960	260	36	86	E1 55R-01 0951	up to 290	MAN	SK 2410-13
MP0117-212	16	710	960	260	36	86	E1 55R-01 0951	up to 290	Mercedes-Benz	SK 2410-13
MP0118	16	710	1050	260	36	94	E1 55R-01 0951	up to 290	without	SK 2410-13
MPL01021938AD	16	860	960	260	36	102	E1 55R-01 0951	up to 290	Scania	SK 2410-13
MP0925	20	850	960	300	50	128	E1 55R-01 2496	up to 190	without	SK 2410-021
MP0925-218	20	850	960	300	50	128	E1 55R-01 2496	up to 190	Scania	SK 2410-021
MP4125	40	850	960	260	36	77	E1 55R-01 0950	up to 290	without	SK 2410-05
MP4125-213	40	850	960	260	36	77	E1 55R-01 0950	up to 290	Mercedes-Benz	SK 2410-05
MP4126	40	850	1050	260	36	81	E1 55R-01 0950	up to 290	without	SK 2410-05
MP4126-126	40	850	1050	260	36	81	E1 55R-01 0950	up to 290	Daewoo	SK 2410-05
MP4157-124	40	970	960	260	36	79	E1 55R-01 0950	up to 290	MAN	SK 2410-05
MPL41041837AA	40	970	960	260	36	78	E1 55R-01 0950	up to 290	Scania	SK 2410-05
MPL41041218AA	40	850	1010	260	36	80	E1 55R-01 0950	up to 290	Mercedes-Benz*	SK 2410-05
MPL41041852AK	40	970	960	260	36	86	E1 55R-01 0950	up to 290	DAF	SK 2410-05
MPL41042246AH	40	970	1010	260	36	86	E1 55R-01 0950	up to 290	Mercedes-Benz*	SK 2410-05

More information on the fixing kits on the next page.

\* Actros new (MP4)

# Mounting kits · JSK 38 C1/ G1



## Mounting kit consisting of (Quantity per kit):

Item	Order No.	SK 2410-13 (16 mm)	SK 2410-05 (40 mm)	SK 2410-01 (40 mm)	SK 2410-03 (40 mm)
	<b>Height of MP:</b>				
	<b>Description</b>				
01	Countersunk bolts M16 x 70	4			
02	Hexagon nuts M16	4			
03	Hexagon bolts M16 x 1,5 x 60		12	12	
03	Hexagon bolts M16 x 1,5 x 70	8			
04	Hexagon nuts M16 x 1,5	8	12	12	
05	Washer 17	12	12	12	
06	Stop blocks 25 x 12/100 mm	4	4	4	
07	Stop blocks 25 x 12/60 mm	2	2	2	
08	Countersunk bolts M20 x 50	4			
09	Hexagon nuts M20	4			
10	Hexagon bolts M20 x 1,5 x 50	4	8		8
11	Hexagon nuts M20 x 1,5	4	8		8
12	Stop blocks 65 x 12/65 mm	4	4		4