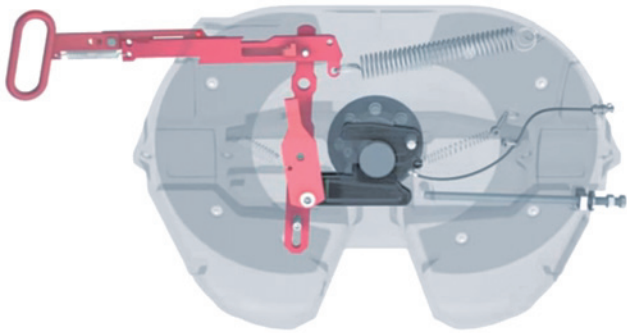
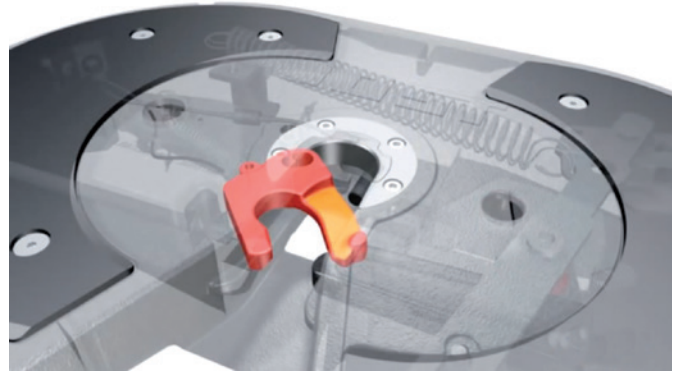


Design and components

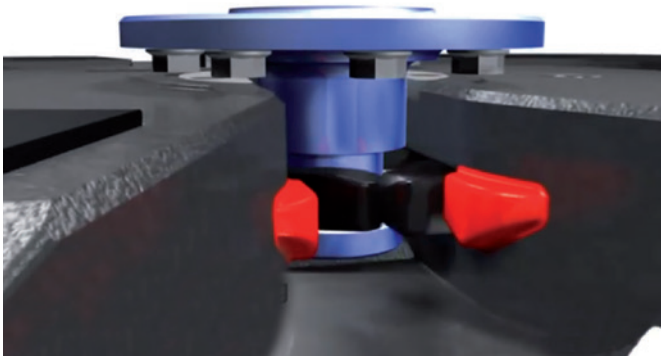
The construction of JOST fifth wheel couplings guarantees the highest degree of safety.



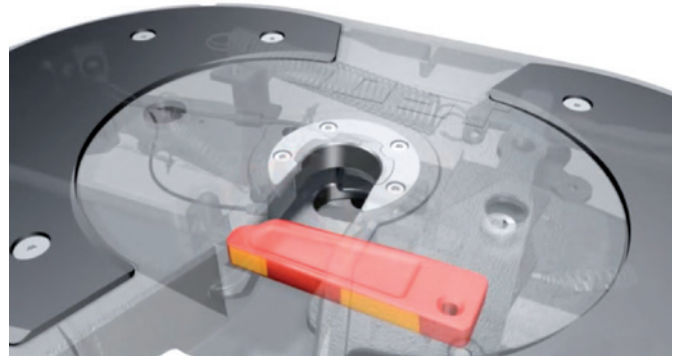
The recess on the patented lock jaw prevents dangerous false locking.



The tappets in the insertion area ensure that the king pin is guided accurately into the fifth wheel coupling.

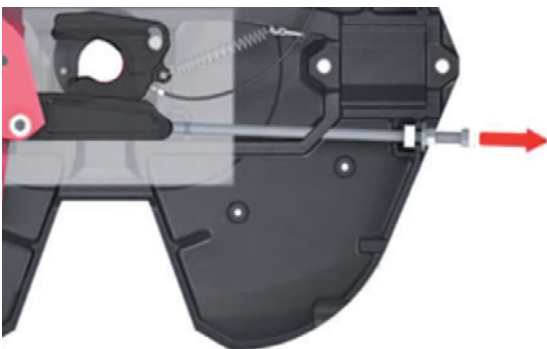


The locking bar, supported on both sides, guarantees an extremely stable safety system.



Further advantages

The adjusting screw allows the lock to be subsequently adjusted, resulting in lower wear.



Wearing ring easy to replace without dismantling the fifth wheel coupling.