

Systems

JOST coupling systems use cutting edge electronic technology to increase safety, comfort and efficiency in all operations. The following variants are currently available for different demands:

- Automatic coupling system (KKS)
- Sensor coupling system (SKS)
- Sensor fifth wheel coupling (sensors)
- LubeTronic 5- and 1Point
- King Pin Finder

JOST KKS is the ground-breaking automatic coupling system, which is revolutionising the coupling process. The tried-and-tested components – including the JSK 42 fifth wheel coupling, the Modul E-Drive landing gear, SKS, sensors, King Pin Finder and LubeTronic – form a complete system which no longer requires the driver to climb, crank or plug.

In the SKS sensor coupling system, three sensors constantly monitor the status of the fifth wheel coupling. The coupling is opened comfortably and in a time-saving manner using a remote control in the driver's cab. The sensor fifth wheel coupling system also permanently monitors the locking position via sensors, displaying the position via remote display in the driver's cab.

The coupling systems are supplemented by LubeTronic, the automatic lubrication systems which are available for both standard and low-maintenance fifth wheel couplings. These systems reduce both the effort required for subsequent greasing, as well as the amount of grease. The biodegradable, high-performance lubricant is not only easy on the wallet, but also on the environment. The optional King Pin Finder, a high-resolution camera in the JSK 42 fifth wheel, also enables a precise image when maneuvering backwards. This provides additional safety when hitching up.

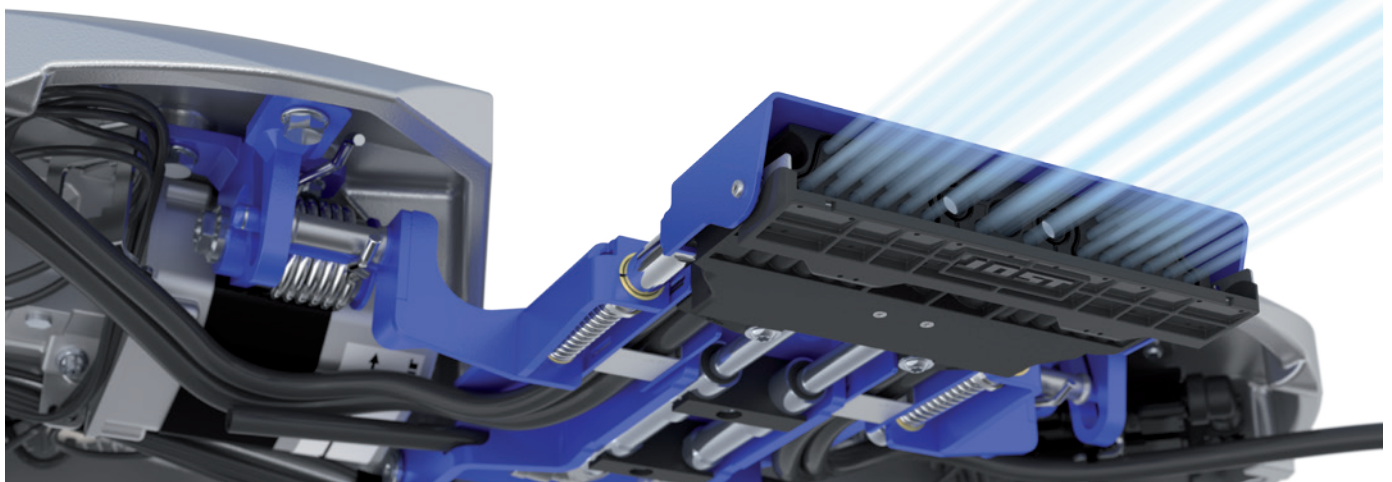
KKS

The JOST KKS enables the driver to couple and decouple the semi-trailer via remote control without leaving the driver's cab. The JSK 42 fifth wheel coupling, the Modul E-Drive landing gear, SKS, sensors, King Pin Finder and LubeTronic components form a complete system which saves time when coupling, as well as increases safety, efficiency and ergonomics.

The driver is guided through the fifth-wheel process process and with the help of the sensors and the King Pin Finder, he receives live information about the coupling status on the KKS remote control in the driver's cab at any time. Furthermore,

the driver can operate the landing gear and fifth wheel coupling locking mechanism from the cab, significantly reducing the coupling duration and number of times needed to get in and out of the cab. It is of course possible to introduce the KKS step-by-step into the fleets, as the operation in mixed fleets is possible.

The KKS is particularly suited for transport companies which often perform coupling processes and drive short distances, such as those in on-site operations, as the time advantages here are particularly beneficial from a financial standpoint.



Benefits at a glance

Ergonomics and health



- No need to climb onto the catwalk
- No more cranking of landing gears, automatic operation
- No more manual mounting of the fifth wheel coupling
- Less frequent entry and exit prevents fall accidents

Safety



- KKS and sensors prevent trailer loss
- Wrong coupling is no longer possible: when the trailer is supplied with electricity, the king pin is in the fifth wheel coupling
- The driver cannot become trapped between truck and trailer
- No more workplace accidents caused by careless climbing
- Standard pneumatic cylinder always allows effortless opening of the fifth wheel coupling, even when the tractor-trailer is twisted
- Three sensors are built in as standard, for sensing the king pin, trailer plate and fifth wheel lock
- The landing gear is always moved all the way up, thereby preventing damage
- Easy reverse maneuvering thanks to the optional King Pin Finder

Time saving of up to 50 %



- No more need for cranking, connecting and disconnecting supply lines or opening the fifth wheel, thus freeing up time for other important tasks

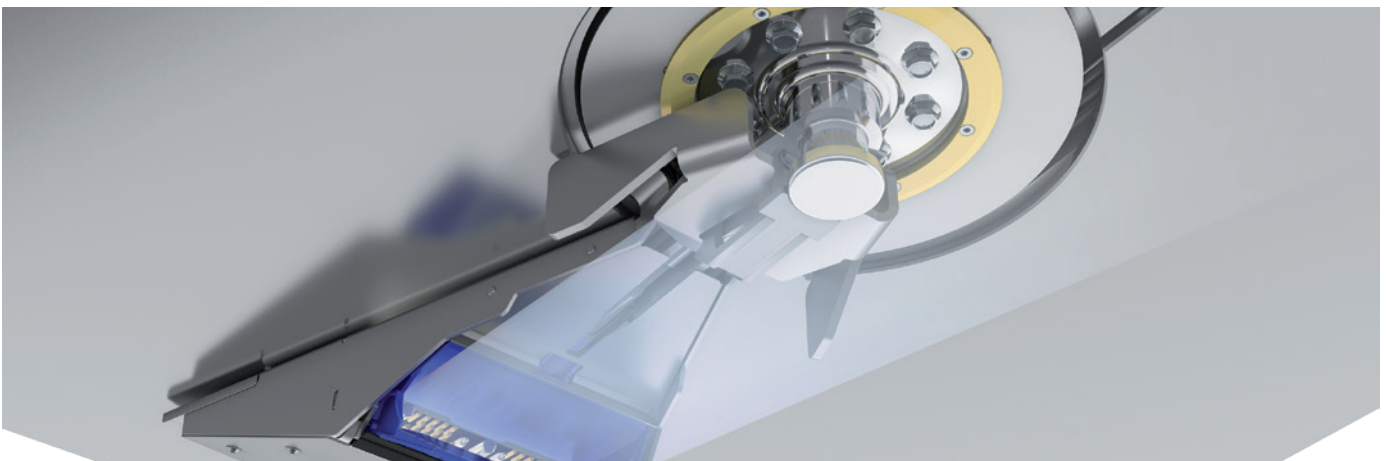
Further advantages

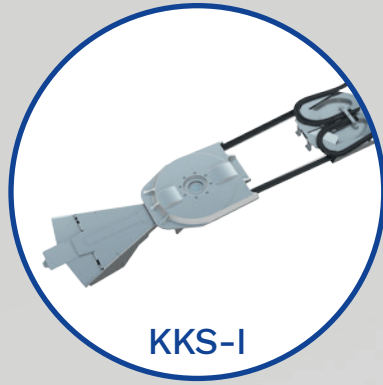


- Simple coupling and decoupling, even when it is raining, snowing or during darkness
- Relieves time pressure on the driver, resulting in less stress and fewer errors
- Reduced space requirement, as cranking the landing legs is no longer necessary
- Increased convenience for the driver
- Of course, operation in mixed fleets is also possible; therefore, the JOST KKS can be introduced step-by-step
- Standardised plug certified to ISO 13044-2 makes the system future-proof
- Supply connections for truck and trailer remain intact
- Costs can be reduced, as the catwalk, supply lines and side flaps are no longer needed
- Can be reliably deployed for transporting dangerous goods thanks to ADR certificate
- Approved as per ECE R55-01 and ECE R13
- Lower CO₂ emissions due to less idling

JOST KKS is a revolutionary product which will permanently change the logistics sector, thanks to the time, comfort and safety gains enabled through a single product.

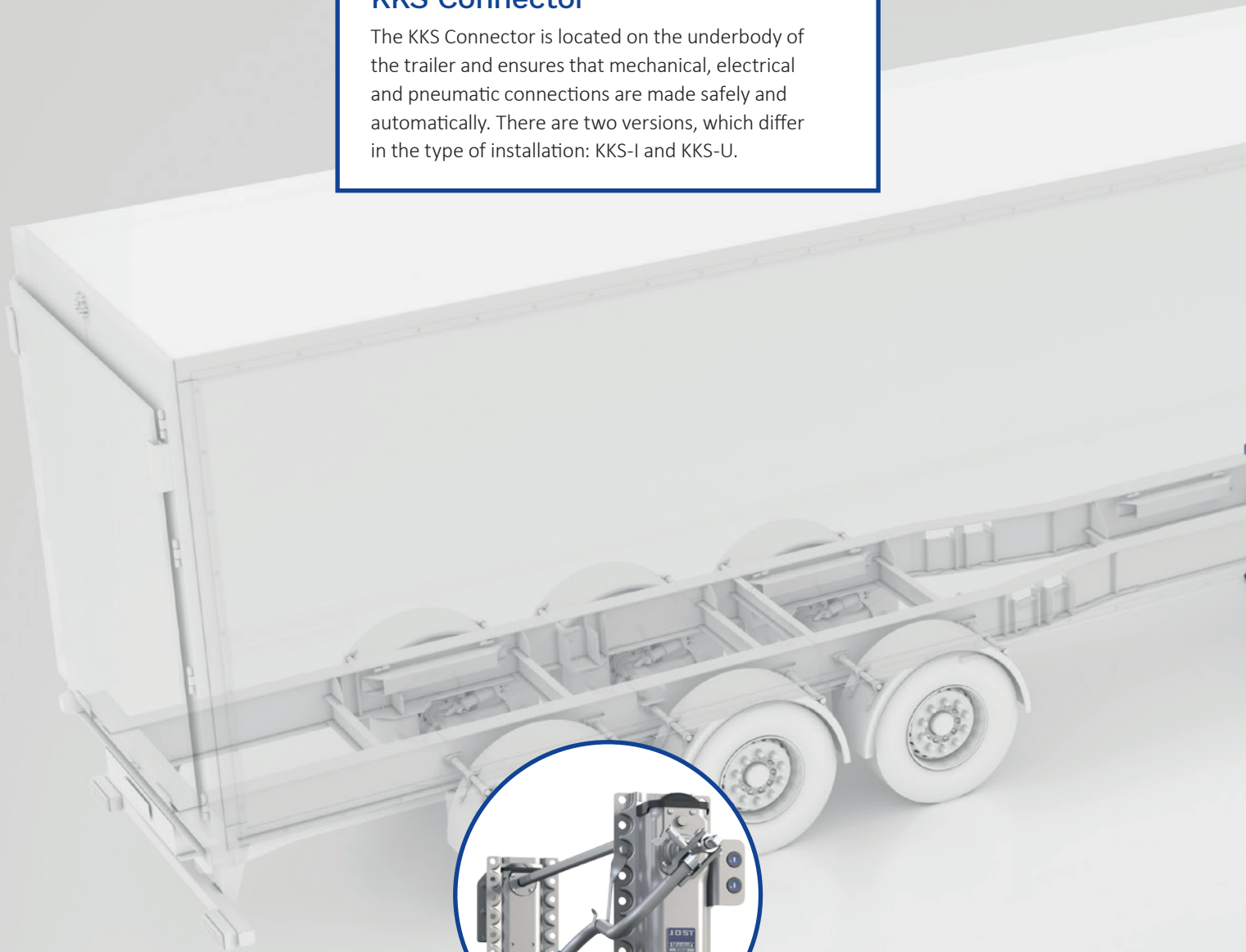
The complete automation of manual, time-consuming and strenuous processes enhances safety, efficiency and ensures greater satisfaction amongst drivers in today's fleets. A huge advancement, particularly in times of demographic changes and a lack of drivers!



**KKS-I****KKS-U**

KKS Connector

The KKS Connector is located on the underbody of the trailer and ensures that mechanical, electrical and pneumatic connections are made safely and automatically. There are two versions, which differ in the type of installation: KKS-I and KKS-U.



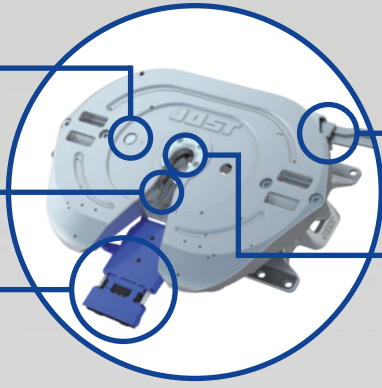
KKS Modul E-Drive

The Modul E-Drive landing gear ensures that there is no need to crank - this happens as if by itself with the help of an electric motor.

Sensor for coupling height

King Pin Finder

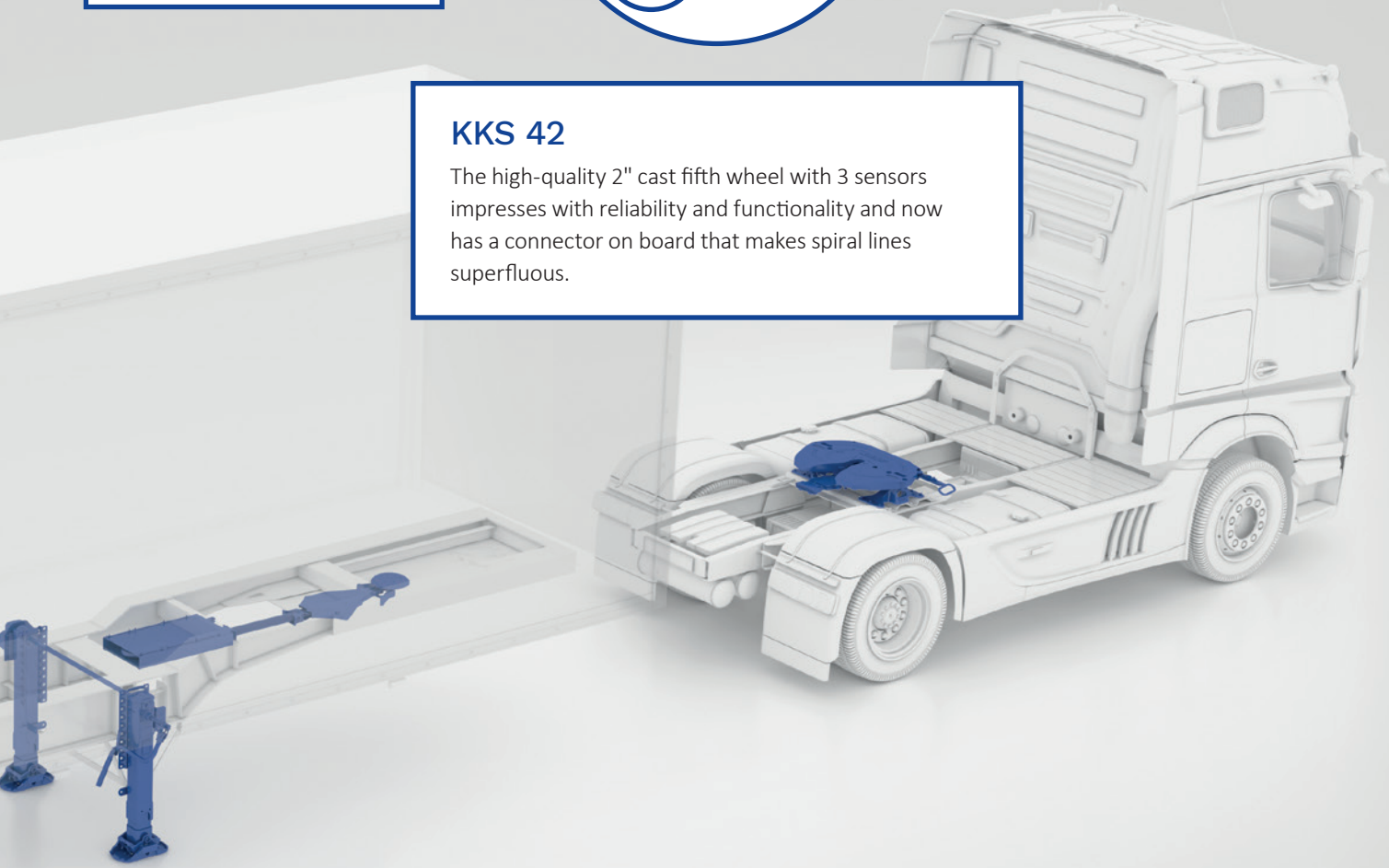
KKS Connector for air, electrics and brake (ISO 13044)



Sensor for locking position

Sensor for King Pin

KKS 42
The high-quality 2" cast fifth wheel with 3 sensors impresses with reliability and functionality and now has a connector on board that makes spiral lines superfluous.



KKS Remote Control
With the KKS remote control, the driver has the coupling and uncoupling process firmly under control and receives live information about the locking status of the fifth wheel.

Selection table / Versions available

Truck

KKS Fifth Wheel Coupling

- The KKS Fifth Wheel Coupling is structurally identical to the JSK 42
- The models below serve as examples; more can be provided on request
- Equipped as standard with sensors, SKS and LubeTronic 5Point in the standard version, or with LubeTronic 1Point in the low-maintenance version
- Optionally with King Pin Finder

Order No.	H (mm)	Weight (kg)	Approval (ECE)	WA	Remark
KKS 42 K0 20 GH AA	150	135	E1 55R-01 1245	LT5P	Including accessories
KKS 42 K0 20 GJ AA	150	134	E1 55R-01 1245	W+LT1P	Including accessories
KKS 42 K0 38 U1 AA	185	132	E1 55R-01 1245	W+LT1P	Without accessories
KKS 42 K0 57 GJ AA	225	145	E1 55R-01 1245	W+LT1P	Including accessories
KKS 42 K0 70 GH AA	250	150	E1 55R-01 1245	LT5P	Including accessories

Trailer

KKS Connector

- Available versions for KKS-I Connector (includes cable unwinding, steering wedge, weld-in plate and KTL-coated king pin, KKS connector for installation in the trailer)
- Dimensions A and B, in line with king pin KZ10 (only KKS-I)
- Available versions for KKS-U Connector (includes cable unwinding in cable box, steering wedge and KTL-coated king pin, KKS connector for installation **under** the trailer)

Order No.	D value (kN)	A (mm)	B (mm)	Approval (ECE)
KKS-I KKS C 1008	162	8	37	E1 55R-01 0145
KKS C 1010	162	10	34	E1 55R-01 0145
KKS C 1012	162	12	33	E1 55R-01 0145
KKS-U KKS U 1010	162	not relevant		E1 55R-01 0145

Trailer

KKS Modul E-Drive

- Available in six installation heights with an especially large lift
- Back plate can be ordered in three different plate positions (top, bottom and double back plate)

Order No.	M (mm)	H (mm)	A (mm)	Back plate
B0103-010000KKS	900	560	630	Double plate
B0203-010000KKS	850	520	580	Double plate
B0303-010000KKS	800	470	530	Double plate
B0403-010000KKS	750	430	480	Double plate
B0503-010000KKS	700	400	430	Double plate
B0603-010000KKS	650	350	380	Double plate

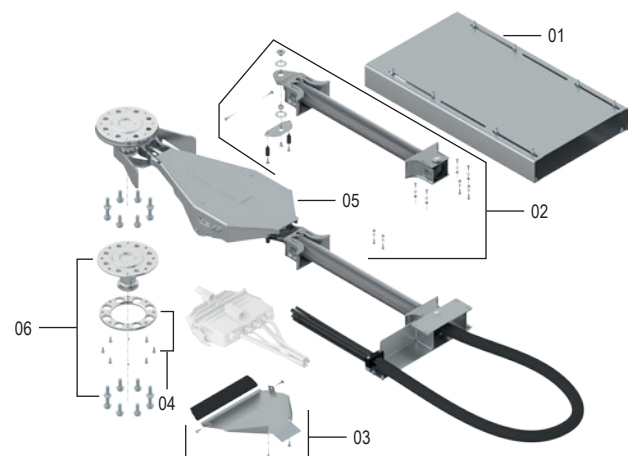
Can only be ordered with S foot

Note: Other models available on request. Cranks and connection shafts need to be ordered separately and are shipped unassembled. More information and designs on page 134 of the catalogue.

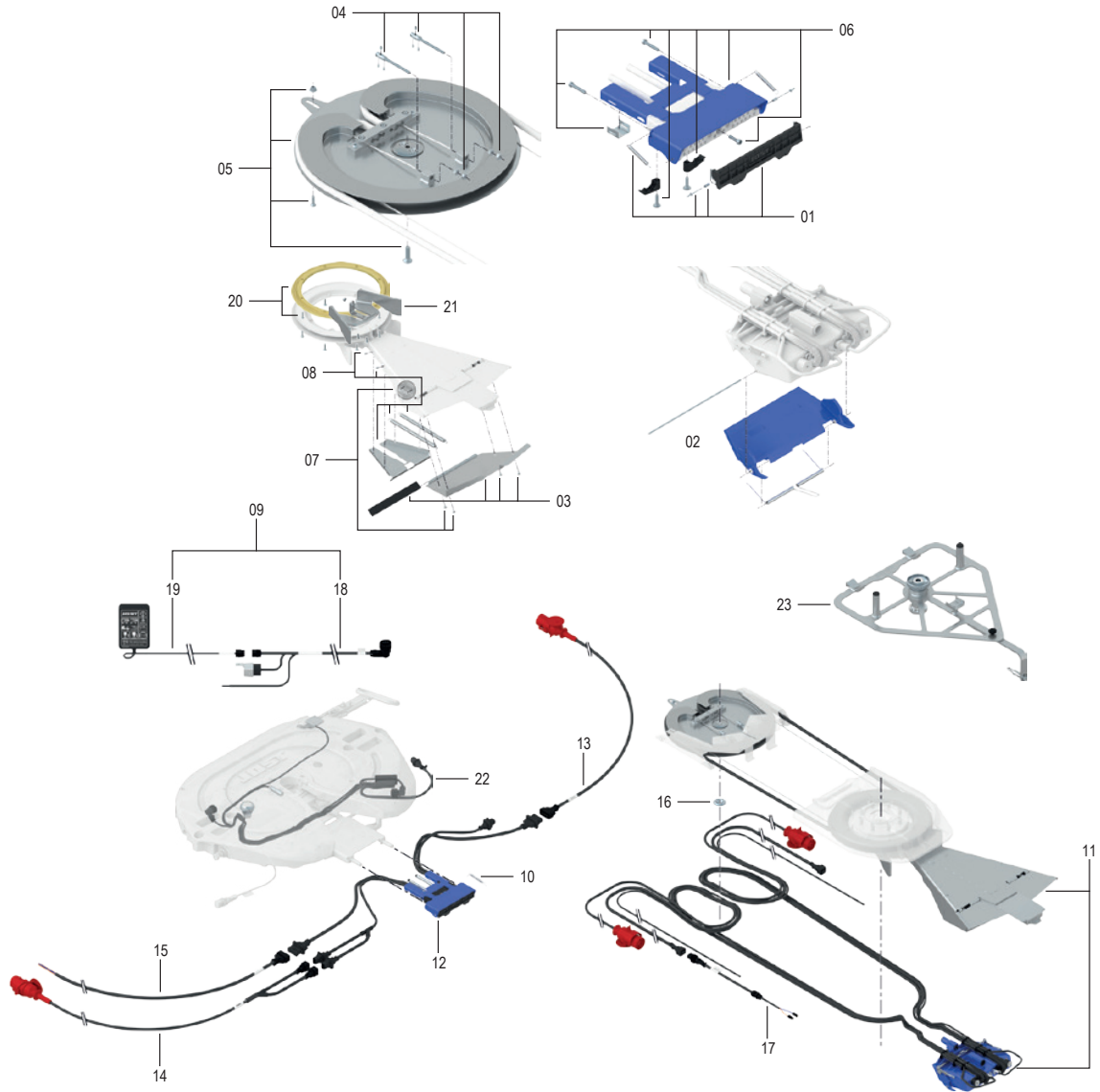


Spare parts kits KKS-U

Pos.	Description	Order No.
01	Cable storage kit	KKSE120961700
02	Tension spring kit KKS-U	KKSE121030100
03	Cover wedge kit KKS-U	KKSE120971400
04	Lock ring kit KKS-U	KKSE120961600
05	Wedge unit kit KKS-U	KKSE121076000
06	King pin kit KKS-U	KKSE120916500



Spare parts and kit KKS-I, KKS42, Modul E-Drive



Item	Description	Remark	Order No.
01	Socket cover kit (ready to install)		KKSE100473400
02	Aluminium valve kit		KKSE119091300
03	Lower cover panel for wedge kit		KKSE115641500
04	Steel cable tensioner kit		KKSE119052600
05	Cable storage kit	with 16	KKSE115642300
06	Socket guard kit		KKSE115631200
07	Pivoted lever spring kit		KKSE115637400
08	Wedge return spring kit		KKSE115642100
09	Connector cable with relay	cpl. with 18 + 19	KKSE100457600
10	Socket cover tension spring		KKSE119260700
11	Wedge transport kit	cpl. with 03 + 07 + 08 + 02	KKSE115634800
12	KKS socket unit	cpl. with 10 + 01 + 06	KKSE115628200
13	15 pin cable set		KKSE119293700
14	7 pin cable set		KKSE119293900
15	4 pin energy supply cable		KKSE119293800
16	Centering ring		KKSE115634700
17	E-Drive to KKS adapter cable	if Modul E-Drive already available	KKSE119057200
18	Connector cable with relay		SKE003310200
19	Display	including holder	KKSE100457300
20	Bearing Ring Kit		KKSE115642200
21	Push Rod Sheet Kit		KKSE115641700
22	Sensor set KKS		SKE0109800
23	Tool setting master		SKE008630001
24	E-motor KKS Modul E-Drive	Analogue E-motor see page 179 pos. 22 only for KKS	JSE7011002