

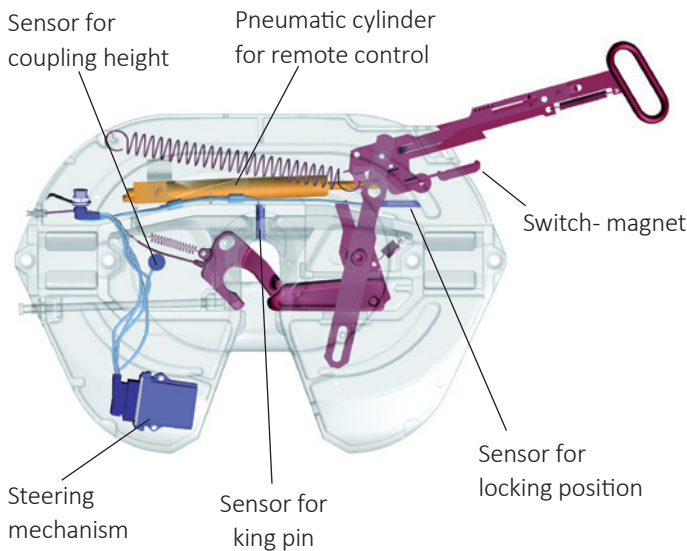
# SKS (Sensor coupling system)

## Advantages at a glance

- Sensors provide optimum safety when connecting
- Increased safety even in poor visibility
- The pneumatic mechanism of the lock enables the fifth wheel coupling to be opened effortlessly at all times, even when the tractor/trailer unit is under tension
- Avoids unnecessary shunting and fiddling
- The fifth wheel coupling can still be operated mechanically

## Technical Features

- The remote control in the cabin opens the fifth wheel coupling at the push of a button thanks to a pneumatic cylinder.
- A sensor permanently monitors the locking position and displays it in the driver's cabin
- A second sensor controls the position of the king pin
- A third sensor displays the correct coupling height in the driver's cab
- Sensors are located in protected zones on non-moving parts
- Electromagnetical compatibility according to highest standards



## Selection table / Versions available

### Plate mounting

Order No.	H (mm)	Weight (kg)	Approval (ECE)	WA
JSK 42 K0 20 49 AA	150	133	E1 55R-01 1245	Z
JSK 42 K0 20 51 AA	150	132	E1 55R-01 1245	W
JSK 42 K0 38 49 AA	185	131	E1 55R-01 1245	Z
JSK 42 K0 38 51 AA	185	130	E1 55R-01 1245	W
JSK 42 K0 57 49 AA	225	136	E1 55R-01 1245	Z
JSK 42 K0 57 51 AA	225	135	E1 55R-01 1245	W
JSK 42 K0 70 49 AA	250	140	E1 55R-01 1245	Z
JSK 42 K0 70 51 AA	250	139	E1 55R-01 1245	W

### Technical Specification

Sensor coupling system in accordance with the ECE R55-01, TÜ.EGG.095-05, DIN 74081, ISO 3842, ECE R10 directives/standards. Suited for picking up 2" king pins (class G50) in accordance with ECE R55-01, DIN 74080, ISO 337 and steering wedges in accordance with ECE R55-01, DIN 74085.

### Truck kit (remote control unit and cable set)\*

Order No.	Weight (kg)
SKE003790100	2.4

Also available for additional models in the **JSK 42** series

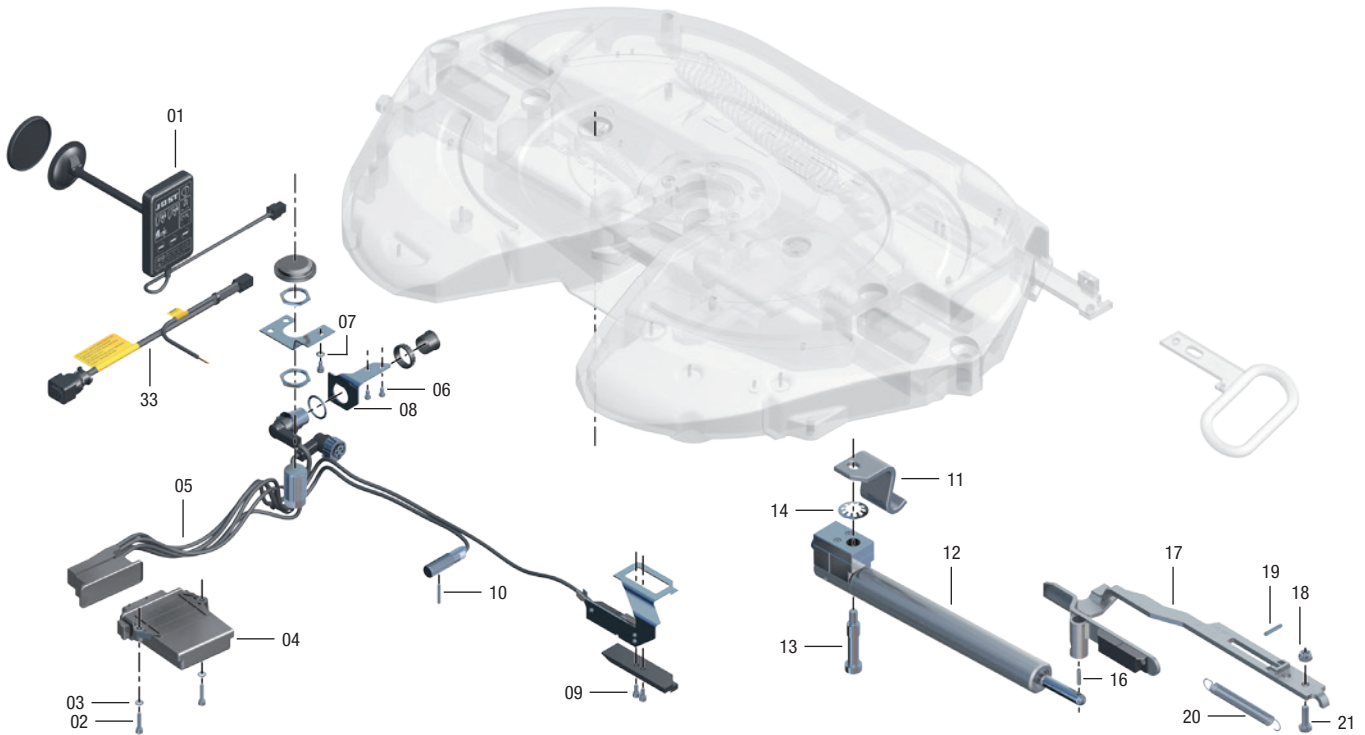
*Before installing SKS, please make sure that electric and air connections are available.*

\*Truck kit must be ordered separately



# Fifth wheel couplings SKS

## Spare parts



## Repair kits

Item	Description	Order No.
01	SKS display with activation via parking break	SKE003300300
33	Kit trunk cable with relay	SKE003310200
oZ	Relay	SKE003800100
05, 06, 07, 08, 09, 10	Kit trunk cable SK	SKE003190100
17, 18, 19, 20, 21	Kit locking lever + magnet	SKE001360100
12, 13, 14, 16, 18, 21	Kit opening cylinder	SKE003230100

Item	Description	Order No.
02, 03, 04	SKS control device with activation via parking break	SKE003180300
11, 13	Pitching angle end stop	SKE003240000
oZ	Pitching angle end stop 55 mm for BH150	SKE003250200
oZ	Pitching angle end stop 32 mm	SKE003250100

For spare parts for the fifth wheel coupling, see JSK 42