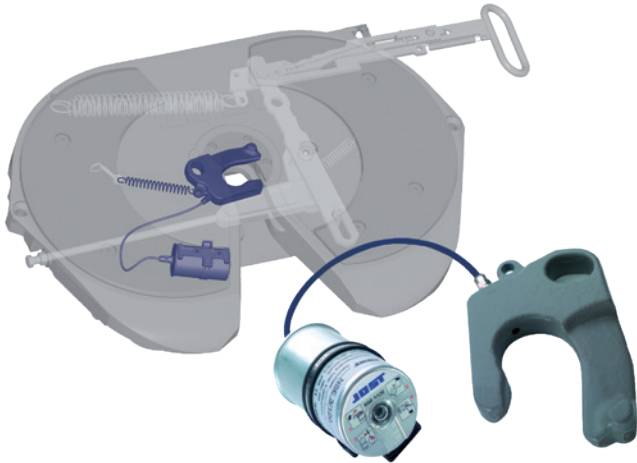


LubeTronic 1Point

Advantages at a glance

- Automatic lock jaw lubrication
- Reduced maintenance costs
- Electronic dose dispensing reduces both costs and environmental impact
- Very light and compact

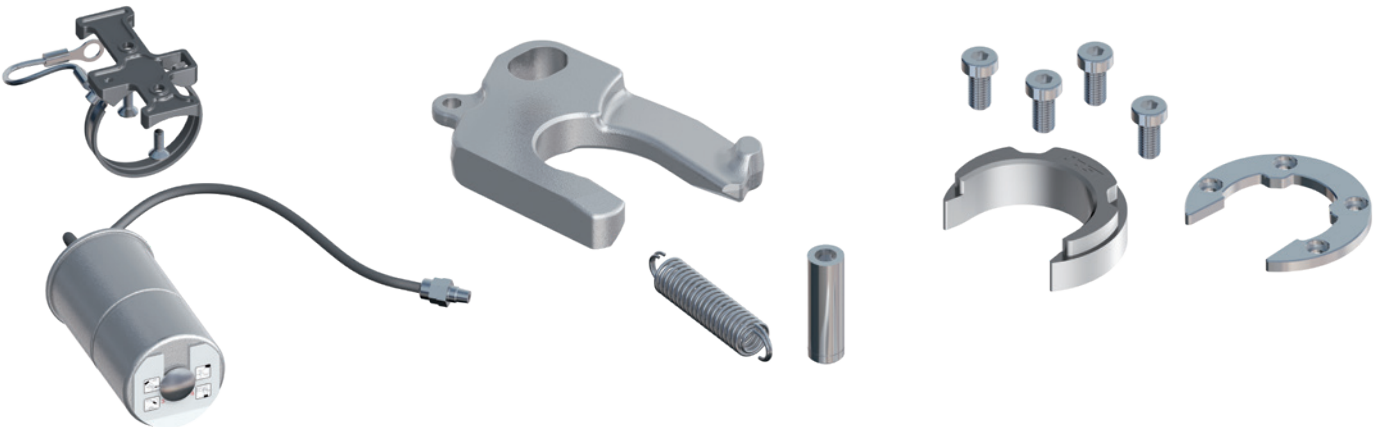


Technical Features

- Lubrication system for low-maintenance fifth wheel couplings installed below the coupling for automatic lock jaw lubrication
- The special coating on the lock jaw makes the surface extremely durable. This allows the lock jaw to be operated with a minimal amount of lubricant.
- Outstanding lubrication qualities thanks to novel lubricant from high-performance grease and continuous lubrication
- Electronic fill level control with an LED display
- 3 year life span
- Easy mounting and replacement without extra effort for wiring
- Can be used to upgrade all low-maintenance couplings
- Also suitable for use in transport of hazardous materials (ADR)
- Completely sealed and immersion tested (IP 68)
- Temperature range: -20° C to +70° C
- Anti-vibration mounting



Repair and retrofit kits



Order No.	Description	Remark
SKE004070100	Repair kit, compl.	with cartridge

Also available for additional models in the **JSK 37 • JSK 42** series

Note
LubeTronic 1Point can be retrofitted for all low-maintenance fifth wheel couplings



Mounting and operating instructions / Repair Manuals