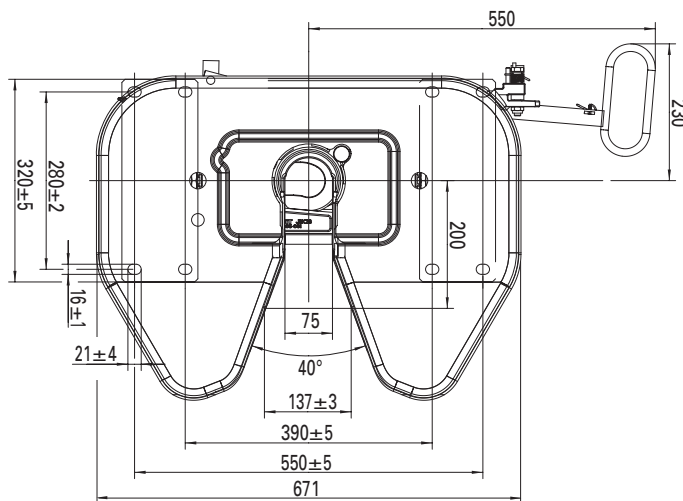
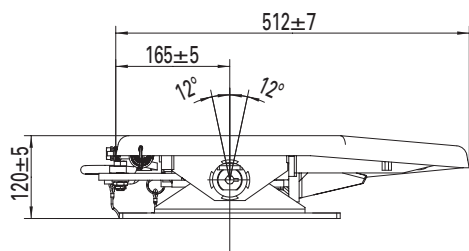


Fifth wheel couplings · JSK 26 D

Advantages at a glance

- Compact 2" fifth wheel coupling for distribution traffic
- Robust pressed steel design
- Approved for forced steering semi-trailers



Selection table / Versions available

Order No.	D value (kN)	Imposed load U (t)	Weight (kg)	Approval (ECE)
JSK 26 D0 10 00 AA	50*	6	45	E1 55R-01 1800

* D value 40.0 kN when steering wedges are used
 Explanatory notes for the selection tables please refer to page 15.

Technical Specification

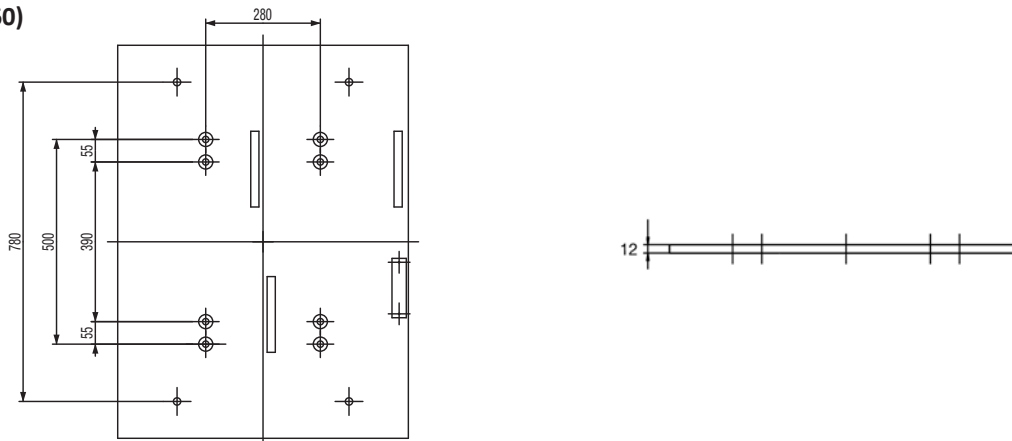
Suitable for 2" king pins (class G50) as per ECE R55-01, DIN 74080, ISO 337 and steering wedges as per ECE R55-01, DIN 74085. Overall weight of transportation unit max. 12 t.

Mounting plate for JSK 26

Order No.	D value (kN)	Imposed load U (t)	Weight (kg)	Approval (ECE)	Frame hole pattern
MPL01010165AA	152	20	62	E1 55R-01 0367	without

Note: Mounting plate can also be attached to the vehicle rotated by 90°. Please enquire.

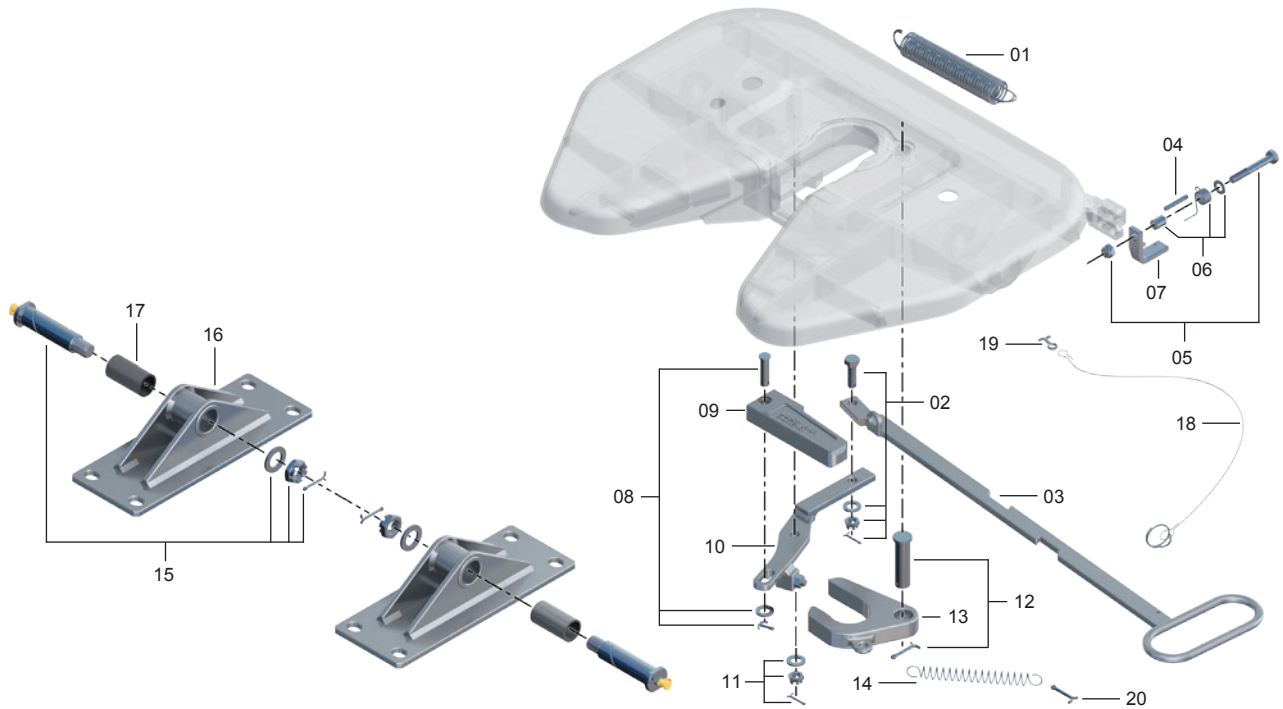
MPL01010165AA (12/710/960)



Mounting instructions at www.jost-world.com

JSK 26 D

Spare parts



Item	Description	Remark	Order No.	per JSK	Item	Description	Remark	Order No.	per JSK
01	Double tension spring		SK 3105-152	1	12	Bolt		SK 2621-51	1
02	Hexagon bolt		SK 2621-54	1	13	Lock jaw		SK 2605-60	1
03	Handle		SKE004790000	1	14	Tension spring		SK 847	1
05	Latch compl.	with 04, 06, 07	SKE112667000	1	15	Spring bolt		SK 2621-02	1
08	Spring noose		SK 2621-53	1	16	Pedestal BH 120		SKE005500000	2
09	Locking bolt		SK 2605-61	1	17	Bush		SK 2604-04	2
10	Lever		SK 2605-59	1	18	Latch cord compl.	with 19	SK 3521-02	1
11	Castle nut		SK 2621-56	1	20	Split pin		NTE000001600	1