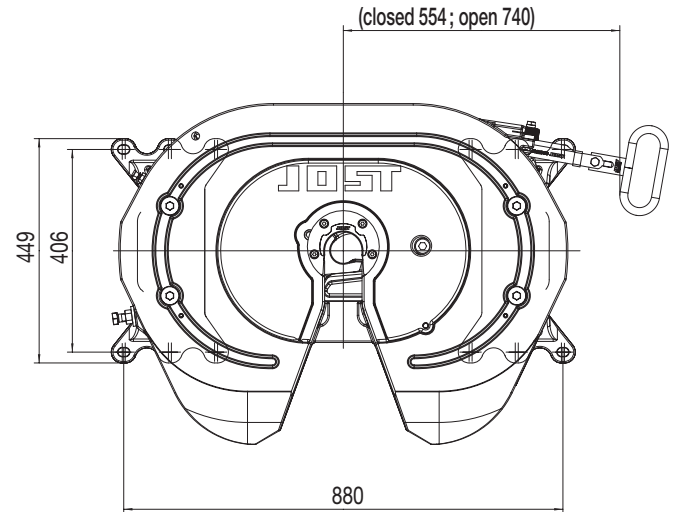
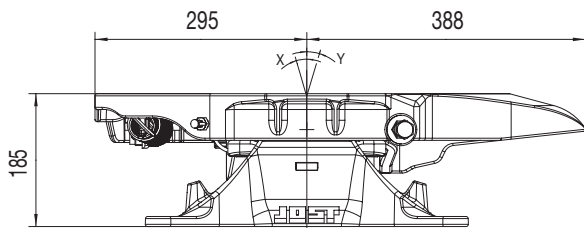


Fifth wheel couplings · JSK 34 Plate mounting

Advantages at a glance

- Lightweight 2" cast fifth wheel coupling
- Especially suitable for long distance transport, tank or silo trailers
- New hybrid bearing for increased comfort
- **Single handed operation with latch security system**



Selection table / Versions available

| Order No. | H (mm) | X | Y | D value (kN) | Imposed load U (t) | Weight (kg) | Approval (ECE) | WA | ZL | Sensoric |
|--------------------|--------|-----|-----|--------------|--------------------|-------------|----------------|---------|----|----------|
| JSK 34 H0 20 35 AA | 150 | 12° | 12° | 120 | 16 | 114 | E1 55R-01 2482 | Z | J | - |
| JSK 34 H0 20 39 AA | 150 | 12° | 12° | 120 | 16 | 114 | E1 55R-01 2482 | W | J | - |
| JSK 34 H0 20 87 AA | 150 | 12° | 12° | 120 | 16 | 114 | E1 55R-01 2482 | W+LT1P | J | - |
| JSK 34 H0 20 U3 AA | 150 | 12° | 12° | 120 | 16 | 122 | E1 55R-01 2482 | LT5P ST | J | - |
| JSK 34 H0 20 DA AA | 150 | 12° | 12° | 120 | 16 | 118 | E1 55R-01 2482 | LT5P ST | J | ST* |
| JSK 34 H0 38 35 AA | 185 | 15° | 15° | 120 | 16 | 117 | E1 55R-01 2482 | Z | J | - |
| JSK 34 H0 38 39 AA | 185 | 15° | 15° | 120 | 16 | 117 | E1 55R-01 2482 | W | J | - |
| JSK 34 H0 38 87 AA | 185 | 15° | 15° | 120 | 16 | 117 | E1 55R-01 2482 | W+LT1P | J | - |
| JSK 34 H0 38 U3 AA | 185 | 15° | 15° | 120 | 16 | 126 | E1 55R-01 2482 | LT5P ST | J | - |
| JSK 34 H0 38 C6 AA | 185 | 15° | 15° | 120 | 16 | 120 | E1 55R-01 2482 | Z | J | ST* |

Explanatory notes for the selection tables please refer to page 15.

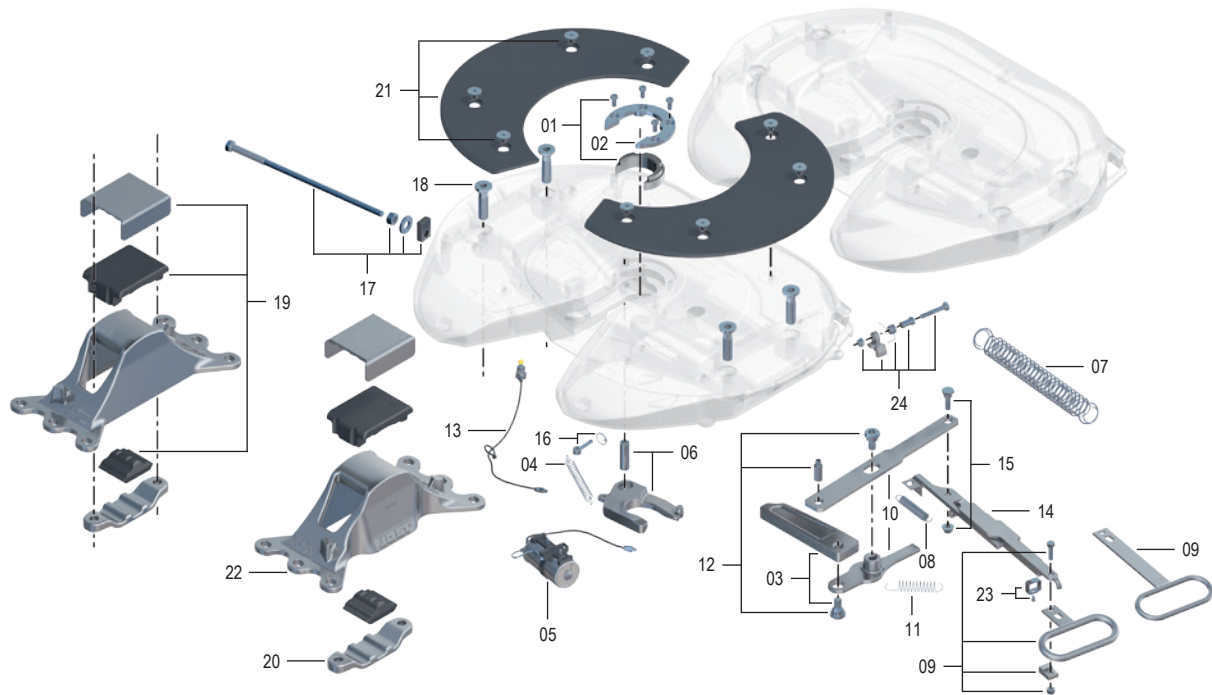
Technical Specification

Suitable for 2" king pins (class G50) as per ECE R55-01, DIN 74080, ISO 337 and steering wedges as per ECE R55-01, DIN 74085.

* Sensor couplings in the version ST (Standard) are complete sets, they are delivered incl. remote display (SKE501620200) and cable set (SKE002110300).

Fifth wheel couplings · JSK 34 Plate mounting

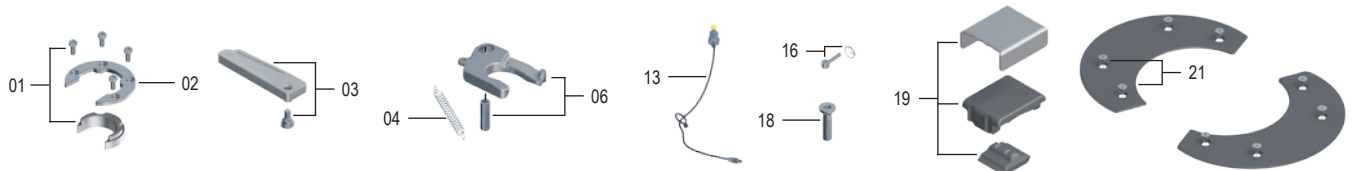
Spare parts



| Item | Description | Remark | Order No. | per JSK | Item | Description | Remark | Order No. | per JSK |
|------|-----------------------------|----------------------|--------------|---------|------|--|-------------------------|--------------|---------|
| 01 | Wearing part + mount. bolts | | SKE001740020 | 1 | 13 | Lubrication line | with cable tie | SK 3108-02 | 1 |
| 02 | Mounting ring | with 01 | SK 3105-94 | 1 | 14 | Lever | compl. with 08, 15 + 23 | SKE001174545 | 1 |
| 03 | Locking bolt + mount. bolts | | SKE009590120 | 1 | 15 | Lever bolt | | SKE001650020 | 1 |
| 04 | Tension spring | | SK 847 | 1 | 16 | Eye bolt | compl. | SK 2122-04 | 1 |
| 05 | LubeTronic 1Point, kit | with 01, 04, 06 + 16 | SKE004070100 | 1 | 17 | Adjusting screw with guide | | SKE500740720 | 1 |
| 06 | Lock jaw | with 04 + 13 | SK 3221-52Z | 1 | 18 | Bridge bolt | compl. | SKE001011400 | 4 |
| 07 | Double tension spring | | SK 3105-20 | 1 | 19 | Bearing wedges | with 18 | SKE001174547 | 2 |
| 08 | Locking spring | | SKE009770000 | 1 | 20 | Bridge | with 18 | SKE010300020 | 2 |
| 09 | Short handle L=150 mm | | SKE009200120 | 1 | 21 | Plastic top plate liner with screws (8x) | | SKE011080020 | 1 |
| 09 | Long handle L=310 mm | compl. with 14 + 23 | SKE009200220 | 1 | 22 | Pedestal BH 150 (ISO) | with 18 | SKE011090020 | 2 |
| 10 | Lever kit | with 11, 12 + 15 | SKE001174544 | 1 | 22 | Pedestal BH 185 (ISO) | with 18 | SKE011100020 | 2 |
| 11 | Lever spring | | SKE001009800 | 1 | 23 | Bracket with screws | with 18 | SKE009450020 | 1 |
| 12 | Lever bolts | | SKE001750020 | 1 | 24 | Latch | compl. | SKE011310020 | 1 |

For spare parts for LubeTronic 5Point and sensor fifth wheel coupling, see respective chapters

Repair and retrofit kits



| Item | Description | Order No. | Item | Description | Order No. |
|----------------------------|----------------------------|--------------|------|--|--------------|
| 01, 02, 03, 04, 06, 13, 16 | Repair kit for lock compl. | SKE117966300 | 21 | Repair kit for plastic top plate liner with screws | SKE011080020 |
| 18, 19 | Repair kit for bearing | SKE117966400 | | | |

Repair instructions at www.jost-world.com