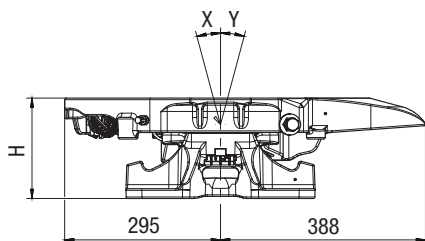
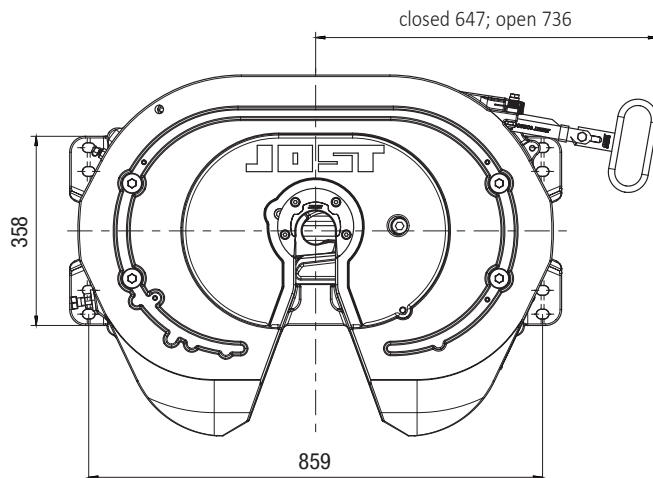


Fifth wheel couplings · JSK 34 H6 (IVECO) Frame mounting

Advantages at a glance

- Lightweight 2" cast fifth wheel coupling
- **Especially suitable for long distance transport, tank or silo trailers**
- Weight-optimised version for fitting to the frame or subframe of the IVECO tractor without a mounting plate
- New hybrid bearing for increased comfort
- **Single handed operation with latch security system**



Selection table / Versions available

Order No.	H (mm)	X	Y	D value (kN)	Imposed load U (t)	Weight (kg)	Approval (ECE)	WA	ZL	Sensoric
JSK 34 H6 40 35 AA	190	15°	15°	120	16	124	E1 55R-01 2482	Z	J	-
JSK 34 H6 40 39 AA	190	15°	15°	120	16	124	E1 55R-01 2482	W	J	-
JSK 34 H6 40 87 AA	190	15°	15°	120	16	124	E1 55R-01 2482	W+LT1P	J	-
JSK 34 H6 40 85 AA	190	15°	15°	120	16	130	E1 55R-01 2482	LT5P ST	J	-
JSK 34 H6 40 BC AA	190	15°	15°	120	16	126	E1 55R-01 2482	W+LT1P	J	ST*
JSK 34 H6 40 CY AA	190	15°	15°	120	16	133	E1 55R-01 2482	LT5P ST	J	ST*
JSK 34 H6 57 35 AA	225	15°	15°	120	16	127	E1 55R-01 2482	Z	J	-
JSK 34 H6 57 39 AA	225	15°	15°	120	16	127	E1 55R-01 2482	W	J	-
JSK 34 H6 57 87 AA	225	15°	15°	120	16	127	E1 55R-01 2482	W+LT1P	J	-
JSK 34 H6 57 85 AA	225	15°	15°	120	16	132	E1 55R-01 2482	LT5P ST	J	ST*
JSK 34 H6 57 CY AA	225	15°	15°	120	16	136	E1 55R-01 2482	LT5P ST	J	ST*

Explanatory notes for the selection tables please refer to page 15.

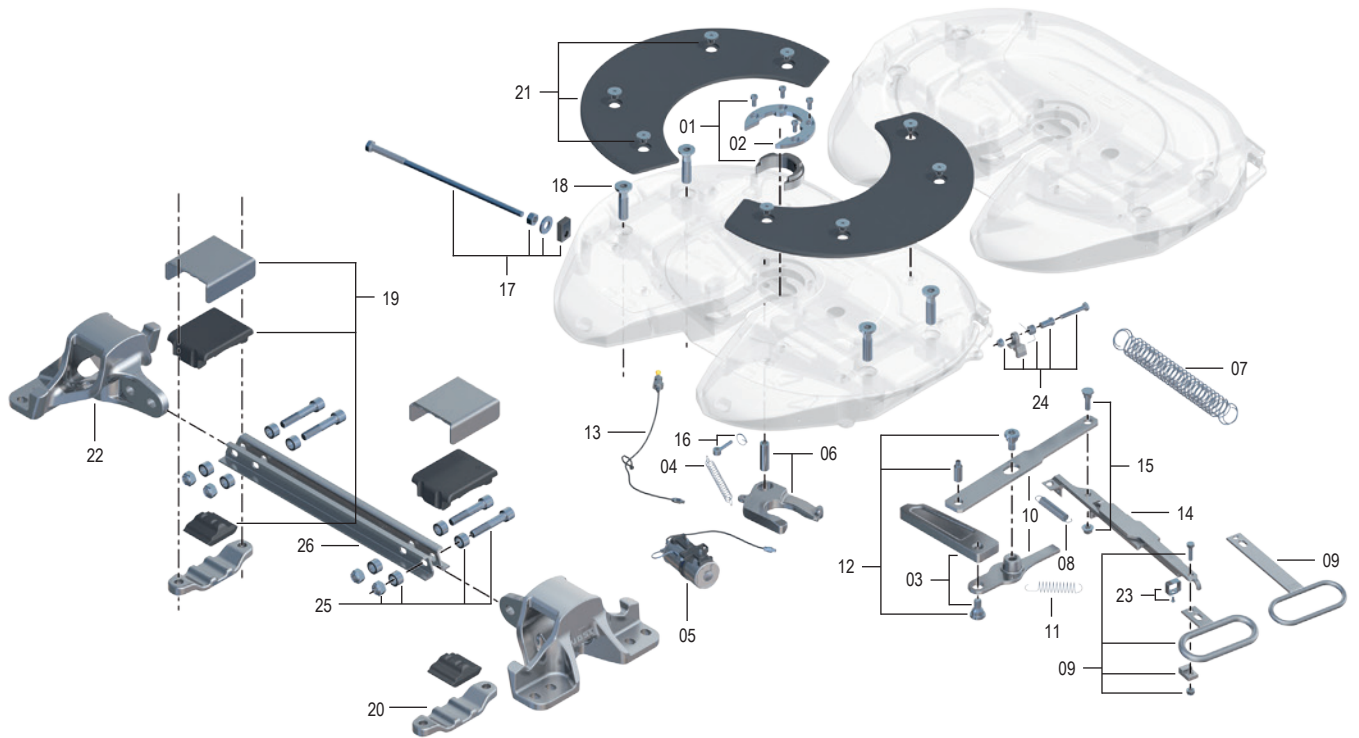
Technical Specification

Suitable for 2" king pins (class G50) as per ECE R55-01, DIN 74080, ISO 337 and steering wedges as per ECE R55-01, DIN 74085.

* Sensor couplings in the version ST (Standard) are complete sets, they are delivered incl. remote display (SKE501620200) and cable set (SKE002110300).

JSK 34 H6 (IVECO) Frame mounting

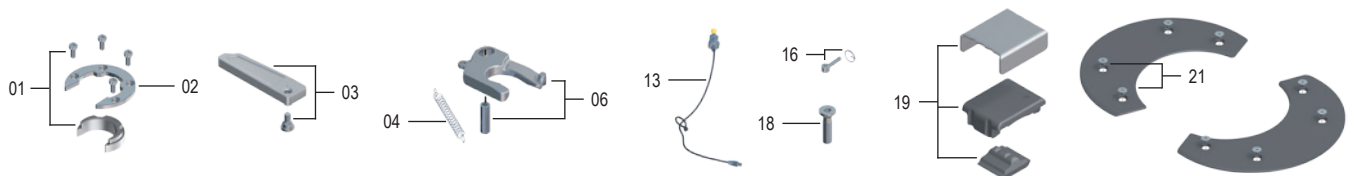
Spare parts



Item	Description	Remark	Order No.	per JSK	Item	Description	Remark	Order No.	per JSK
01	Wearing part + mount. bolts		SKE001740020	1	14	Lever	compl. with 08, 15 + 23	SKE001174545	1
02	Mounting ring	with 01	SK 3105-94	1	15	Lever bolt		SKE001650020	1
03	Locking bolt + mount. bolts		SKE009590120	1	16	Eye bolt	compl.	SK 2122-04	1
04	Tension spring		SK 847	1	17	Adjusting screw with guide		SKE500740720	1
05	LubeTronic 1Point, kit	with 01, 04, 06 + 16	SKE004070100	1	18	Bridge bolt	compl.	SKE001011400	4
06	Lock jaw	with 04 + 13	SK 3221-52Z	1	19	Bearing wedges	with 18	SKE001174547	2
07	Double tension spring		SK 3105-20	1	20	Bridge	with 18	SKE010300020	2
08	Locking spring		SKE009770000	1	21	Plastic top plate liner with screws (8x)		SKE011080020	1
09	Short handle L=150 mm		SKE009200120	1	22	Pedestals BH 190 (H6)	with 18, 25 + 26	SKE011040320	1
09	Long handle L=310 mm	compl. with 14 + 23	SKE009200220	1	22	Pedestals BH 225 (H6)	with 18, 25 + 26	SKE011560320	1
10	Lever kit	with 11, 12 + 15	SKE001174544	1	23	Bracket with screws	with 18	SKE009450020	1
11	Lever spring		SKE001009800	1	24	Latch	compl.	SKE011310020	1
12	Lever bolts		SKE001750020	1	25	Set of traverse screws		on request	1
13	Lubrication line	with cable tie	SK 3108-02	1	26	Traverse pedestal (H6)	with 25	SKE011320020	1

For spare parts for LubeTronic 5Point and sensor fifth wheel coupling, see respective chapters

Repair and retrofit kits



Item	Description	Order No.	Item	Description	Order No.
01, 02, 03, 04, 06, 13, 16, 18, 19	Repair kit for lock compl.	SKE117966300	21	Repair kit for plastic top plate liner with screws	SKE011080020
	Repair kit for bearing	SKE117966400			

Repair instructions at www.jost-world.com