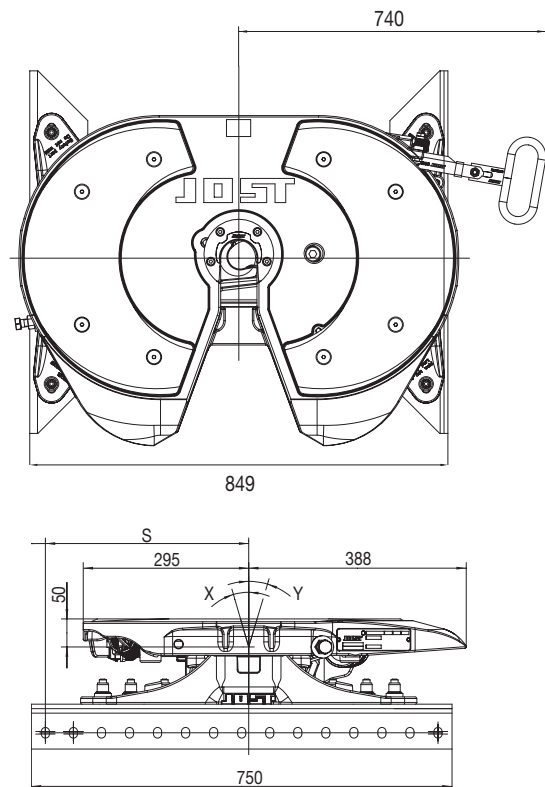


Fifth wheel couplings · JSK 34 H8 (Volvo) Frame mounting

Advantages at a glance

- Super lightweight 2" cast steel couplings
- **Especially suitable for long distance transport, tank or silo trailers**
- Weight-optimised version for fitting to the frame or subframe of the Volvo tractor without a mounting plate
- Single handed operation with latch security system
- New hybrid bearing for increased comfort
- Low-maintenance version with plastic top plate liner and LubeTronic 1Point for automatic lubrication of lock jaw



Selection table / Versions available

Order No.	H (mm)	S (mm)	X	Y	D value (kN)	Imposed load U (t)	Weight (kg)	Approval (ECE)	WA	Hole pattern versions ¹	ZL
JSK 34 H8 21 F3 AA	160	362,5	12°	12°	120	16	130	E1 55R-01 2482	W+LT1P	G	K
JSK 34 H8 21 F4 AA	160	337,5	12°	12°	120	16	130	E1 55R-01 2482	W+LT1P	H	K
JSK 34 H8 21 88 AA	160	362,5	12°	12°	120	16	130	E1 55R-01 2482	Z	G	K
JSK 34 H8 21 89 AA	160	337,5	12°	12°	120	16	130	E1 55R-01 2482	Z	H	K
JSK 34 H8 21 F7 AI	160	362,5	12°	12°	120	16	130	E1 55R-01 2482	LT5P	G	K
JSK 34 H8 21 F8 AI	160	337,5	12°	12°	120	16	130	E1 55R-01 2482	LT5P	H	K
JSK 34 H8 21 PO AI	160	362,5	12°	12°	120	16	135	E1 55R-01 2482	W+LT1P	G	K
JSK 34 H8 21 P9 AI	160	337,5	12°	12°	120	16	135	E1 55R-01 2482	W+LT1P	H	K
JSK 34 H8 44 F3 AA	200	362,5	17°	17°	120	16	135	E1 55R-01 2482	W+LT1P	G	K
JSK 34 H8 44 F4 AA	200	337,5	17°	17°	120	16	135	E1 55R-01 2482	W+LT1P	H	K
JSK 34 H8 44 88 AA	200	362,5	17°	17°	120	16	135	E1 55R-01 2482	Z	G	K
JSK 34 H8 44 89 AA	200	337,5	17°	17°	120	16	135	E1 55R-01 2482	Z	H	K
JSK 34 H8 44 F7 AI	200	362,5	17°	17°	120	16	135	E1 55R-01 2482	LT5P	G	K
JSK 34 H8 44 F8 AI	200	337,5	17°	17°	120	16	135	E1 55R-01 2482	LT5P	H	K
JSK 34 H8 44 PO AI	200	362,5	17°	17°	120	16	139	E1 55R-01 2482	W+LT1P	G	K
JSK 34 H8 44 P9 AI	200	337,5	17°	17°	120	16	139	E1 55R-01 2482	W+LT1P	H	K

¹ The G series can be converted to the H series (and vice versa) by switching the right and left pedestals to the opposite side. This causes the fifth wheel coupling to be displaced by 25 mm in relation to the attachment hole pattern of the tractor.

Explanatory notes for the selection tables please refer to page 15.

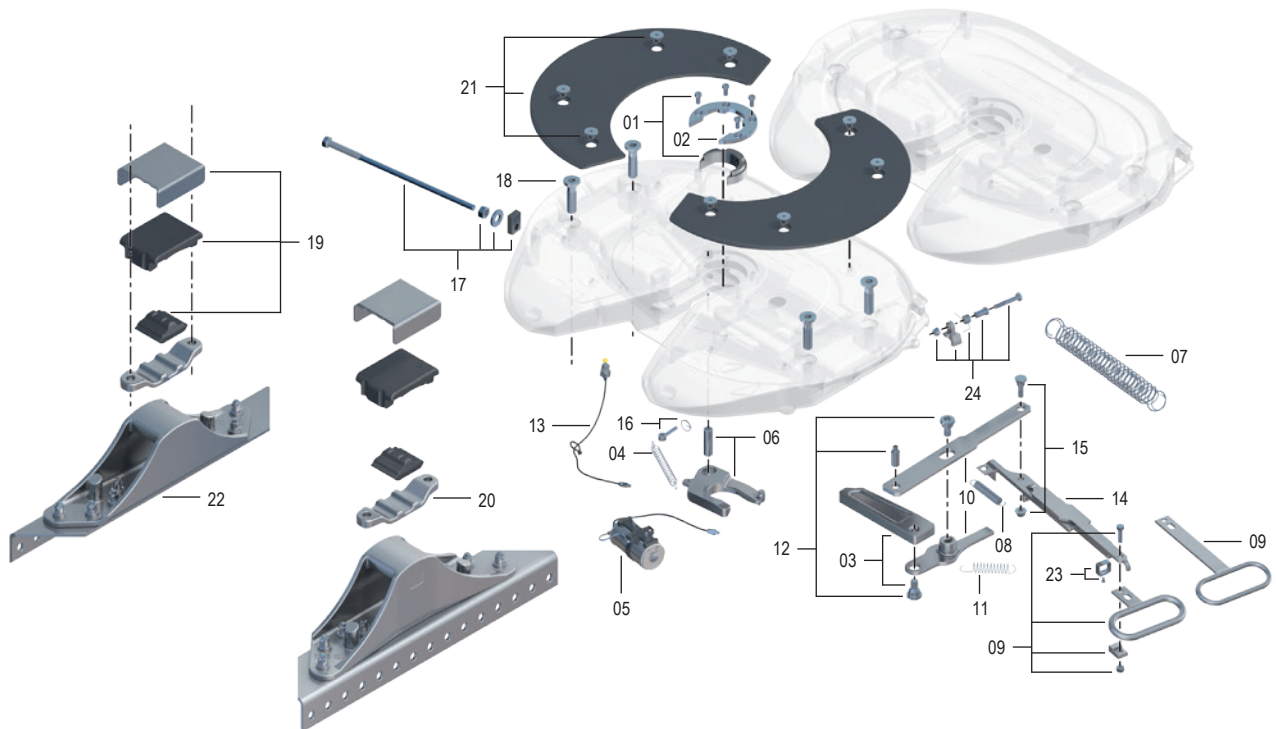
Technical Specification

Suitable for 2" king pins (class G50) as per ECE R55-01, DIN 74080, ISO 337 and steering wedges as per ECE R55-01, DIN 74085.

Mounting instructions at www.jost-world.com

JSK 34 H8 (Volvo) Frame mounting

Spare parts

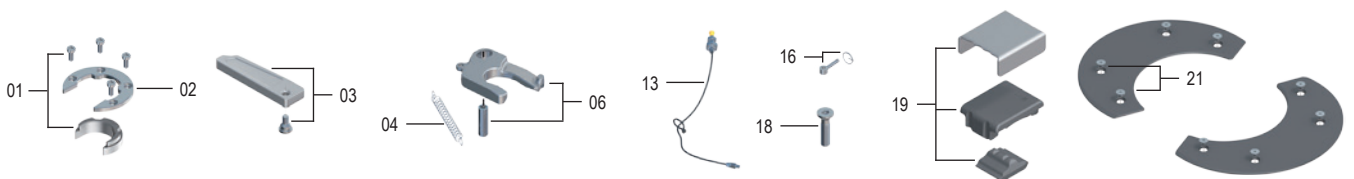


Item	Description	Remark	Order No.	per JSK	Item	Description	Remark	Order No.	per JSK
01	Wearing part + mount. bolts		SKE001740020	1	14	Lever	compl. with 08, 15 + 23	SKE001174545	1
02	Mounting ring	with 01	SK 3105-94	1	15	Lever bolt		SKE001650020	1
03	Locking bolt + mount. bolts		SKE009590120	1	16	Eye bolt	compl.	SK 2122-04	1
04	Tension spring		SK 847	1	17	Adjusting screw with guide		SKE500740720	1
05	LubeTronic 1Point, kit	with 01, 04, 06 + 16	SKE004070100	1	18	Bridge bolt		SKE001011400	4
06	Lock jaw	with 04 + 13	SK 3221-52Z	1	19	Bearing wedges	with 18	SKE001174547	2
07	Double tension spring		SK 3105-20	1	20	Bridge	with 18	SKE010300020	2
08	Locking spring		SKE009770000	1	21	Plastic top plate liner with screws (8x)		SKE011080020	1
09	Short handle L=150 mm		SKE009200120	1	22	Pedestals BH 160 (H8)*	with 18	SKE001174560	1
09	Long handle L=310 mm	compl. with 14 + 23	SKE009200220	1	22	Pedestals BH 200 (H8)*	with 18	SKE001174561	1
10	Lever kit	with 11, 12 + 15	SKE001174544	1	23	Bracket with screws	with 18	SKE009450020	1
11	Lever spring		SKE001009800	1	24	Latch	compl.	SKE011310020	1
12	Lever bolts		SKE001750020	1					
13	Lubrication line	with cable tie	SK 3108-02	1					

* consists of a right and left pedestal and four bridge bolt

For spare parts for LubeTronic 5Point and sensor fifth wheel coupling, see respective chapters

Repair and retrofit kits



Item	Description	Order No.	Item	Description	Order No.
01, 02, 03, 04, 06, 13, 16	Repair kit for lock compl.	SKE117966300	21	Repair kit for plastic top plate liner with screws	SKE011080020
18, 19	Repair kit for bearing	SKE117966400			