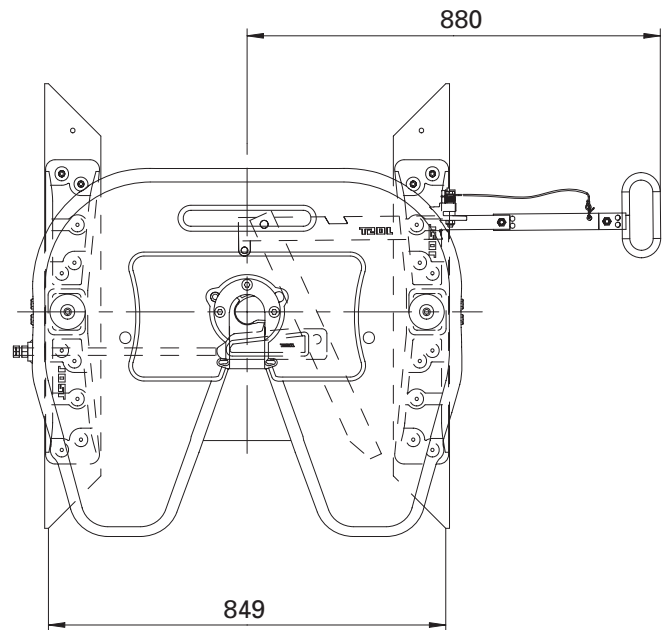
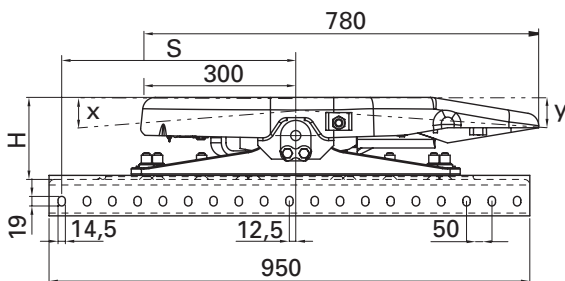


Fifth wheel couplings · JSK 36 DA (Volvo) Frame mounting

Advantages at a glance

- 2" fifth wheel coupling weight-optimised in pressed steel design
- Weight-optimised version for fitting to the frame or subframe of the Volvo tractor **without a mounting plate**
- Tappets for correct positioning of king pin during hitching
- Available with Fleetmaster Handle



Selection table / Versions available

Order No.	H (mm)	S (mm)	Hole pattern versions*	X	Y	D value (kN)	Imposed load U (t)	Weight (kg)	Approval (ECE)	ZL
JSK 36 DA 21 00 AW	160	462,5	E	15°	12°	135	18	147	E1 55R-01 0301	J
JSK 36 DA 21 00 AY	160	437,5	F	15°	12°	135	18	147	E1 55R-01 0301	J
JSK 36 DA 44 00 AW	200	462,5	E	15°	12°	135	18	152	E1 55R-01 0301	J
JSK 36 DA 44 00 AY	200	437,5	F	15°	12°	135	18	152	E1 55R-01 0301	J
JSK 36 DA 58 00 AW	230	462,5	E	15°	15°	135	18	158	E1 55R-01 0301	J
JSK 36 DA 58 00 AY	230	437,5	F	15°	15°	135	18	158	E1 55R-01 0301	J

* see pedestal versions/hole pattern versions

Explanatory notes for the selection tables please refer to page 15.

Fleetmaster Handle

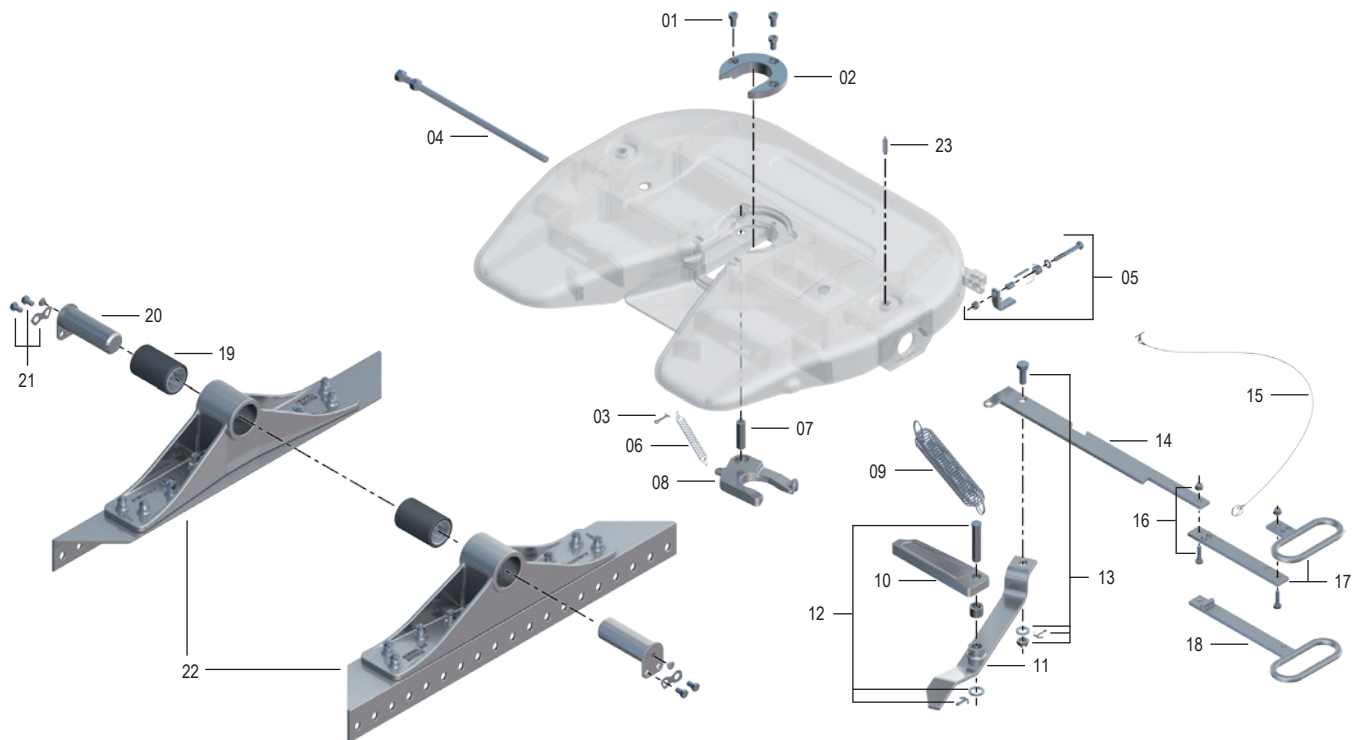
Order No.	Description	Weight (kg)
SKE070616416	compl.	2,00

Technical Specification

Suitable for 2" king pins (class G50) as per ECE R55-01, DIN 74080, ISO 337 and steering wedges as per ECE R55-01, DIN 74085.

JSK 36 DA (Volvo) Frame mounting

Spare parts



Item	Description	Remark	Order No.	per JSK
01	Socket head bolt		SK 2121-07	3
02	Wearing ring	with 01	SK 2121-51	1
03	Spring hook		SK 1974	1
04	Adjusting screw		SK 2905-51	1
05	Latch	compl.	SKE031215200	1
06	Tension spring		SK 847	1
07	Bolt		SK 2106-67	1
08	Lock jaw	with 03, 06, 07	SK 2921-10	1
09	Double tension spring		SK 3105-20	1
10	Locking bolt		SK 2905-06	1
11	Lever	with 12 + 13	SK 2107-25	1
12	Bar bolt	compl.	SK 2921-02	1
13	Fastening screw for handle	compl.	SK 1513	1
14	Locking bolt		SK 2905-106	1

Item	Description	Remark	Order No.	per JSK
15	Latch cord	compl.	SK 3521-02	1
16	Hexagon bolt	compl.	SK 2421-50	2
17	Short handle	compl. with 15 + 16	SK 3121-064	1
18	Long handle	compl. with 15 + 17	SK 2921-031	1
19	Rubber bushing		SK 2905-94	2
20	Pivot pin	with Plug	SK 2904-99	2
21	Hexagon bolts	compl.	SK 2921-038	2
22	Pedestals BH 160 (DA)	E + F*	SKE500010220	1
22	Pedestals BH 200 (DA)	E + F*	SKE500010120	1
22	Pedestals BH 230 (DA)	E + F*	SKE500010020	1

* The E series can be converted to the F series (and vice versa) by switching the right and left pedestals to the opposite side. This causes the fifth wheel coupling to be displaced by 25 mm in relation to the attachment hole pattern of the tractor.

Repair and retrofit kits



Item	Description	Order No.
01, 02, 06, 07, 08	Repair kit for lock	SK 3221-50
01, 02	Repair kit for lock	SK 2121-51
03, 06, 07, 08	Repair kit for lock	SK 2921-10
01, 02, 06, 07, 08, 13	Repair kit for lock	SK 3121-51

Item	Description	Order No.
19, 20, 21	Repair kit for bearing	SK 2921-051
oZ	Lubrication adapter	SKE005740000
oZ	Extraction tool for bearing	J 919/2