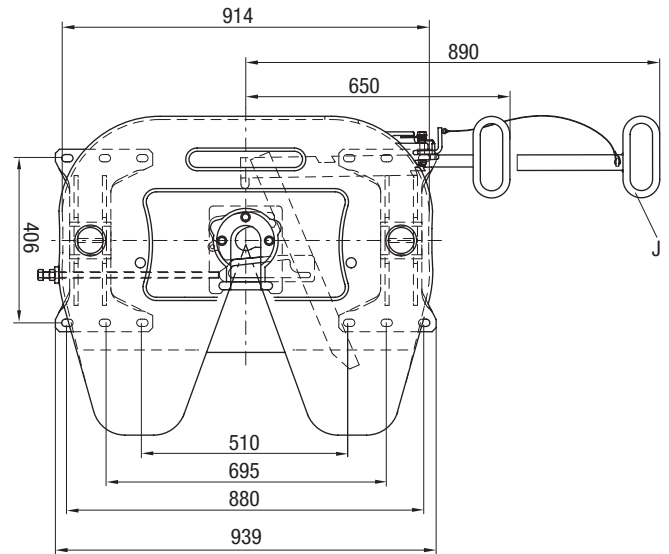
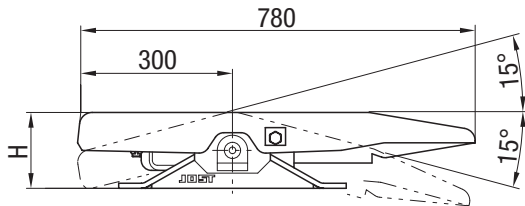


Fifth wheel couplings · JSK 36 DV

Advantages at a glance

- 2" fifth wheel coupling in weight-optimised pressed steel design
- Tappets for correct positioning of king pin during hitching
- Available with Fleetmaster Handle



Selection table / Versions available

Order No.	H (mm)	D value (kN)	Imposed load U (t)	Weight (kg)	Approval (ECE)	ZL	Sensoric
JSK 36 DV2	150	152	20	117	E1 55R-01 0301	K	-
JSK 36 DV2 J	150	152	20	118	E1 55R-01 0301	J	-
JSK 36 DV 20 C6 AA	150	152	20	122	E1 55R-01 0301	J	ST*
JSK 36 DV1	172	152	20	119	E1 55R-01 0301	K	-
JSK 36 DV1 J	172	152	20	120	E1 55R-01 0301	J	-
JSK 36 DV 31 C6 AA	172	152	20	125	E1 55R-01 0301	J	ST*
JSK 36 DV3	185	152	20	121	E1 55R-01 0301	K	-
JSK 36 DV3 J	185	152	20	122	E1 55R-01 0301	J	-
JSK 36 DV 38 C6 AA	185	152	20	127	E1 55R-01 0301	J	ST*
JSK 36 DV17 G	205	152	20	125	E1 55R-01 0301	K	-
JSK 36 DV17 GJ	205	152	20	126	E1 55R-01 0301	J	-
JSK 36 DV 47 C6 AA	205	152	20	128	E1 55R-01 0301	J	ST*
JSK 36 DV16 G	225	152	20	125	E1 55R-01 0301	K	-
JSK 36 DV16 GJ	225	152	20	126	E1 55R-01 0301	J	-
JSK 36 DV 57 C6 AA	225	152	20	130	E1 55R-01 0301	J	ST*

* Sensor couplings in the standard version are complete sets, which means that remote display (SKE501620200) and cable set (SKE00211300) are included in the delivery.

Explanatory notes for the selection tables please refer to page 15.

available with



Technical Specification

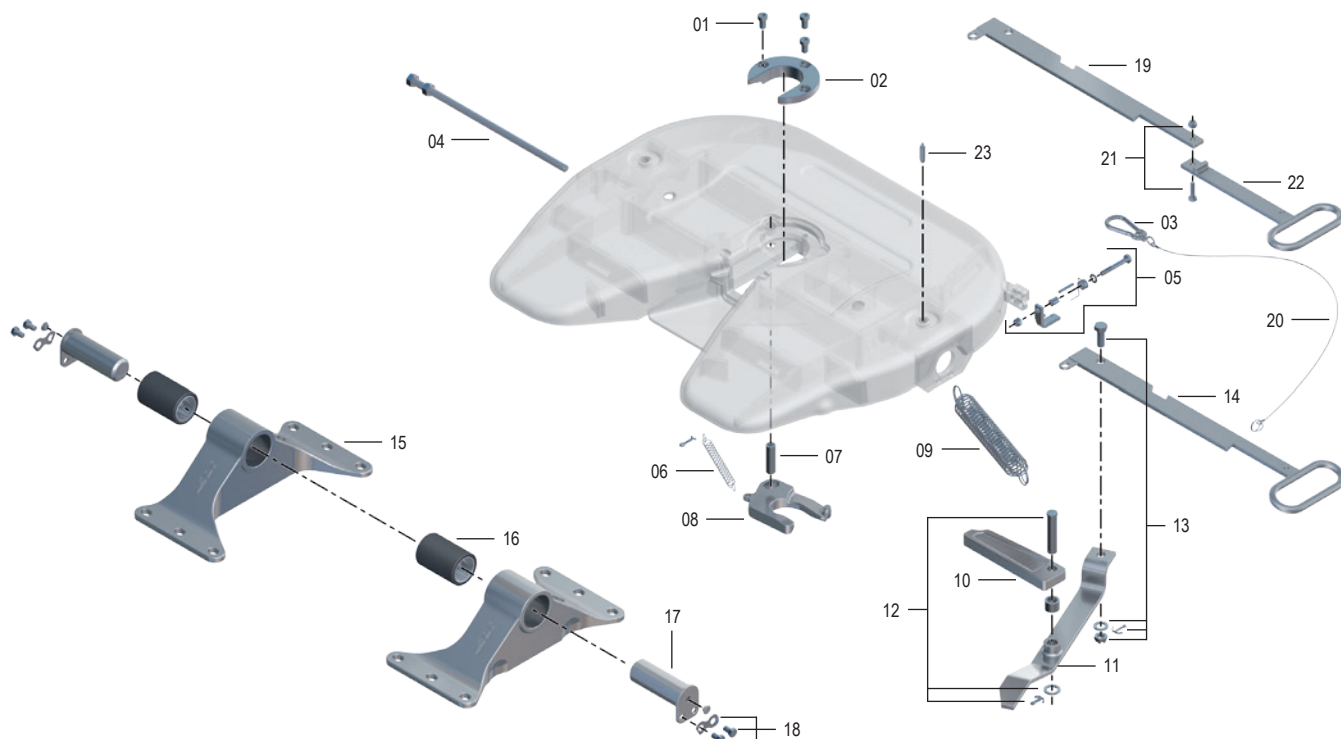
Suitable for 2" king pins (class G50) as per ECE R55-01, DIN 74080, ISO 337 and steering wedges as per ECE R55-01, DIN 74085.

Fleetmaster Handle

Order No.	Description	Weight (kg)
SKE070616416	compl.	2,00

JSK 36 DV

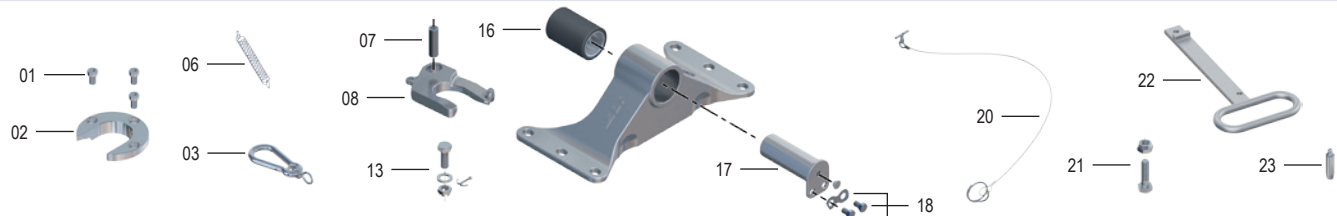
Spare parts



Item	Description	Remark	Order No.	per JSK
01	Socket head bolt		SK 2121-07	3
02	Wearing ring	with 01	SK 2121-51	1
03	Spring hook		SK 1436	1
04	Adjusting screw		SK 2905-51	1
05	Latch	compl.	SKE031215200	1
06	Tension spring		SK 847	1
07	Bolt		SK 2106-67	1
08	Lock jaw	with 03, 06, 07	SK 2921-10	1
09	Double tension spring		SK 3105-20	1
10	Locking bolt		SK 2905-06	1
11	Lever	with 12 + 13	SK 2107-25	1
12	Bar bolt	compl.	SK 2921-02	1
13	Fastening screw for handle	compl.	SK 1513	1

Item	Description	Remark	Order No.	per JSK
14	Short handle	compl. for type K	SK 2905-111	1
15	Pedestal BH 150 (ISO)		SKE501530001	2
15	Pedestal BH 172 (ISO)		SKE501540001	2
15	Pedestal BH 185 (ISO)		SKE501550001	2
15	Pedestal BH 205 (ISO)		SK 2904-105	2
15	Pedestal BH 225 (ISO)		SKE011880000	2
16	Rubber bushing	compl.	SK 2905-94	2
17	Pivot pin	with Plug	SK 2904-99	2
18	Hexagon bolts	compl.	SK 2921-038	2
19	Locking bolt	compl. for type J	SK 2905-106	1
20	Latch cord	compl. for type J	SK 3521-02	1
21	Hexagon bolt	compl. for type J	SK 2421-50	1
22	Long handle	compl. for type J	SK 3105-113	1

Repair and retrofit kits



Item	Description	Order No.
01, 02, 06, 07, 08	Repair kit for lock	SK 3221-50
01, 02	Repair kit for lock	SK 2121-51
06, 07, 08	Repair kit for lock	SK 3221-52
01, 02, 03, 06, 07, 08, 13	Repair kit for lock	SK 3121-50
01, 02, 06, 07, 08, 13	Repair kit for lock	SK 3121-51

Item	Description	Order No.
16, 17, 18	Repair kit for bearing	SK 2921-051
20, 21, 22	Handle extension compl.	SK 2921-031
23	Lubrication adapter	SKE005740000
oZ	Extraction tool for bearing	J 919/2
oZ	Fleetmaster retrofit kit	SKE070616416