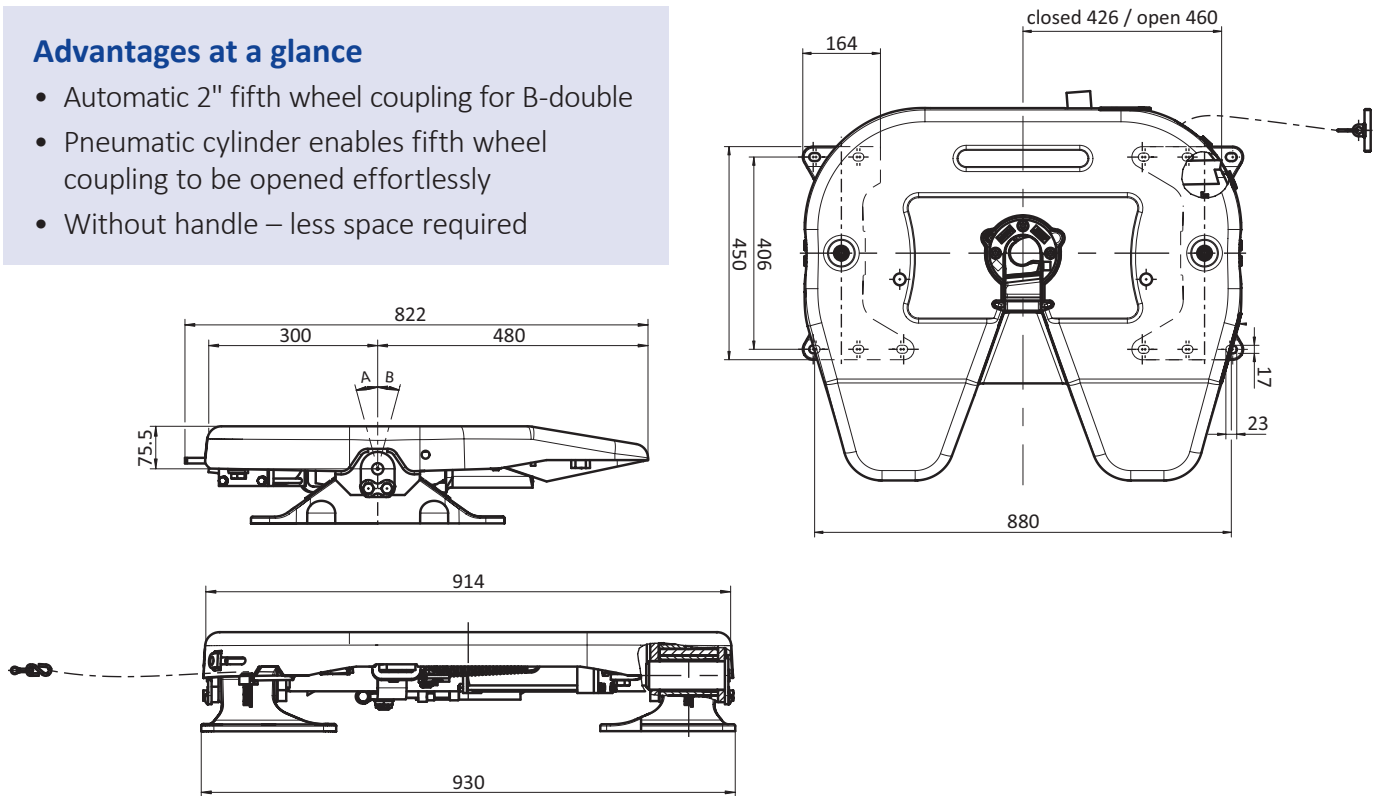


Fifth wheel couplings · JSK 36 DV Air Release

Advantages at a glance

- Automatic 2" fifth wheel coupling for B-double
- Pneumatic cylinder enables fifth wheel coupling to be opened effortlessly
- Without handle – less space required



Selection table / Versions available

Order No.	H (mm)	A	B	D value (kN)	Imposed load U (t)	Weight (kg)	Approval (ECE)	Sensoric
JSK 36 D0 20 50 BX	150	8°	12°	152	20	128	E1 55R-01 0301	X
JSK 36 D0 31 50 BX	172	15°	14°	152	20	130	E1 55R-01 0301	X
JSK 36 D0 38 50 BX	185	15°	15°	152	20	132	E1 55R-01 0301	X

Technical Specification

Suitable for 2" king pins (class G50) as per ECE R55-01, DIN 74080, ISO 337 and steering wedges as per ECE R55-01, DIN 74085.



Did you know that...

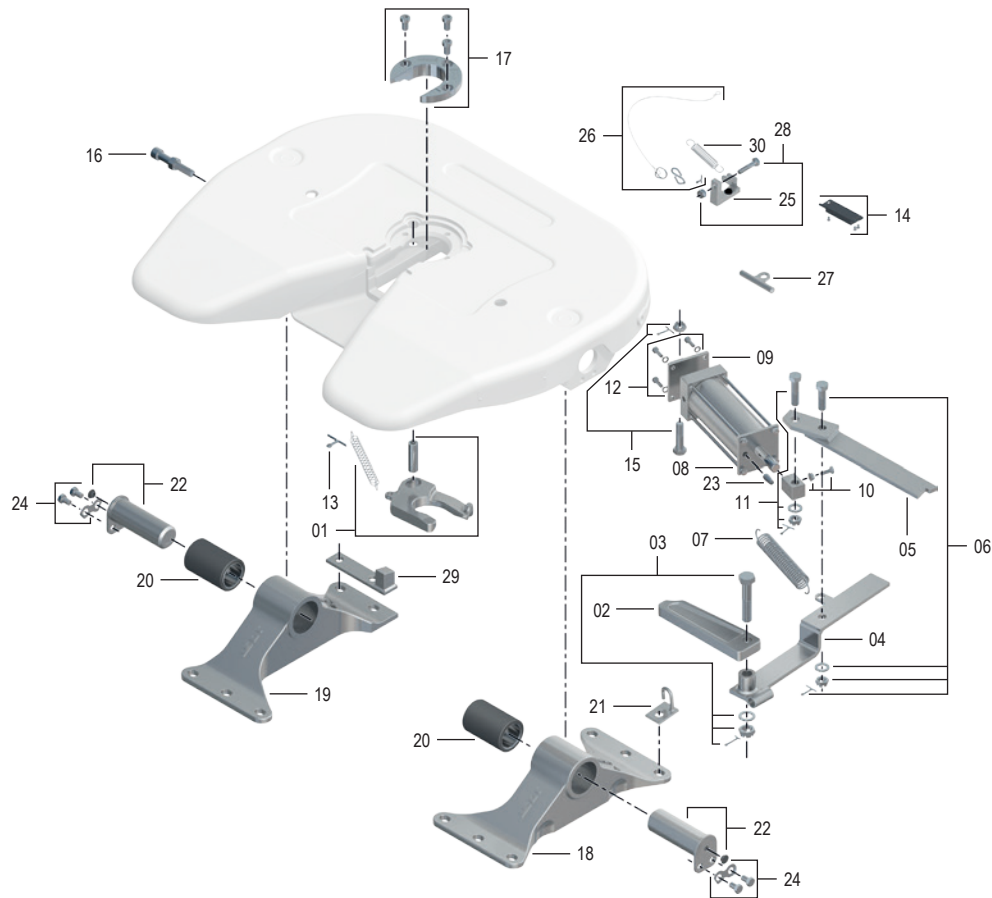
there is huge potential in the sector of long tractor-trailer units? The right trailer makes transport more efficient. As such, there are

B-double versions with telescopic axle group frames, known as a bogie. This combination comprises two standard components: the semitrailer and the tractor itself. The movable bogie is the connecting piece between the two and the automatic JOST fifth wheel coupling is located on it.

Note: Please ensure that pneumatic and electrical connectors must be provided on the vehicle prior to commencing operations of the automatic fifth wheel coupling. Installation instructions at www.jost-world.com

JSK 36 DV Air Release

Spare parts



Item	Description	Remark	Order No.	per JSK
01	Lock jaw compl.		SK 3221-52	1
02	Locking bolt		SK 2905-06	1
03	Bar bolt compl.		SK 3221-01	1
04	Lever		SKE290509200	1
05	Safety lever		SK 2905-68	1
06	Mounting kit for safety lever		SK 2921-17	1
07	Tension spring		SK 2405-26	1
08	Pneumatic cylinder	Please also exchange items 11 and 12	SK 2905-45	1
09	Mounting bracket		SK 2905-46	1
10	Cylinder mounting complete		SK 2921-19	1
11	Hexagon bolt compl.		SK 2921-18	1
12	Hexagon bolt compl.		SK 2921-20	1
13	Split pin		SK 1974	1
14	Sensor		SKE002331400	1
15	Hexagon bolt compl.		SK 2921-034	1
16	Adjusting screw compl.		SK 2122-58	1
17	Wear ring with cylinder screws		SK 2121-51	1
18	Pedestal right BH150		SK 2904-42	1

Item	Description	Remark	Order No.	per JSK
18	Pedestal right BH172		SK 2904-41	1
18	Pedestal rechts BH185		SK 2904-40	1
19	Pedestal left BH150		SK 2904-104-02	1
19	Pedestal left BH172		SK 2904-104-01	1
19	Pedestal left BH185		SK 2904-104-04	1
20	Rubber bushing		SK 2905-94	2
21	Support		SK 2905-84	1
22	Pivot pin with sealing plug		SK 2904-99	2
23	Silencer		SK 2122-19	1
24	Hexagon bolt compl.		SK 2921-29	2
25	Latch		SKE290513900	1
26	Latch cord with split pin and S-hook		SK 2921-036	1
27	Handle		SK 2905-82	1
28	Hexagon bolt compl.		SK 2921-035	1
29	Pitching angle stop BH150		SKE013870000	1
29	Pitching angle stop BH172 and BH185		SKE013870100	1
30	Tension spring		SK 847	1