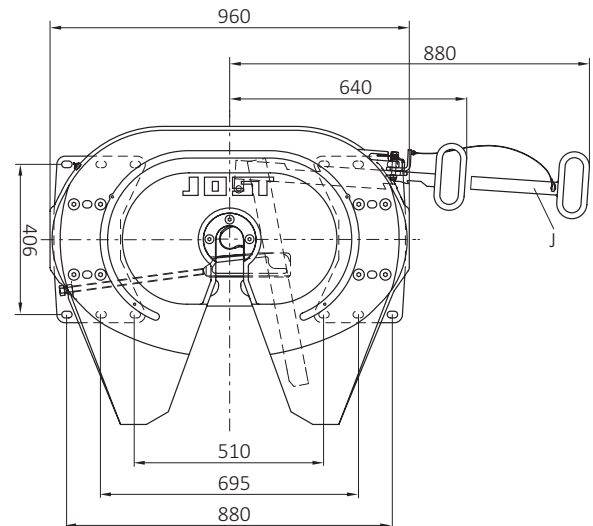
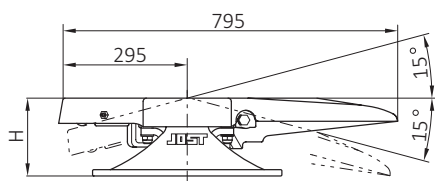


# Fifth wheel couplings · JSK 37 C

## Advantages at a glance

- Robust and universal 2" cast fifth wheel coupling
- Especially for use under poor road conditions
- **Also suitable for use in site traffic**
- Shock-absorbing rubber bearing
- Integrated automatic lubrication system LubeTronic 5Point and/or sensorsystem as options



## Technical Specification

Suitable for 2" king pins (class G50) as per ECE R55-01, DIN 74080, ISO 337 and steering wedges as per ECE R55-01, DIN 74085.

## Selection table / Versions available

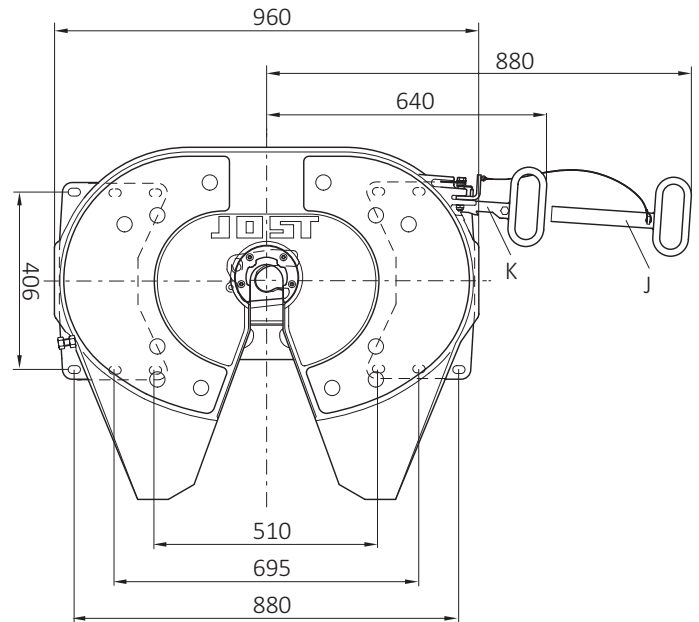
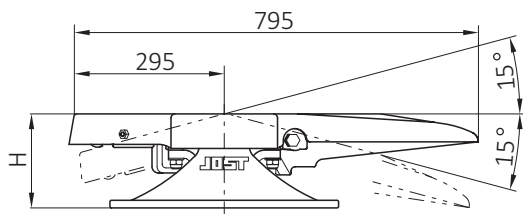
Order No.	H (mm)	D value (kN)	Imposed load U (t)	Weight (kg)	Approval (ECE)	WA	ZL	Sensoric
JSK 37 C150 Z	150	152	20	149.0	E1 55R-01 0116	Z	K	-
JSK 37 C150 ZJ	150	152	20	149.0	E1 55R-01 0116	Z	J	-
JSK 37 C0 20 U3 AA	150	152	20	149.5	E1 55R-01 0116	LT5P ST	J	-
JSK 37 C0 20 BG EE	150	152	20	149.5	E1 55R-01 0116	LT5P MB	J	-
JSK 37 C0 20 DO CL	150	152	20	149.5	E1 55R-01 0116	LT5P MAN	K	-
JSK 37 C0 20 T9 AI	150	152	20	149.5	E1 55R-01 0116	LT5P VT	K	-
JSK 37 C0 20 C6 AA	150	152	20	146.0	E1 55R-01 0116	Z	J	ST*
JSK 37 C0 20 M3 EX	150	152	20	146.0	E1 55R-01 0116	Z	J	MB
JSK 37 C0 20 DA AA	150	152	20	150.4	E1 55R-01 0116	LT5P ST	J	ST
JSK 37 C0 20 P2 AI	150	152	20	150.4	E1 55R-01 0116	LT5P VT	K	VT/RT
JSK 37 C185 Z	185	152	20	152.0	E1 55R-01 0116	Z	K	-
JSK 37 C185 ZJ	185	152	20	152.0	E1 55R-01 0116	Z	J	-
JSK 37 C0 38 U3 AA	185	152	20	154.7	E1 55R-01 0116	LT5P ST	J	-
JSK 37 C0 38 BG E	185	152	20	154.7	E1 55R-01 0116	LT5P MB	J	-
JSK 37 C0 38 DO CL	185	152	20	154.7	E1 55R-01 0116	LT5P MAN	K	-
JSK 37 C0 38 T9 AI	185	152	20	154.7	E1 55R-01 0116	LT5P VT	K	-
JSK 37 C0 38 C6 AA	185	152	20	151.0	E1 55R-01 0116	Z	J	ST*
JSK 37 C0 38 M3 EX	185	152	20	151.0	E1 55R-01 0116	Z	J	MB
JSK 37 C0 38 DA AA	185	152	20	155.5	E1 55R-01 0116	LT5P ST	J	ST*
JSK 37 C0 38 P2 AI	185	152	20	155.5	E1 55R-01 0116	LT5P VT	K	VT/RT
JSK 37 C250 Z	250	152	20	168.0	E1 55R-01 0116	Z	K	-
JSK 37 C250 ZJ	250	152	20	168.0	E1 55R-01 0116	Z	J	-
JSK 37 C0 70 U3 AA	250	152	20	169.9	E1 55R-01 0116	LT5P ST	J	-
JSK 37 C0 70 BG EE	250	152	20	169.9	E1 55R-01 0116	LT5P MB	J	-
JSK 37 C0 70 DO CL	250	152	20	169.9	E1 55R-01 0116	LT5P MAN	K	-
JSK 37 C0 70 C6 AA	250	152	20	169.9	E1 55R-01 0116	Z	J	ST*
JSK 37 C0 70 DA AA	250	152	20	170.7	E1 55R-01 0116	LT5P ST	J	ST*
JSK 37 C300 Z	300	152	20	178.0	E1 55R-01 0116	Z	K	-
JSK 37 C300 ZJ	300	152	20	178.0	E1 55R-01 0116	Z	J	-
JSK 37 C0 80 U3 AA	300	152	20	169.0	E1 55R-01 0116	LT5P ST	J	-

Explanatory notes for the selection tables please refer to page 15.

# Fifth wheel couplings · JSK 37 CW

## Advantages at a glance

- Robust and universal 2" cast fifth wheel coupling
- Especially for use under poor road conditions
- Low-maintenance with plastic top plate liner and **LubeTronic 1Point** as a standard feature **for automatic lubrication of lock jaw**



## Selection table / Versions available

Order No.	H (mm)	D value (kN)	Imposed load U (t)	Weight (kg)	Approval (ECE)	WA	ZL	Sensoric
JSK 37 C0 20 87 AA	150	152	20	150	E1 55R-01 0116	W+LT1P	J	-
JSK 37 C0 20 C7 AA	150	152	20	146	E1 55R-01 0116	W	J	ST*
JSK 37 C0 20 BE EE	150	152	20	146	E1 55R-01 0116	W+LT1P	J	MB**
JSK 37 C0 20 P4 AI	150	152	20	146	E1 55R-01 0116	W+LT1P	K	VT/RT**
JSK 37 C0 38 87 AA	185	152	20	153	E1 55R-01 0116	W+LT1P	J	-
JSK 37 C0 38 C7 AA	185	152	20	146	E1 55R-01 0116	W	J	ST*
JSK 37 C0 38 BE EE	185	152	20	146	E1 55R-01 0116	W+LT1P	J	MB**
JSK 37 C0 38 P4 AI	185	152	20	146	E1 55R-01 0116	W+LT1P	K	VT/RT**
JSK 37 C0 70 87 AA	250	152	20	153	E1 55R-01 0116	W+LT1P	J	-
JSK 37 C0 70 C7 AA	250	152	20	146	E1 55R-01 0116	W	J	ST*
JSK 37 C0 80 87 AA	300	152	20	153	E1 55R-01 0116	W+LT1P	J	-

Explanatory notes for the selection tables please refer to page 15.

available with



## Technical Specification

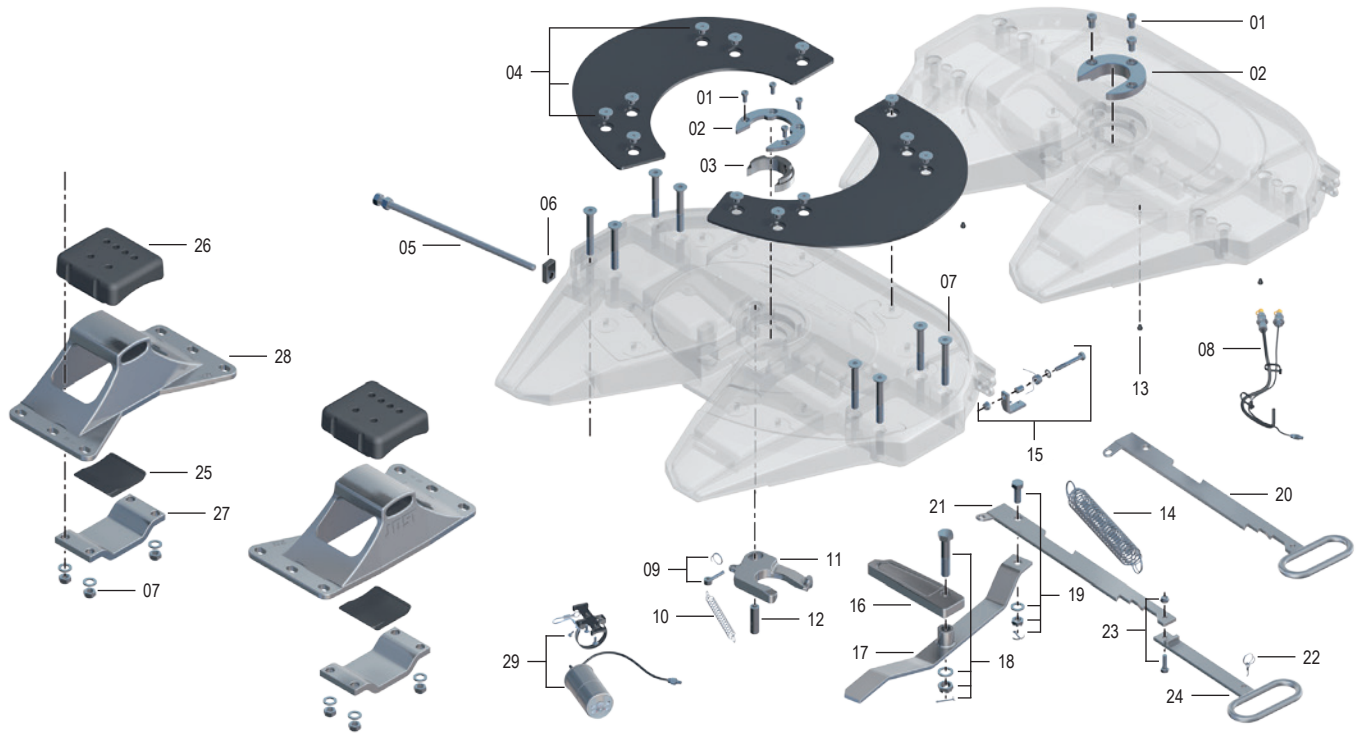
Suitable for 2" king pins (class G50) as per ECE R55-01, DIN 74080, ISO 337 and steering wedges as per ECE R55-01, DIN 74085.

\* Sensor couplings in the version ST (Standard) are complete sets, they are delivered incl. remote display (SKE501620200) and cable set (SKE002110300).

\*\* For using sensor coupling versions MB and VT, the truck has to be prepared ex factory for sensors by the manufacturer.

# JSK 37 C / CW

## Spare parts



Item	Description	Remark	Order No.	per JSK
01	Socket head bolt	for JSK37CZ	SK 2121-07	3
01	Socket head bolt	for JSK37CW	SK 3121-55	4
02	Wearing ring	for JSK37CZ	SK 2105-19	1
02	Mounting ring	for JSK37CW	SK 3105-93	1
03	Wearing part	for JSK37CW	SK 3105-92	1
02	Spring hook	up to xx24xxxxxx	SK 1436	1
04	Plastic top plate liner	compl. with screws	SK 3106-003	1
05	Adjusting screw	for JSK37CZ	SK 3105-150	1
05	Adjusting screw	for JSK37CW	SKE500740220	1
06	Guide		SK 3205-07	1
07	Countersunk bolt	compl.	SK 2121-15	8
02	Lubrication tube		SK 1989	1
02	Nut and bolt		SK 1976	1
08	Lubrication line	for JSK37CZ, with cable tie	SK 3108-02	1
09	Eye bolt	compl.	SK 2122-04	1
10	Tension spring		SK 847	1
11	Lock jaw	with cable tie	SK 1489 Z	1
11	Lock jaw	for LT1P	SKE004090000	1
12	Bolt		SK 2106-67	1
13	Threaded stopper		000.010.021	4

Item	Description	Remark	Order No.	per JSK
14	Double tension spring		SK 3105-20	1
15	Latch	compl.	SKE003121520	1
16	Locking bolt		SK 3205-06	1
17	Lever		SK 3105-18	1
18	Bar bolt	compl.	SK 3221-01	1
19	Hexagon bolt	compl.	SK 1513	1
20	Short handle	for type K	SK 3105-15	1
21	Locking bar	for type J	SK 3105-115	1
22	Latch cord	compl. for type J	SK 3521-02	1
23	Hexagon bolt	compl. for type J	SK 2421-50	1
24	Long handle	for type J	SK 3105-113	1
25	Rubber cushion, lower		SK 2105-25	2
26	Rubber cushion, upper		SK 1259	2
27	Bridge		SK 1372	2
28	Pedestal BH 150 (ISO)		SK 2104-02	2
28	Pedestal BH 185 (ISO)		SK 2104-01	2
28	Pedestal BH 220 (ISO)		SKE501780000	2
28	Pedestal BH 250 (ISO)		SK 2104-14	2
28	Pedestal BH 300 (ISO)		SK 2104-20	2

## Repair and retrofit kits

Item	Description	Order No.
01, 02, 10, 11, 12	Repair kit for lock for type C	SK 3221-50
10, 11, 12	Repair kit for lock for type C	SK 3221-52
01, 02	Repair kit for lock for type C/CZ	SK 2121-51
01, 02, 08, 10, 11, 12	Repair kit for lock for type CZ	SK 3221-50 Z
08, 10, 11, 12	Repair kit for lock for type CZ	SK 3221-52 Z
01, 02, 03, 02, 10, 11, 12	Repair kit for lock for type JSK37CW	SK 3121-60 Z
07, 25, 26	Repair kit for bearing	SK 2121-69

Item	Description	Order No.
08, 11	Retrofit kit for type C on CZ	SK 3108-05
02, 22, 23	Retrofit kit handle extension compl.	SK 3121-063
01, 02, 08, 09, 10, 11, 12, 16, 18, 19	Repair kit for lock	SK 3121-072 Z
01, 02, 03, 10, 11, 12, 29	Repair kit for LT1P compl.	SKE004070100