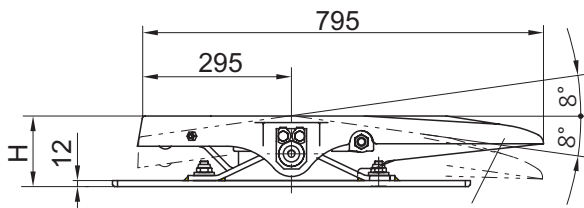
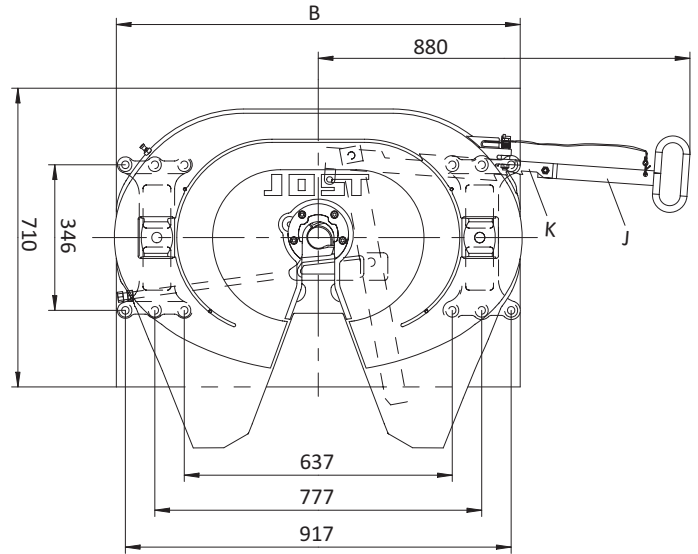


Fifth wheel couplings · JSK 37 ME 140 / ME 140W

Advantages at a glance

- Robust and universal 2" fifth wheel cast coupling
- **Very low mounting height of 128 mm**
- Integrated mounting plate of 12 mm
- Low-maintenance version with plastic top plate liner and a lubricating point for the lock



JSK 37 E8-128J

Selection table / Versions available

Order No. (SK + MP)	H (mm)	B (mm)	D value (kN)	Imposed load U (t)	Weight (kg)	Approval (ECE) Fifth wheel Coupling	WA	Mounting plate
JSK 37 ME 140 A1	140	960	126	15	191	E1 55R-01 0294	Z	MP 0813-064
JSK 37 ME 140 A1 W	140	960	126	15	191	E1 55R-01 0294	W	MP 0813-064
JSK 37 ME 140 D1	140	960	126	15	188	E1 55R-01 0294	Z	MP 0844-120
JSK 37 ME 140 D1 W	140	960	126	15	187	E1 55R-01 0294	W	MP 0844-120
JSK 37 ME 140 E1	140	1050	126	15	197	E1 55R-01 0294	Z	MP 0815-074
JSK 37 ME 140 E1 W	140	1050	126	15	197	E1 55R-01 0294	W	MP 0815-074

Explanatory notes for the selection tables please refer to page 15.

available with

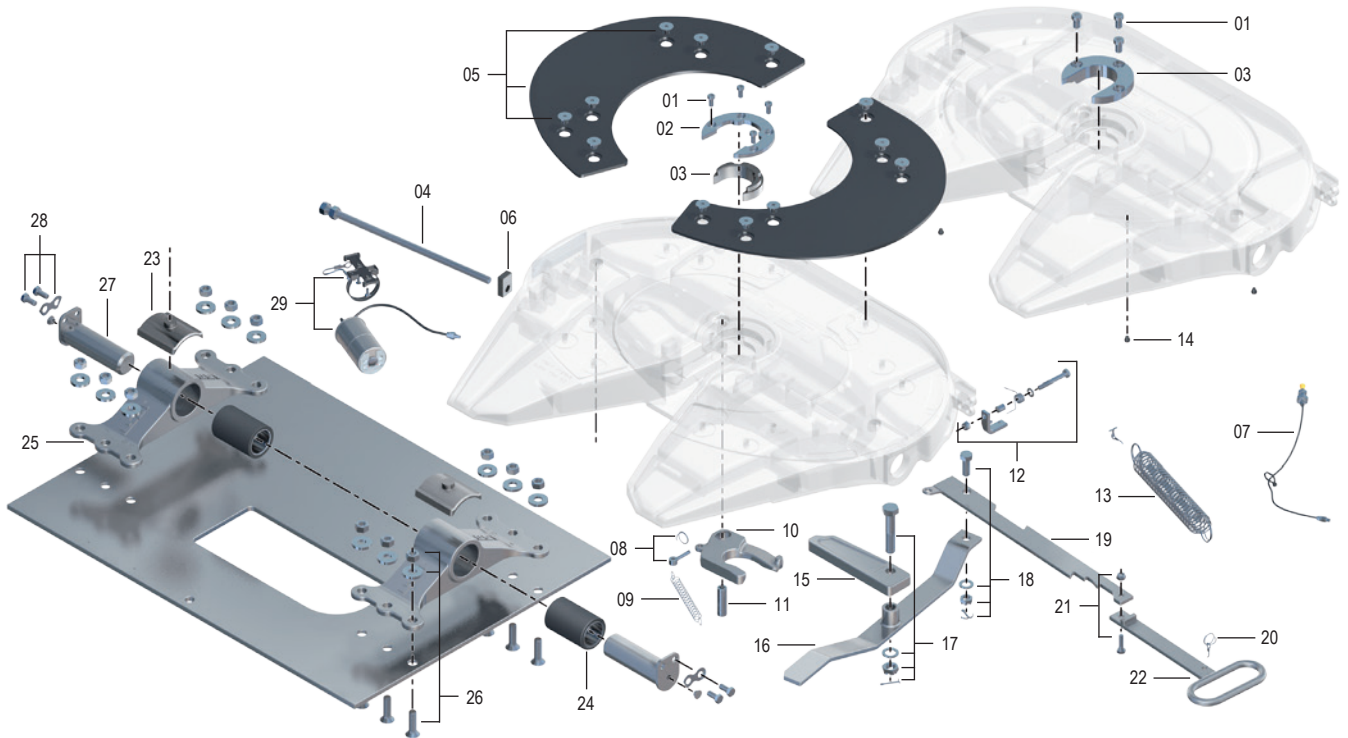


Technical Specification

Suitable for 2" king pins (class G50) as per ECE R55-01, DIN 74080, ISO 337 and steering wedges as per ECE R55-01, DIN 74085.

JSK 37 ME 140 / ME 140 W

Spare parts



Item	Description	Remark	Order No.	per JSK	Item	Description	Remark	Order No.	per JSK
01	Socket head bolt	up to xx31xxxxxx	SK 2121-07	3	13	Double tension spring		SK 3105-20	1
01	Socket head bolt	from xx34xxxxxx	SK 3121-55	4	14	Threaded stopper		000.010.021	4
02	Mounting ring	from xx34xxxxxx	SK 3105-94	1	15	Locking bolt		SK 3205-06	1
03	Wearing ring	up to xx31xxxxxx	SK 2121-51	1	16	Lever		SK 3105-18	1
03	Wearing part + mount. bolt	from xx34xxxxxx	SKE001740020	1	17	Bar bolt	compl.	SK 3221-01	1
04	Adjusting screw		SKE500740220	1	18	Hexagon bolt	compl.	SK 1513	1
05	Plastic top plate liner	compl. with screws	SK 3106-003	1	19	Locking bar		SK 3105-115	1
06	Guide		SK 3205-07	1	20	Latch cord	compl.	SK 3521-02	1
07	Lubrication tube	up to xx31xxxxxx	SK 1989	1	21	Hexagon bolt	compl.	SK 2421-50	1
07	Lubrication line	compl. with cable tie	SK 3108-02	1	22	Long handle	for type J	SK 3105-113	1
08	Eye bolt	compl.	SK 2122-04	1	23	Collar		SK 3105-95	2
09	Tension spring		SK 847	1	24	Rubber bushing	compl.	SK 2905-94	2
10	Lock jaw	with 07, 09, 11	SK 3221-52 Z	1	25	Pedestal BH 140		SK 3104-039	2
11	Bolt		SK 2106-67	1	26	Mounting kit		SK 3110-011	1
12	Latch	compl.	SKE0031215200	1	27	Pivot pin	with plug	SK 3104-05	2
					28	Hexagon bolts	compl.	SK 3121-071	2

Repair and retrofit kits

Item	Description	Order No.	Item	Description	Order No.
01, 03, 07, 09, 10, 11	Repair kit for lock up to xx31xxxxxx	SK 3221-50 Z	23, 24, 27, 28	Repair kit for bearing from xx31xxxxxx	SK 3121-61
01, 03, 07, 09, 10, 11, 18	Repair kit for lock up to xx31xxxxxx	SK 3121-56 Z	07, 21, 22	Retrofit kit handle extension compl. for type C/CZ	SK 3121-063
01, 02, 03, 07, 09, 10, 11	Repair kit for lock from xx34xxxxxx	SK 3121-60 Z	01, 03, 07, 09, 10, 11, 15, 17, 18	Repair kit for lock up to xx31xxxxxx	SK 3121-072 Z
24, 27, 28	Repair kit for bearing up to xx28xxxxxx	SK 3121-58	01, 02, 03, 09, 10, 11, 29	Repair kit for LT1P compl.	SKE004070100