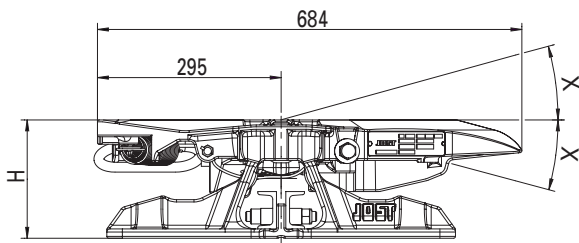
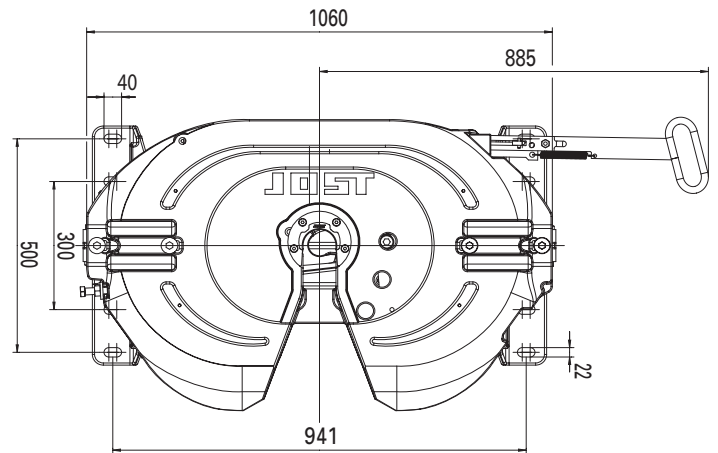


# Fifth wheel couplings · JSK 40 K9 Frame mounting

## Advantages at a glance

- Weight-optimised 2" fifth wheel cast coupling
- **Weight-optimised version for fitting to the frame or subframe**
- Protects the chassis dues to its longitudinal elasticity (lateral movement)
- Low-maintenance version with plastic top plate liner and LubeTronic 1Point for automatic lubrication of lock jaw



available with



## Selection table / Versions available

### Frame mounting

Order No.	H (mm)	X	D value (kN)	Imposed load U (t)	Weight (kg)	Approval (ECE)	WA	ZL	Sensoric
JSK 40 K9 20 35 BB	150	13°	152	20	141.0	E1 55R-01 1245	Z	J	-
JSK 40 K9 20 87 BB	150	13°	152	20	142.0	E1 55R-01 1245	W+LT1P	J	-
JSK 40 K9 20 BS BB	150	13°	152	20	145.5	E1 55R-01 1245	LT5P MB	J	-
JSK 40 K9 20 M3 BB	150	13°	152	20	141.5	E1 55R-01 1245	Z	J	MB
JSK 40 K9 20 BC BB	150	13°	152	20	142.0	E1 55R-01 1245	W+LT1P	J	MB
JSK 40 K9 20 BM BB	150	13°	152	20	146.0	E1 55R-01 1245	LT5P MB	J	MB
JSK 40 K9 40 35 BB	190	16°	152	20	145.0	E1 55R-01 1245	Z	J	-
JSK 40 K9 40 87 BB	190	16°	152	20	146.0	E1 55R-01 1245	W+LT1P	J	-
JSK 40 K9 40 BS BB	190	16°	152	20	149.5	E1 55R-01 1245	LT5P MB	J	-
JSK 40 K9 40 M3 BB	190	16°	152	20	145.5	E1 55R-01 1245	Z	J	MB
JSK 40 K9 40 BC BB	190	16°	152	20	146.0	E1 55R-01 1245	W+LT1P	J	MB
JSK 40 K9 40 BM BB	190	16°	152	20	150.0	E1 55R-01 1245	LT5P MB	J	MB
JSK 40 K9 57 35 BB	225	25°	152	20	147.5	E1 55R-01 1245	Z	J	-
JSK 40 K9 57 87 BB	225	25°	152	20	148.5	E1 55R-01 1245	W+LT1P	J	-
JSK 40 K9 57 BS BB	225	25°	152	20	149.5	E1 55R-01 1245	LT5P MB	J	-
JSK 40 K9 57 M3 BB	225	25°	152	20	148.5	E1 55R-01 1245	Z	J	MB
JSK 40 K9 57 BC BB	225	25°	152	20	148.0	E1 55R-01 1245	W+LT1P	J	MB
JSK 40 K9 57 BM BB	225	25°	152	20	150.4	E1 55R-01 1245	LT5P MB	J	MB

Explanatory notes for the selection tables please refer to page 15.

\* Actros from MP4

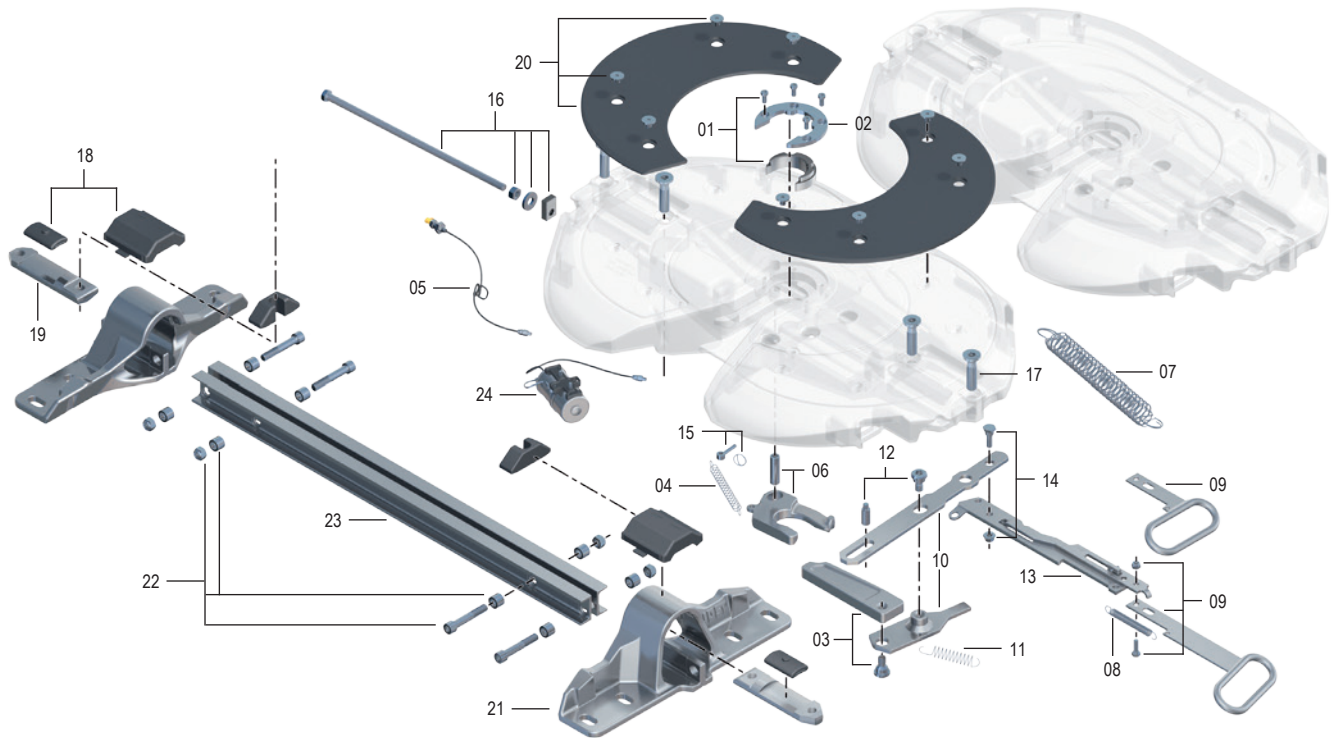
For using sensor coupling versions MB, the truck has to be prepared ex factory for sensors by the manufacturer.

### Technical Specification

Suitable for 2" king pins (class G50) as per ECE R55-01, DIN 74080, ISO 337 and steering wedges as per ECE R55-01, DIN 74085.

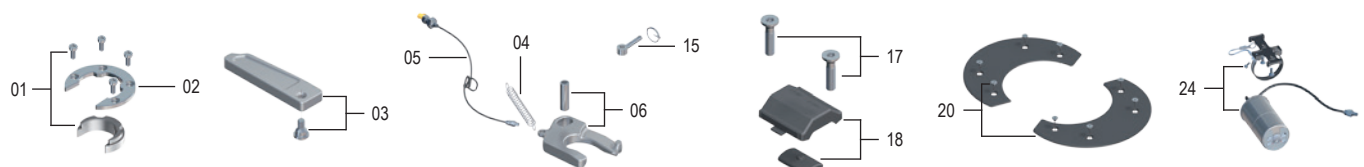
# JSK 40 K9 Frame mounting

## Spare parts



Item	Description	Remark	Order No.	per JSK	Item	Description	Remark	Order No.	per JSK
01	Wearing part + mount. bolts		SKE001740020	1	14	Lever bolt		SKE001650020	1
02	Mounting ring	with 01	SK 3105-94	1	15	Eye bolt	compl.	SK 2122-04	1
03	Locking bolt + mount. bolt		SKE001009720	1	16	Adjusting screw with guide		SKE500740420	1
04	Tension spring		SK 847	1	17	Bridge bolt		SKE001011400	4
05	Lubrication line	with cable tie	SK 3108-02	1	18	Collar	with 17	SKE001370020	2
06	Lock jaw	with 04 + 05	SK 3221-52 Z	1	19	Bridge	with 17	SKE001530220	2
07	Double tension spring		SK 3105-20	1	20	Plastic top plate liner with screws (8x)		SKE001007020	1
08	Locking spring		SKE001440000	1	21	Pedestal BH 150 (K9)	with 17	SKE001500120	2
09	Short handle	with 08, L = 220 mm	SKE001390020	1	21	Pedestal BH 190 (K9)	with 17	SKE001510120	2
09	Long handle	with 08, L = 390 mm	SKE001390120	1	21	Pedestal BH 225 (K9)	with 17	SKE001520120	2
10	Lever kit	with 11 + 12	SKE001380020	1	22	Set of traverse screws		SKE002770020	1
11	Lever spring		SKE001009800	1	23	Traverses BH 150 (K9)	with 22	SKE001570120	1
12	Lever bolts		SKE001750020	1	23	Traverses BH 190 (K9)	with 22	SKE001590120	1
13	Lever	with 14	SKE001620020	1	23	Traverses BH 225 (K9)	with 22	SKE001590120	1

## Repair and retrofit kits



Item	Description	Order No.
01, 02, 03, 04, 05, 06, 15	Repair kit for lock	SKE001640020
17, 18	Repair kit for bearing	SKE001370220

Item	Description	Order No.
20	Repair kit for plastic top plate liner with screws	SKE001007020
01, 02, 06, 24	Repair kit for LTIP compl.	SKE004070100

Spare parts for sensoric please refer to sensor coupling.

Spare parts for LubeTronic 5Point please refer to LubeTronic 5Point.

Repair instructions at [www.jost-world.com](http://www.jost-world.com)