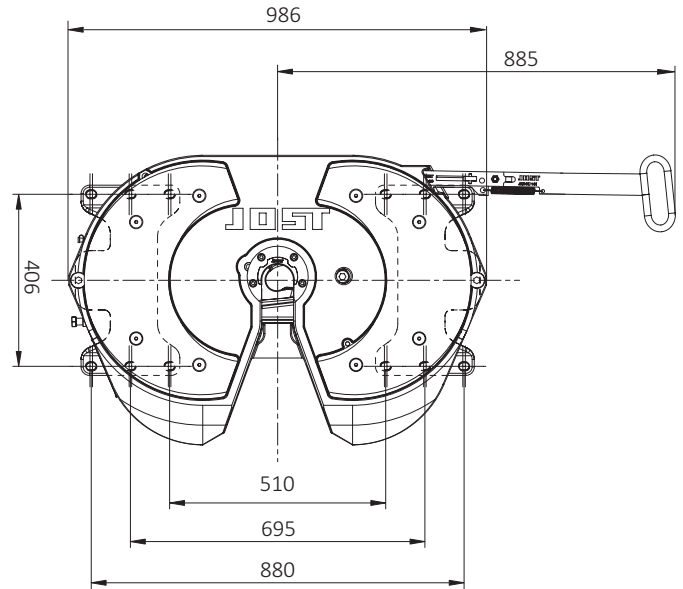
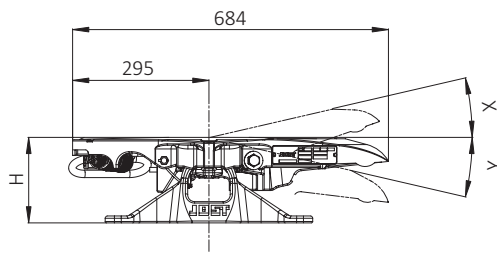


Fifth wheel couplings · JSK 42 Plate mounting

Advantages at a glance

- Light 2" fifth wheel cast coupling with slide bearing
- Low-maintenance version with plastic top plate liner and LubeTronic 1Point for automatic lubrication of lock jaw



available with



Technical Specification

Suitable for 2" king pins (class G50) as per ECE R55-01, DIN 74080, ISO 337 and steering wedges as per ECE R55-01, DIN 74085.

For using sensor coupling versions MB and VT, the truck has to be prepared ex factory for sensors by the manufacturer.

Selection table/Versions available see next page

JSK 42 Plate mounting

Selection table / Versions available

Plate mounting

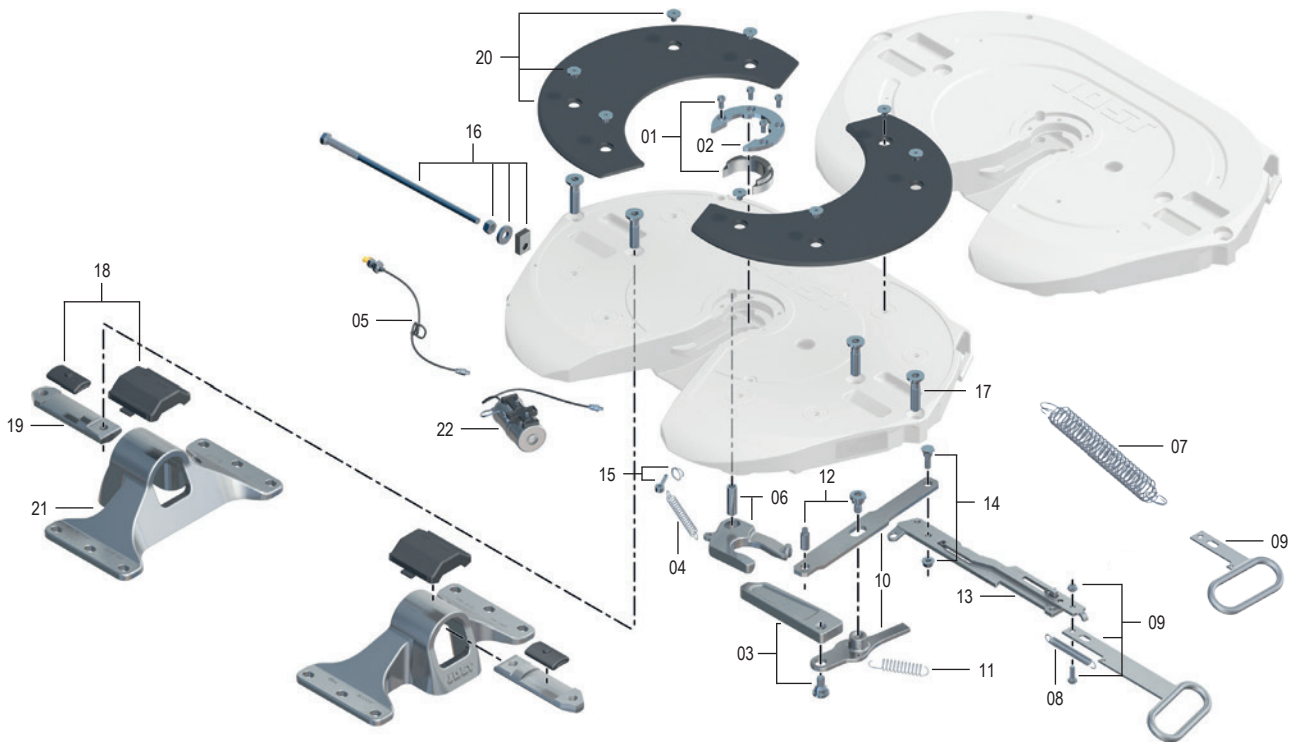
Order No.	H (mm)	X/Y	D value (kN)	Imposed load U (t)	Weight (kg)	Approval (ECE)	WA	ZL	Sensoric
JSK 42 K0 20 35 AA	150	13°	152	20	126	E1 55R-01 1245	Z	J	-
JSK 42 K0 20 87 AA	150	13°	152	20	126	E1 55R-01 1245	W+LT1P	J	-
JSK 42 K0 20 U3 AA	150	13°	152	20	131	E1 55R-01 1245	LT5P ST	J	-
JSK 42 K0 20 BS AA	150	13°	152	20	131	E1 55R-01 1245	LT5P MB	J	-
JSK 42 K0 20 DO CL	150	13°	152	20	131	E1 55R-01 1245	LT5P MAN	K	-
JSK 42 K0 20 G1 AI	150	13°	152	20	131	E1 55R-01 1245	LT5P VT/RT	K	-
JSK 42 K0 20 C6 AA	150	13°	152	20	130	E1 55R-01 1245	Z	J	ST*
JSK 42 K0 20 C7 AA	150	13°	152	20	130	E1 55R-01 1245	W	J	ST*
JSK 42 K0 20 M3 BB	150	13°	152	20	130	E1 55R-01 1245	Z	J	MB
JSK 42 K0 20 BC AA	150	13°	152	20	130	E1 55R-01 1245	W+LT1P	J	MB
JSK 42 K0 20 P1 AI	150	13°	152	20	130	E1 55R-01 1245	Z	K	VT/RT
JSK 42 K0 20 P4 AI	150	13°	152	20	130	E1 55R-01 1245	W+LT1P	K	VT/RT
JSK 42 K0 20 AI AA	150	13°	152	20	131	E1 55R-01 1245	LT5P MAN	J	ST*
JSK 42 K0 20 BM BB	150	13°	152	20	131	E1 55R-01 1245	LT5P MB	J	MB
JSK 42 K0 20 P2 AI	150	13°	152	20	131	E1 55R-01 1245	LT5P VT/RT	K	VT/RT
JSK 42 K0 38 35 AA	185	19°	152	20	124	E1 55R-01 1245	Z	J	-
JSK 42 K0 38 87 AA	185	19°	152	20	124	E1 55R-01 1245	W+LT1P	J	-
JSK 42 K0 38 U3 AA	185	19°	152	20	129	E1 55R-01 1245	LT5P ST	J	-
JSK 42 K0 38 BS BB	185	19°	152	20	129	E1 55R-01 1245	LT5P MB	J	-
JSK 42 K0 38 DO CL	185	19°	152	20	129	E1 55R-01 1245	LT5P MAN	K	-
JSK 42 K0 38 G1 AI	185	19°	152	20	129	E1 55R-01 1245	LT5P VT/RT	K	-
JSK 42 K0 38 C6 AA	185	19°	152	20	128	E1 55R-01 1245	Z	J	ST*
JSK 42 K0 38 C7 AA	185	19°	152	20	128	E1 55R-01 1245	W	J	ST*
JSK 42 K0 38 M3 BB	185	19°	152	20	128	E1 55R-01 1245	Z	J	MB
JSK 42 K0 38 BC AA	185	19°	152	20	128	E1 55R-01 1245	W+LT1P	J	MB
JSK 42 K0 38 P1 AI	185	19°	152	20	128	E1 55R-01 1245	Z	K	VT/RT
JSK 42 K0 38 P4 AI	185	19°	152	20	128	E1 55R-01 1245	W+LT1P	K	VT/RT
JSK 42 K0 38 AI AA	185	19°	152	20	129	E1 55R-01 1245	LT5P MAN	J	ST*
JSK 42 K0 38 BM BB	185	19°	152	20	129	E1 55R-01 1245	LT5P MB	J	MB
JSK 42 K0 38 P2 AI	185	19°	152	20	129	E1 55R-01 1245	LT5P VT/RT	K	VT/RT
JSK 42 K0 57 35 AA	225	25°	152	20	129	E1 55R-01 1245	Z	J	-
JSK 42 K0 57 87 AA	225	25°	152	20	129	E1 55R-01 1245	W+LT1P	J	-
JSK 42 K0 57 U3 AA	225	25°	152	20	133	E1 55R-01 1245	LT5P ST	J	-
JSK 42 K0 57 G1 AI	225	25°	152	20	133	E1 55R-01 1245	LT5P VT/RT	K	-
JSK 42 K0 57 C6 AA	225	25°	152	20	133	E1 55R-01 1245	Z	J	ST*
JSK 42 K0 57 C7 AA	225	25°	152	20	132	E1 55R-01 1245	W	J	ST*
JSK 42 K0 57 M3 BB	225	25°	152	20	133	E1 55R-01 1245	Z	J	MB
JSK 42 K0 57 BC AA	225	25°	152	20	132	E1 55R-01 1245	W	J	MB
JSK 42 K0 57 P1 AI	225	25°	152	20	133	E1 55R-01 1245	Z	K	VT/RT
JSK 42 K0 57 P4 AI	225	25°	152	20	132	E1 55R-01 1245	W+LT1P	K	VT/RT
JSK 42 K0 57 AI AA	225	25°	152	20	133	E1 55R-01 1245	LT5P ST	J	ST*
JSK 42 K0 57 P2 AI	225	25°	152	20	133	E1 55R-01 1245	LT5P VT	J	VT*
JSK 42 K0 70 35 AA	250	27°	152	20	134	E1 55R-01 1245	Z	J	-
JSK 42 K0 70 87 AA	250	27°	152	20	134	E1 55R-01 1245	W+LT1P	J	-
JSK 42 K0 70 U3 AA	250	27°	152	20	138	E1 55R-01 1245	LT5P ST	J	-
JSK 42 K0 70 BS BB	250	27°	152	20	138	E1 55R-01 1245	LT5P MB	J	-
JSK 42 K0 70 DO CL	250	27°	152	20	138	E1 55R-01 1245	LT5P MAN	J	-
JSK 42 K0 70 G1 AI	250	27°	152	20	138	E1 55R-01 1245	LT5P VT/RT	J	-
JSK 42 K0 70 M3 BB	250	27°	152	20	137	E1 55R-01 1245	Z	J	MB
JSK 42 K0 70 BC AA	250	27°	152	20	137	E1 55R-01 1245	W	J	MB
JSK 42 K0 70 P1 AI	250	27°	152	20	137	E1 55R-01 1245	Z	K	VT/RT
JSK 42 K0 70 P4 AI	250	27°	152	20	137	E1 55R-01 1245	W+LT1P	K	VT/RT
JSK 42 K0 70 AI AA	250	27°	152	20	138	E1 55R-01 1245	LT5P ST	J	ST*
JSK 42 K0 70 P2 AI	250	27°	152	20	138	E1 55R-01 1245	LT5P VT	J	VT

Explanatory notes for the selection tables please refer to page 15.

Mounting instructions at www.jost-world.com

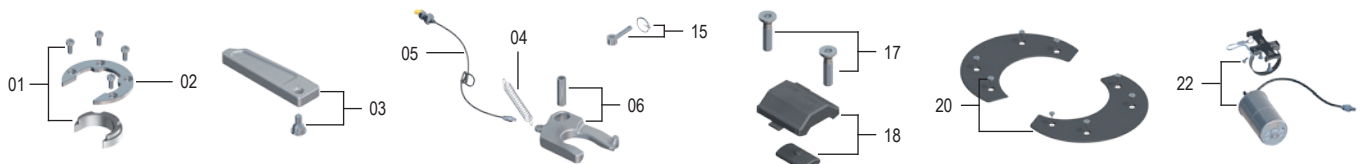
JSK 42 Plate mounting

Spare parts



Item	Description	Remark	Order No.	per JSK	Item	Description	Remark	Order No.	per JSK
01	Wearing part + mount. bolts		SKE001740020	1	13	Lever	with 14	SKE001620020	1
02	Mounting ring	with 01	SK 3105-94	1	14	Lever bolt		SKE001650020	1
03	Locking bolt + mount. bolt		SKE001009720	1	15	Eye bolt	compl.	SK 2122-04	1
04	Tension spring		SK 847	1	16	Adjusting screw with guide		SKE500740220	1
05	Lubrication line	with cable tie	SK 3108-02	1	17	Bridge bolt		SKE001011400	4
06	Lock jaw	with 04 + 05	SK 3221-52 Z	1	18	Collar	with 17	SKE001370020	2
07	Double tension spring		SK 3105-20	1	19	Bridge	with 17	SKE001530220	2
08	Locking spring		SKE001440000	1	20	Plastic top plate liner with screws (8x)		SKE001007020	1
09	Short handle	with 08, L = 220 mm	SKE001390020	1	21	Pedestal BH 150 (ISO)	with 17	SKE001005620	2
09	Long handle	with 08, L = 390 mm	SKE001390120	1	21	Pedestal BH 185 (ISO)	with 17	SKE001005720	2
10	Lever kit	with 11 + 12	SKE001380020	1	21	Pedestal BH 225 (ISO)	with 17	SKE001005820	2
11	Lever spring		SKE001009800	1	21	Pedestal BH 250 (ISO)	with 17	SKE001005920	2
12	Lever bolts		SKE001750020	1					

Repair and retrofit kits



Item	Description	Order No.	Item	Description	Order No.
01, 02, 03, 04, 05, 06, 15	Repair kit for lock	SKE001640020	20	Repair kit for plastic top plate liner with screws	SKE001007020
17, 18	Repair kit for bearing	SKE001370220	01, 02, 06, 22	Repair kit for LT1P compl.	SKE004070100

Spare parts for Sensoric/SKS/KKS please refer to Sensoric/SKS/KKS.
Spare parts for LubeTronic 5Point please refer to LubeTronic 5Point.

Repair instructions at www.jost-world.com