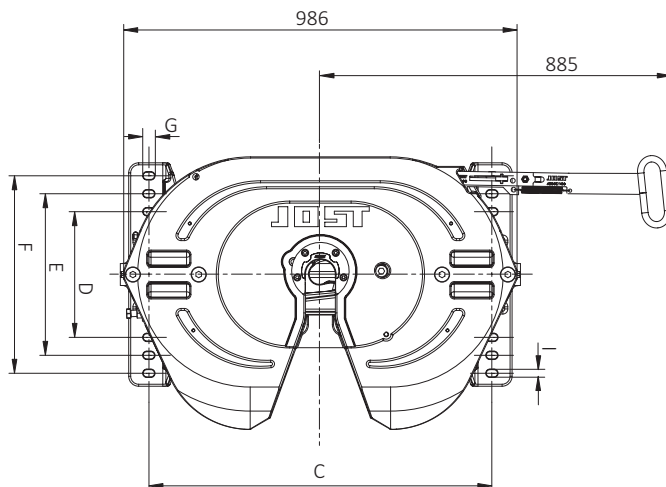
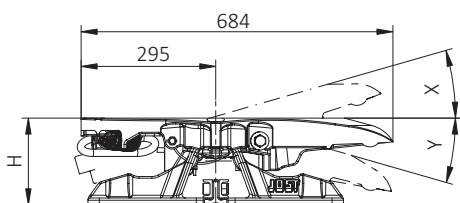


# Fifth wheel couplings · JSK 42 K2 – K6

## Frame mounting

### Advantages at a glance

- Light 2" fifth wheel cast coupling with slide bearing
- For fitting to the frame or subframe of the tractor without a mounting plate
- Low-maintenance version with plastic top plate liner and a lubricating point for the lock



available with



### Hole pattern

LB	Tractor	C	D	E	F	G	I
K2	MAN	880	304.5	406	507.5	42	18
K3	Mercedes-Benz	860	300.0	-	500.0	40	22
K6	IVECO	859	315.0	405	495.0	28	18

### Technical Specification

Suitable for 2" king pins (class G50) as per ECE R55-01, DIN 74080, ISO 337 and steering wedges as per ECE R55-01, DIN 74085.

Selection table/Versions available see next page

# JSK 42 K2 – K6 Frame mounting

## Selection table / Versions available

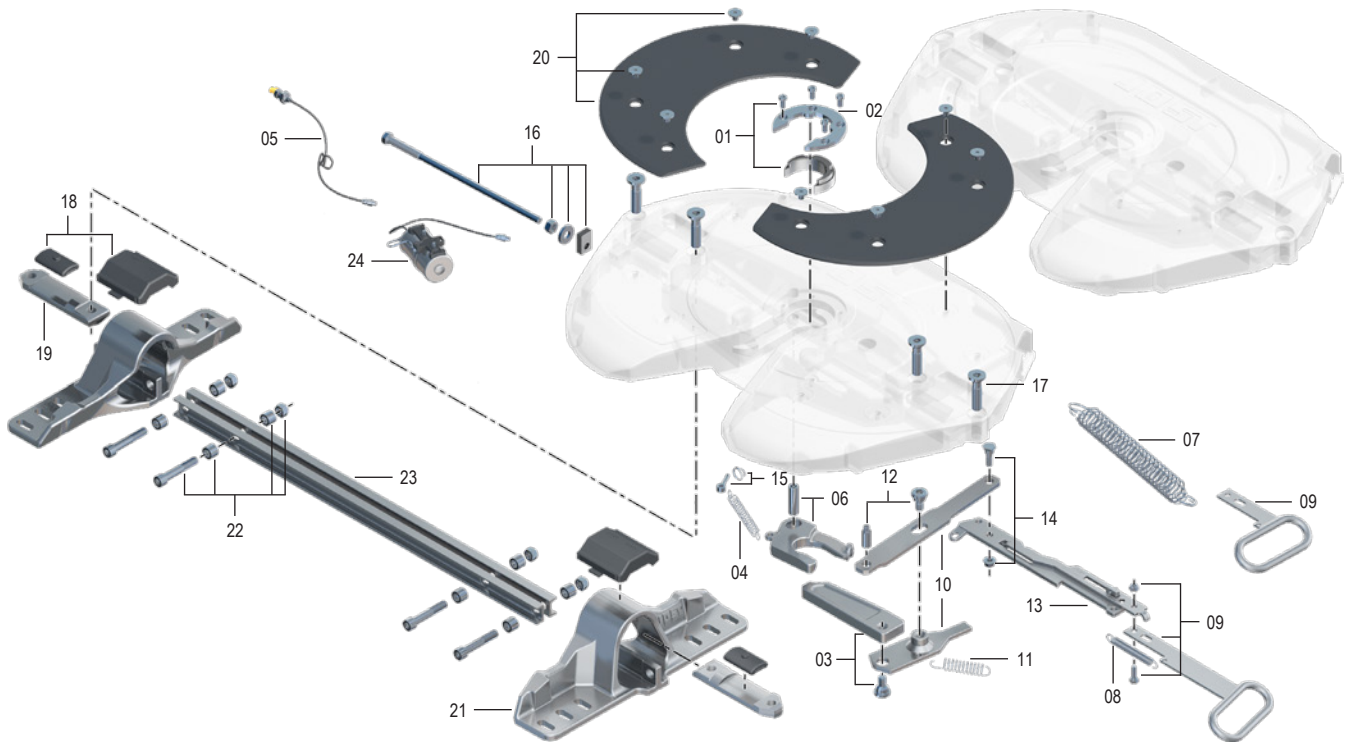
### Frame mounting

Order No.	LB	H (mm)	X/Y	D value (kN)	Imposed load U (t)	Weight (kg)	Approval (ECE)	WA	ZL	Sensoric	SKS
JSK 42 K2 20 39 AA	K2	150	13°	152	20	130	E1 55R-01 1245	W	J	-	-
JSK 42 K2 20 01 CL	K2	150	13°	152	20	134	E1 55R-01 1245	LT5P MAN	K	-	-
JSK 42 K2 20 AI AA	K2	150	13°	152	20	134	E1 55R-01 1245	LT5P MAN	J	ST*	-
JSK 42 K2 20 CW AA	K2	150	13°	152	20	135	E1 55R-01 1245	LT5P MAN	J	-	ST
JSK 42 K3 20 35 AA	K3	150	13°	152	20	128	E1 55R-01 1245	Z	J	-	-
JSK 42 K3 20 39 AA	K3	150	13°	152	20	128	E1 55R-01 1245	W	J	-	-
JSK 42 K6 20 35 AA	K6	150	13°	152	20	128	E1 55R-01 1245	Z	J	-	-
JSK 42 K6 20 39 AA	K6	150	13°	152	20	128	E1 55R-01 1245	W	J	-	-
JSK 42 K2 40 35 AA	K2	190	16°	152	20	136	E1 55R-01 1245	Z	J	-	-
JSK 42 K2 40 39 AA	K2	190	16°	152	20	136	E1 55R-01 1245	W	J	-	-
JSK 42 K2 40 DO CL	K2	190	16°	152	20	140	E1 55R-01 1245	LT5P MAN	K	-	-
JSK 42 K2 40 AI AA	K2	190	16°	152	20	140	E1 55R-01 1245	LT5P MAN	J	ST*	-
JSK 42 K2 40 CW AA	K2	190	16°	152	20	141	E1 55R-01 1245	LT5P MAN	K	-	ST
JSK 42 K2 40 C7 AA	K2	190	16°	152	20	137	E1 55R-01 1245	W	J	ST*	-
JSK 42 K3 40 35 AA	K3	190	16°	152	20	132	E1 55R-01 1245	Z	J	-	-
JSK 42 K3 40 39 AA	K3	190	16°	152	20	132	E1 55R-01 1245	W	J	-	-
JSK 42 K6 40 35 AA	K6	190	16°	152	20	132	E1 55R-01 1245	Z	J	-	-
JSK 42 K6 40 39 AA	K6	190	16°	152	20	132	E1 55R-01 1245	W	J	-	-
JSK 42 K6 40 DA AA	K6	190	16°	152	20	138	E1 55R-01 1245	LT5P ST	J	ST	-
JSK 42 K6 40 EC AA	K6	190	16°	152	20	136	E1 55R-01 1245	Z	J	ST	-
JSK 42 K2 57 34 AA	K2	225	25°	152	20	138	E1 55R-01 1245	Z	K	-	-
JSK 42 K2 57 39 AA	K2	225	25°	152	20	138	E1 55R-01 1245	W	J	-	-
JSK 42 K2 57 DO CL	K2	225	25°	152	20	144	E1 55R-01 1245	LT5P MAN	K	-	-
JSK 42 K2 57 AI AA	K2	225	25°	152	20	144	E1 55R-01 1245	LT5P MAN	J	ST*	-
JSK 42 K2 57 C7 AA	K2	225	25°	152	20	139	E1 55R-01 1245	W	J	ST*	-
JSK 42 K3 57 35 AA	K3	225	25°	152	20	134	E1 55R-01 1245	Z	J	-	-
JSK 42 K3 57 39 AA	K3	225	25°	152	20	134	E1 55R-01 1245	W	J	-	-
JSK 42 K6 57 35 AA	K6	225	25°	152	20	135	E1 55R-01 1245	Z	J	-	-
JSK 42 K6 57 39 AA	K6	225	25°	152	20	135	E1 55R-01 1245	W	J	-	-
JSK 42 K6 57 CV AA	K6	225	25°	152	20	135	E1 55R-01 1245	LT5P ST	J	EV	-
JSK 42 K6 57 C6 AA	K6	225	25°	152	20	139	E1 55R-01 1245	Z	J	ST*	-
JSK 42 K6 57 C7 AA	K6	225	25°	152	20	139	E1 55R-01 1245	W	J	ST*	-
JSK 42 K6 57 F5 AA	K6	225	25°	152	20	135	E1 55R-01 1245	W+LT1P	J	EV	-
JSK 42 K6 57 DA AA	K6	225	25°	152	20	140	E1 55R-01 1245	LT5P ST	J	ST	-

Explanatory notes for the selection tables please refer to page 15.

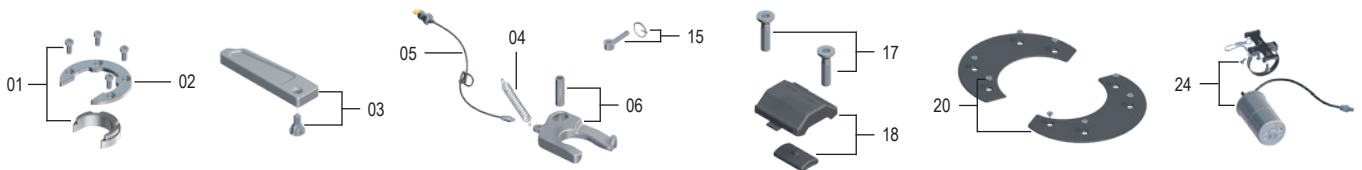
# JSK 42 K2 – K6 Frame mounting

## Spare parts



Item	Description	Remark	Order No.	per JSK	Item	Description	Remark	Order No.	per JSK
01	Wearing part + mount. bolts		SKE001740020	1	17	Bridge bolt		SKE001011400	4
02	Mounting ring	with 01	SK 3105-94	1	18	Collar	with 17	SKE001370020	2
03	Locking bolt + mount. bolt		SKE001009720	1	19	Bridge	with 17	SKE001530220	2
04	Tension spring		SK 847	1	20	Plastic top plate liner with screws (8x)		SKE001007020	1
05	Lubrication line	with cable tie	SK 3108-02	1	21	Pedestal BH 150 (K2)	with 17	SKE001500020	2
06	Lock jaw	with 04 + 05	SK 3221-52 Z	1	21	Pedestal BH 150 (K3)	with 17	SKE001500120	2
07	Double tension spring		SK 3105-20	1	21	Pedestal BH 150 (K6)	with 17	SKE001500320	2
08	Locking spring		SKE001440000	1	21	Pedestal BH 190 (K2)	with 17	SKE001510020	2
09	Short handle	with 08, L = 220 mm	SKE001390020	1	21	Pedestal BH 190 (K3)	with 17	SKE001510120	2
09	Long handle	with 08, L = 390 mm	SKE001390120	1	21	Pedestal BH 190 (K6)	with 17	SKE001510320	2
10	Lever kit	with 11 + 12	SKE001380020	1	21	Pedestal BH 225 (K2)	with 17	SKE001520020	2
11	Lever spring		SKE001009800	1	21	Pedestal BH 225 (K3)	with 17	SKE001520120	2
12	Lever bolts		SKE001750020	1	21	Pedestal BH 225 (K6)	with 17	SKE001520320	2
13	Lever	with 14	SKE001620020	1	22	Set of traverse screws		SKE002770020	1
14	Lever bolt		SKE001650020	1	23	Traverses BH 150 (K2)	with 22	SKE001570020	1
15	Eye bolt	compl.	SK 2122-04	1	23	Traverses BH 190/225 (K2)	with 22	SKE001590020	1
16	Adjusting screw with guide		SKE500740220	1	23	Traverses (K3/K6)	with 22	SKE001010120	1

## Repair and retrofit kits



Item	Description	Order No.	Item	Description	Order No.
01, 02, 03, 04, 05, 06, 15	Repair kit for lock	SKE001640020	20	Repair kit for plastic top plate liner with screws	SKE001007020
17, 18	Repair kit for bearing	SKE001370220	01, 02, 06, 24	Repair kit for LT1P compl.	SKE004070100

Repair instructions at [www.jost-world.com](http://www.jost-world.com)