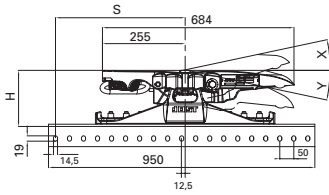


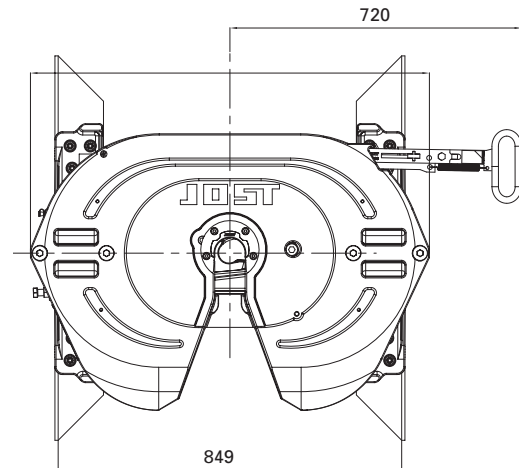
# Fifth wheel couplings · JSK 42 K8 (Volvo) Frame mounting

## Advantages at a glance

- Light 2" fifth wheel cast coupling with slide bearing
- **For fitting to the frame or subframe of Volvo of the tractor without a mounting plate**
- Low-maintenance version with plastic top plate liner and LubeTronic 1Point for automatic lubrication of lock jaw



For using sensor coupling versions VT, the truck has to be prepared ex factory for sensors by the manufacturer.



available with



## Selection table / Versions available

Order No.	H (mm)	X	Y	D value (kN)	Imposed load U (t)	Weight (kg)	Approval (ECE)	WA	Hole pattern versions*	ZL	Sensoric
JSK 42 K8 21 89 AA	160	8°	11°	152	20	146	E1 55R-01 1245	Z	F	K	-
JSK 42 K8 21 88 AA	160	8°	11°	152	20	146	E1 55R-01 1245	Z	E	K	-
JSK 42 K8 21 F4 AI	160	8°	11°	152	20	148	E1 55R-01 1245	W+LT1P	F	K	-
JSK 42 K8 21 F3 AI	160	8°	11°	152	20	148	E1 55R-01 1245	W+LT1P	E	K	-
JSK 42 K8 21 F8 AI	160	8°	11°	152	20	155	E1 55R-01 1245	LT5P	F	K	-
JSK 42 K8 21 F7 AI	160	8°	11°	152	20	155	E1 55R-01 1245	LT5P	E	K	-
JSK 42 K8 21 O3 AI	160	8°	11°	152	20	146	E1 55R-01 1245	Z	F	K	VT
JSK 42 K8 21 O4 AI	160	8°	11°	152	20	146	E1 55R-01 1245	Z	E	K	VT
JSK 42 K8 21 O9 AI	160	8°	11°	152	20	148	E1 55R-01 1245	W+LT1P	F	K	VT
JSK 42 K8 21 P0 AI	160	8°	11°	152	20	148	E1 55R-01 1245	W+LT1P	E	K	VT
JSK 42 K8 21 O7 AI	160	8°	11°	152	20	149	E1 55R-01 1245	LT5P	F	K	VT
JSK 42 K8 21 O8 AI	160	8°	11°	152	20	149	E1 55R-01 1245	LT5P	E	K	VT
JSK 42 K8 44 89 AA	200	17°	16°	152	20	153	E1 55R-01 1245	Z	F	K	-
JSK 42 K8 44 88 AA	200	17°	16°	152	20	153	E1 55R-01 1245	Z	E	K	-
JSK 42 K8 44 F4 AI	200	17°	16°	152	20	154	E1 55R-01 1245	W+LT1P	F	K	-
JSK 42 K8 44 F3 AI	200	17°	16°	152	20	154	E1 55R-01 1245	W+LT1P	E	K	-
JSK 42 K8 44 F8 AI	200	17°	16°	152	20	155	E1 55R-01 1245	LT5P	F	K	-
JSK 42 K8 44 F7 AI	200	17°	16°	152	20	155	E1 55R-01 1245	LT5P	E	K	-
JSK 42 K8 44 O3 AI	200	17°	16°	152	20	153	E1 55R-01 1245	Z	F	K	VT
JSK 42 K8 44 O4 AI	200	17°	16°	152	20	153	E1 55R-01 1245	Z	E	K	VT
JSK 42 K8 44 O9 AI	200	17°	16°	152	20	155	E1 55R-01 1245	W+LT1P	F	K	VT
JSK 42 K8 44 P0 AI	200	17°	16°	152	20	155	E1 55R-01 1245	W+LT1P	E	K	VT
JSK 42 K8 44 O7 AI	200	17°	16°	152	20	156	E1 55R-01 1245	LT5P	F	K	VT
JSK 42 K8 44 O8 AI	200	17°	16°	152	20	156	E1 55R-01 1245	LT5P	E	K	VT
JSK 42 K8 58 89 AA	230	24°	23°	152	20	158	E1 55R-01 1245	Z	F	K	-
JSK 42 K8 58 88 AA	230	24°	23°	152	20	158	E1 55R-01 1245	Z	E	K	-
JSK 42 K8 58 F4 AI	230	24°	23°	152	20	159	E1 55R-01 1245	W+LT1P	F	K	-
JSK 42 K8 58 F3 AI	230	24°	23°	152	20	159	E1 55R-01 1245	W+LT1P	E	K	-
JSK 42 K8 58 F8 AI	230	24°	23°	152	20	160	E1 55R-01 1245	LT5P	F	K	-
JSK 42 K8 58 F7 AI	230	24°	23°	152	20	160	E1 55R-01 1245	LT5P	E	K	-
JSK 42 K8 58 O3 AI	230	24°	23°	152	20	158	E1 55R-01 1245	Z	F	K	VT
JSK 42 K8 58 O4 AI	230	24°	23°	152	20	158	E1 55R-01 1245	Z	E	K	VT
JSK 42 K8 58 O9 AI	230	24°	23°	152	20	160	E1 55R-01 1245	W+LT1P	F	K	VT
JSK 42 K8 58 P0 AI	230	24°	23°	152	20	160	E1 55R-01 1245	W+LT1P	E	K	VT
JSK 42 K8 58 O7 AI	230	24°	23°	152	20	161	E1 55R-01 1245	LT5P	F	K	VT
JSK 42 K8 58 O8 AI	230	24°	23°	152	20	161	E1 55R-01 1245	LT5P	E	K	VT

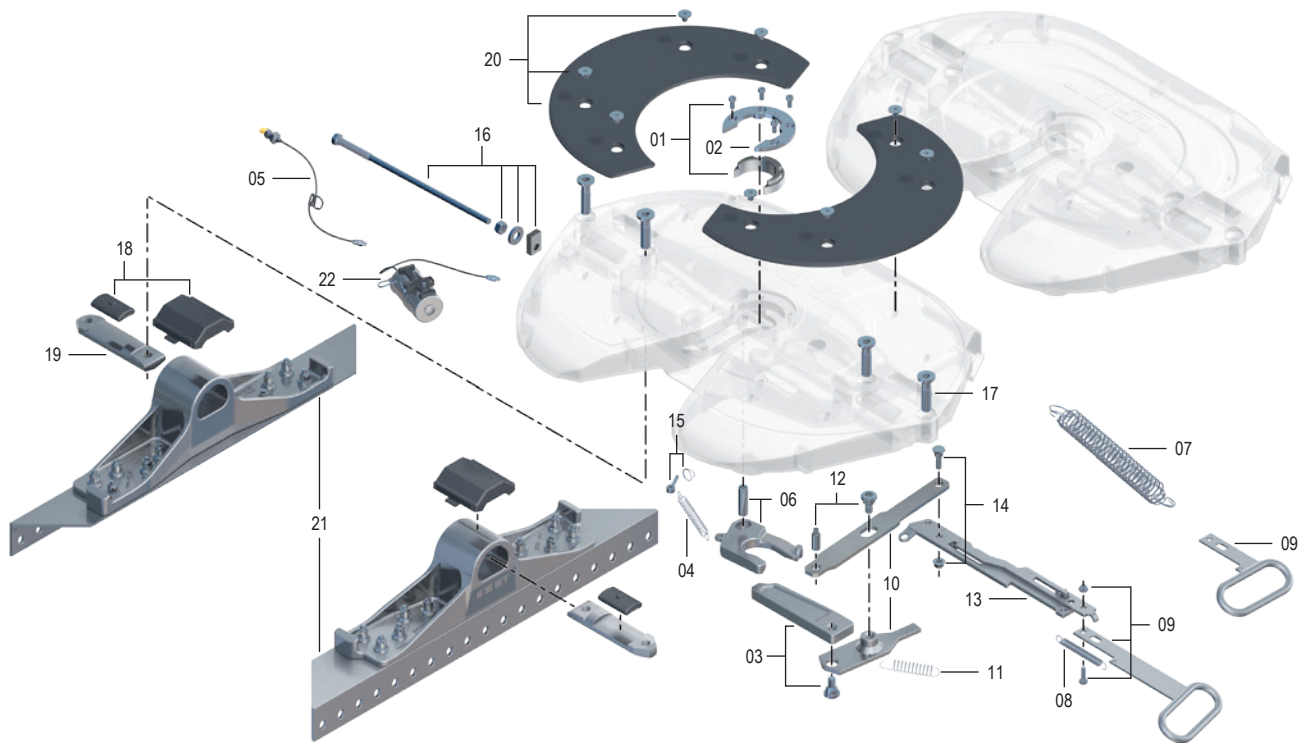
\* The E series can be converted to the F series (and vice versa) by switching the right and left pedestals to the opposite side. This causes the fifth wheel coupling to be displaced by 25 mm in relation to the attachment hole pattern of the tractor.

Explanatory notes for the selection tables please refer to page 15.

Mounting instructions at [www.jost-world.com](http://www.jost-world.com)

# JSK 42 K8 (Volvo) Frame mounting

## Spare parts



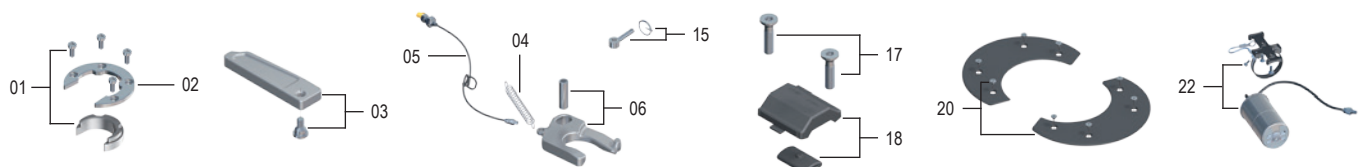
Item	Description	Remark	Order No.	per JSK
01	Wearing part + mount. bolts		SKE001740020	1
02	Mounting ring	with 01	SK 3105-94	1
03	Locking bolt + mount. bolt		SKE001009720	1
04	Tension spring		SK 847	1
05	Lubrication line	with cable tie	SK 3108-02	1
06	Lock jaw	with 04 + 05	SK 3221-52 Z	1
07	Double tension spring		SK 3105-20	1
08	Locking spring		SKE001440000	1
09	Short handle	with 08, L = 220 mm	SKE001390300	1
09	Long handle	with 08, L = 390 mm	SKE001390400	1
10	Lever kit	with 11 + 12	SKE001380020	1
11	Lever spring		SKE001009800	1
12	Lever bolts		SKE001750020	1

Item	Description	Remark	Order No.	per JSK
13	Lever	with 14	SKE001620020	1
14	Lever bolt		SKE001650020	1
15	Eye bolt	compl.	SK 2122-04	1
16	Adjusting screw with guide		SKE500740220	1
17	Bridge bolt		SKE001011400	4
18	Collars with rubber cushion**	with 17	SKE001940001	1
19	Bridge	with 17	SKE001530220	2
20	Plastic top plate liner with screws (8x)		SKE001007020	1
21	Pedestals BH 160 (K8)*	with 17	SKE004240101	1
21	Pedestals BH 200 (K8)*	with 17	SKE004240301	1
21	Pedestals BH 230 (K8)*	with 17	SKE004240501	1

\* consists of a right and left pedestal and four bridge bolt

\*\* consists of a right (closed) and a left (open) collar, two rubber cushions and four bridge bolts

## Repair and retrofit kits



Item	Description	Order No.
01, 02, 03, 04, 05, 06, 15	Repair kit for lock	SKE001640020
17, 18**	Repair kit for bearing	SKE001940001
20	Repair kit for plastic top plate liner with screws	SKE001007020
01, 02, 06, 22	Repair kit for LT1P compl.	SKE004070100

\*\* consists of a right (closed) and a left (open) collar, two rubber cushions and four bridge bolts

Spare parts for Sensoric please refer to Sensor couplings.

Spare parts for LubeTronic 5Point please refer to LubeTronic 5Point.

Repair instructions at [www.jost-world.com](http://www.jost-world.com)