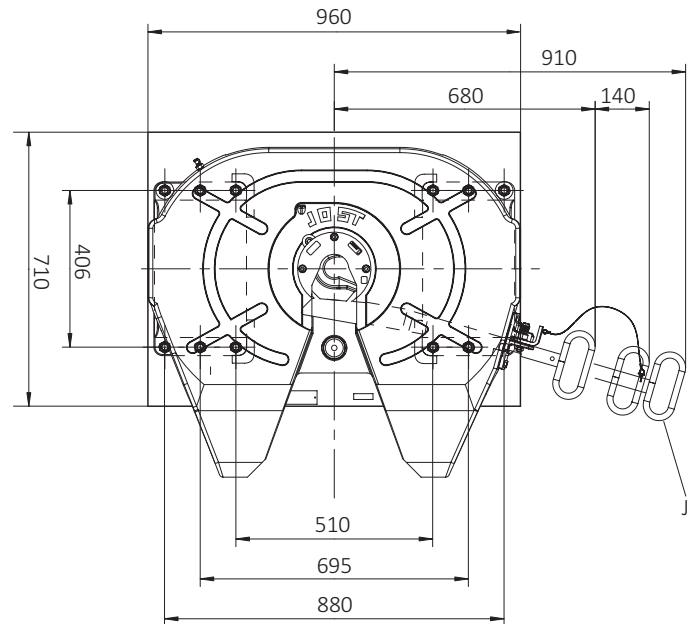
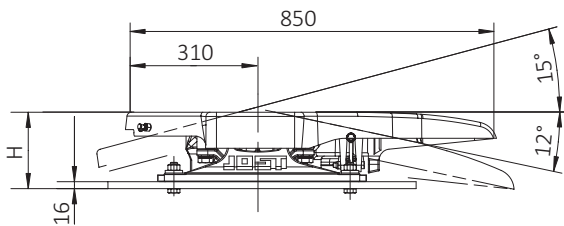


Heavy duty – Fifth wheel coupling JSK 38 MC

Advantages at a glance

- Especially robust heavy duty fifth wheel coupling
- Shock-absorbing rubber bearing
- With integrated mounting plate for a low mounting height
- Retrofittable from 2" or 3½" and vice versa



Selection table / Versions available

Order No.	H (mm)	D value (kN)	Lock	Imposed load U (t)	Weight (kg)	Approval (ECE) Fifth wheel couplings	Prüfzeichen (ECE) mounting plates	WA	ZL
JSK 38 MC 34 81 DJ	176	260	3½"	36	270	E1 55R-01 0471	E1 55R-01 0951	Z	K
JSK 38 MC 34 82 DJ	176	260	3½"	36	270	E1 55R-01 0471	E1 55R-01 0951	Z	J
JSK 38 MC 34 90 DJ	176	170	2"	28	270	E1 55R-01 0472	E1 55R-01 0951	Z	K
JSK 38 MC 34 91 DJ	176	170	2"	28	270	E1 55R-01 0472	E1 55R-01 0951	Z	J

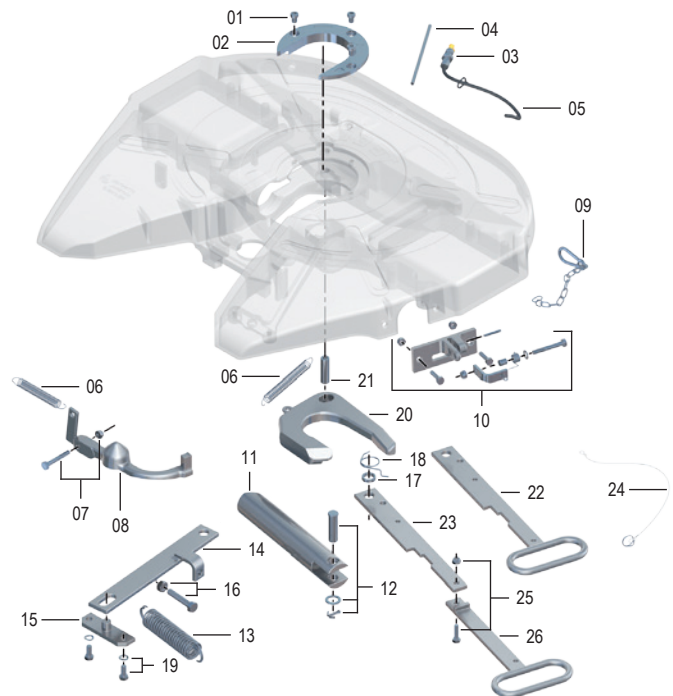
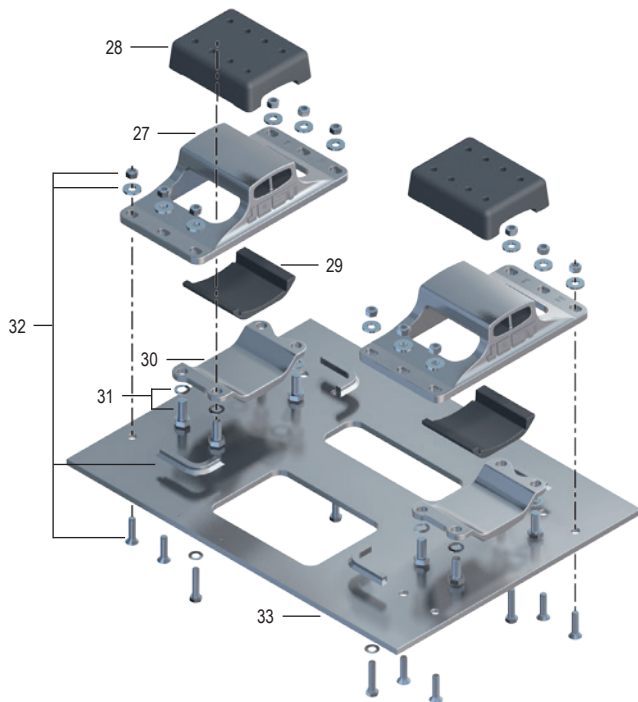
Explanatory notes for the selection tables please refer to page 15.

Technical Specification

Designed for 2" king pins (50) as per ECE R55-01, DIN 74080, ISO 337 and steering wedges as per ECE R55-01, DIN 74085 or for 3½" king pins (S) as per ECE R55-01, DIN 74083, ISO 4086.

JSK 38 MC / MC- 2" / ... Z

Spare parts

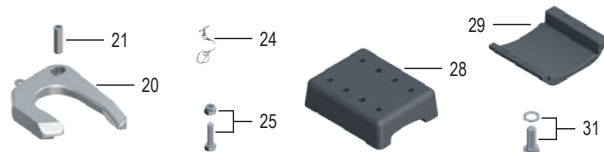
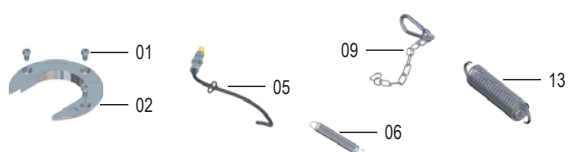


Item	Description	Remark	Order No.	per JSK
01	Socket head bolt		SK 2421-08	3
02	Wearing ring	3½", compl. with 01	SK 2421-56	1
02	Wearing ring	2", compl. with 01	SK 2421-57	1
03	Nut and bolt		SK 1976	1
04	Lubrication tube		SK 2205-12	1
05	Lubrication line	compl. with cable tie, for type Z	SK 2508-02	1
06	Tension spring		SK 2106-01	2
07	Hexagon bolt	compl.	SK 2421-51	1
08	Stopper		SK 2405-27	1
09	Spring hook	compl. up to xx60xxxxx	SK 1436	1
10	Latch	compl.	SKE240508400	1
11	Locking bolt		SK 2405-01	1
12	Bar bolt	compl.	SK 2121-14	1
13	Double tension spring		SK 2405-23	1
14	Lever		SK 2405-04	1
15	Bearing		SK 2405-15	1
16	Hexagon bolt	compl.	SK 2421-52	1
17	Washer		SK 2405-19	1
18	Spring noose		SK 2405-09	1
19	Hexagon bolt	compl.	SK 2421-53	2

Item	Description	Remark	Order No.	per JSK
20	Lock jaw	compl. with 06, 3½" for type M	SK 2405-14	1
20	Lock jaw	compl. with 06, 3½" for type Z	SK 2405-14 Z	1
20	Lock jaw	compl. with 06, 2" for type M	SK 2405-13	1
20	Lock jaw	compl. with 06, 2" for type Z	SK 2405-13 Z	1
21	Bolt		SK 2405-18	1
22	Short handle	for type K	SK 2405-066	1
23	Locking bar	for type J	SK 2405-067	1
24	Latch cord	compl. for type J	SK 3521-02	1
25	Hexagon bolt	compl. for type J	SK 2421-50	1
26	Long handle	for type J	SK 3105-113	1
27	Pedestal BH 160 (ISO)*		SK 2404-05	2
28	Rubber cushion, upper		SK 2006	2
29	Rubber cushion, lower		SK 2007	2
30	Bridge		SK 2005-01	2
31	Hexagon bolt	compl.	SK 2421-55	8
32	Fixing kit		SK 2410-019	1
33	Mounting plate		MP0119-133	1

* Construction with pedestal for mounting height 160 mm only permissible in combination with mounting plate MP 0119-133.

Repair and retrofit kits



Item	Description	Order No.
01, 02, 06, 09, 13, 20, 21	Repair kit for lock 3½", for type C	SK 2421-76
01, 02, 05, 06, 09, 13, 20, 21	Repair kit for lock 3½", for type CZ	SK 2421-76 Z
01, 02, 06, 09, 13, 20, 21	Repair kit for lock 2", for type C	SK 2421-77
01, 02, 05, 06, 09, 13, 20, 21	Repair kit for lock 2", for type CZ	SK 2421-77 Z
28, 29, 31	Conversion kit for lock 3½" in 2", for type C	SK 2421-98

Item	Description	Order No.
01, 02, 06, 20	Conversion kit for lock 2" in 3½", for type C	SK 2421-99
01, 02, 06, 20	Conversion kit for lock 3½" in 2", for type CZ	SK 2421-98 Z
01, 02, 06, 20	Conversion kit for lock 2" in 3½", for type CZ	SK 2421-99 Z
01, 02, 06, 20	Retrofit kit handle extension compl., for type C/CZ	SK 3121-063
24, 25	Repair kit for bearing for type C/CZ	SK 2421-78

Repair instructions at www.jost-world.com