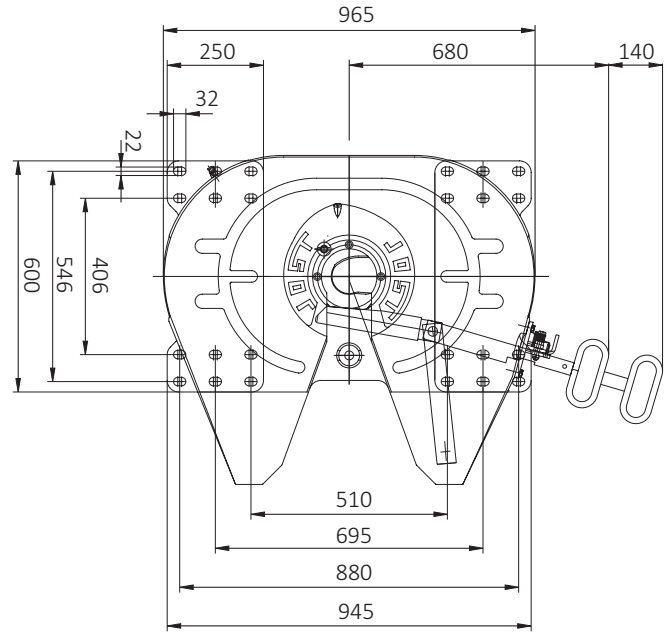
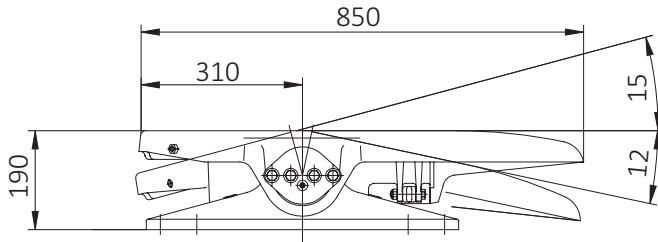


Heavy duty – Fifth wheel couplings · JSK 50

Advantages at a glance

- Heavy duty fifth wheel coupling made of cast steel
- For highest loads
- For 3½" king pins



Selection table / Versions available

| Order No. | D value (kN) | Imposed load U (t) | Weight (kg) | Approval (EG) | WA |
|--------------------|--------------|--------------------|-------------|----------------|----|
| JSK 50 | 300 | 50 | 290 | E1 55R-01 2504 | M |
| JSK 50 E1 40 R2 AA | 300 | 50 | 290 | E1 55R-01 2504 | Z |

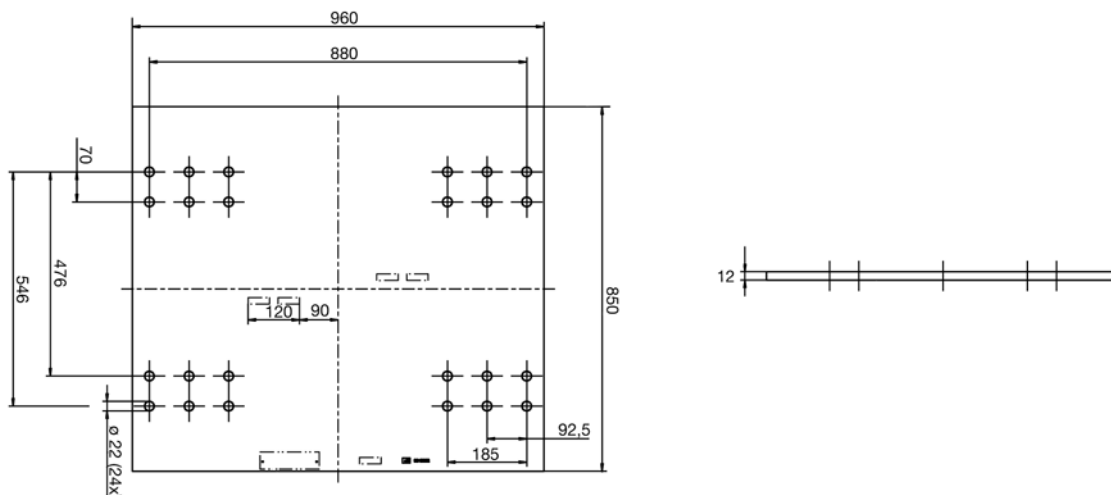
Explanatory notes for the selection tables please refer to page 15.

Technical Specification

Suitable for 3½" king pins (G S) as per ECE R55-01, DIN 74083, ISO 4086 and steering wedges as per ECE R55-01, DIN 74085.

Mounting plate for JSK 50

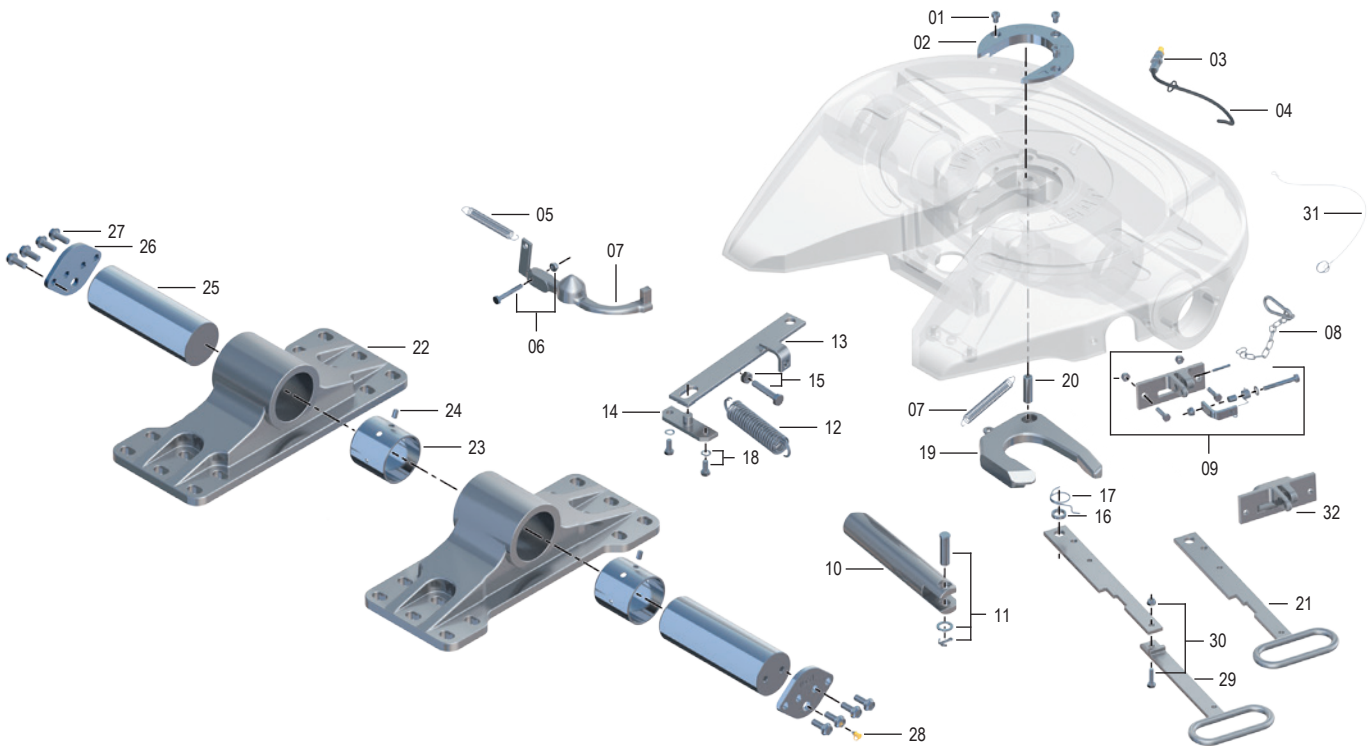
| Order No. | D value (kN) | Imposed load U (t) | Weight (kg) | Approval (ECE) | Screw Set fifth wheel – MP |
|-----------|--------------|--------------------|-------------|----------------|----------------------------|
| MP 0925 | 300 | 50 | 128 | E1 55R-01 2496 | SK 2410-021 |



Mounting instructions at www.jost-world.com

JSK 50 / ... Z

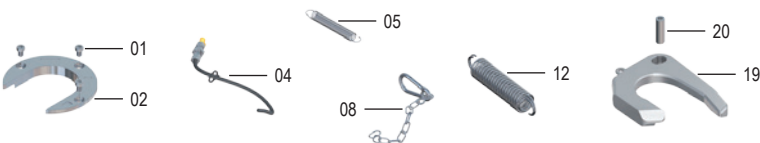
Spare parts



| Item | Description | Remark | Order No. | per JSK |
|------|-----------------------|-----------------------------------|--------------|---------|
| 01 | Socket head bolt | | SK 2421-08 | 3 |
| 02 | Wearing ring | 3½", compl. with 01 | SK 2421-56 | 1 |
| 03 | Nut and bolt | | SK 1976 | 1 |
| 04 | Lubrication line | compl. with cable tie, for type Z | SK 2508-02 | 1 |
| 05 | Tension spring | | SK 2106-01 | 2 |
| 06 | Hexagon bolt | compl. | SK 2421-51 | 1 |
| 07 | Stopper | | SK 2405-27 | 1 |
| 08 | Spring hook | compl. | SK 1436 | 1 |
| 09 | Latch | compl. | SKE240508400 | 1 |
| 10 | Locking bolt | | SK 2405-01 | 1 |
| 11 | Bar bolt | compl. | SK 2121-14 | 1 |
| 12 | Double tension spring | | SK 2405-23 | 1 |
| 13 | Lever | | SK 2405-04 | 1 |
| 14 | Bearing | | SK 2405-15 | 1 |
| 15 | Hexagon bolt | compl. | SK 2421-52 | 1 |

| Item | Description | Remark | Order No. | per JSK |
|------|-------------------------|------------------------|--------------|---------|
| 16 | Washer | | SK 2405-19 | 1 |
| 17 | Spring noose | | SK 2405-09 | 1 |
| 18 | Hexagon bolt | compl. | SK 2421-53 | 2 |
| 19 | Lock jaw | compl., 3½" for type Z | SK 2405-14 Z | 1 |
| 20 | Bolt | | SK 2405-18 | 1 |
| 21 | Short handle | for type K | SK 2405-066 | 1 |
| 22 | Pedestal BH 190 (ISO) | compl. with 23 + 24 | SK 2821-51 | 2 |
| 23 | Bearing bush | | SK 2805-03 | 4 |
| 24 | Cylindrical notched pin | | SK 1533 | 8 |
| 25 | Pivot pin | | SK 2805-01 | 2 |
| 26 | Plate | | SK 2805-02 | 2 |
| 27 | Locking bolt | | SK 2521-05 | 8 |
| 28 | Taper grease nipple | | SK 2521-04 | 2 |
| 29 | Handle extension | compl. with 30 + 31 | SK 3121-063 | 1 |
| 30 | Hexagon bolt | compl. | SK 2421-50 | 1 |
| 31 | Latch cord | compl. | SK 3521-02 | 1 |
| 32 | Guide plate | up to xx90xxxx | SK 2405-22 | 1 |

Repair and retrofit kits



| Item | Description | Order No. |
|----------------------------|---------------------|------------|
| 01, 02, 05, 08, 12, 19, 20 | Repair kit for lock | SK 2421-76 |

| Item | Description | Order No. |
|--------------------------------|---------------------------------|--------------|
| 01, 02, 04, 05, 08, 12, 19, 20 | Repair kit for lock, for type Z | SK 2421-76 Z |