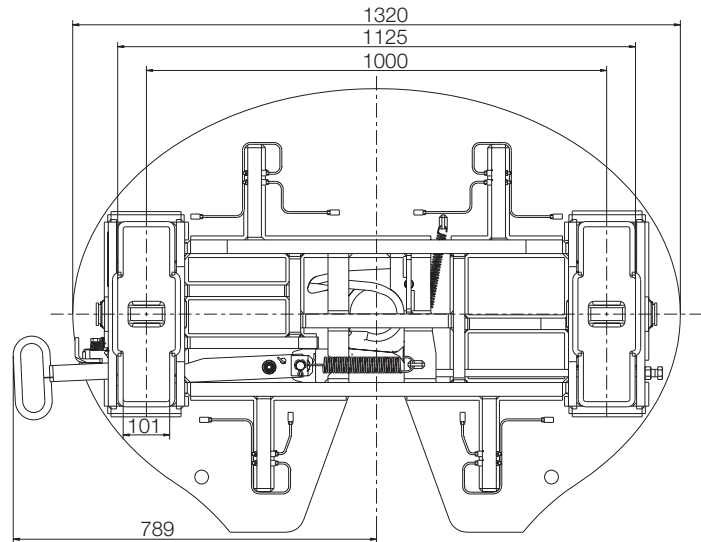
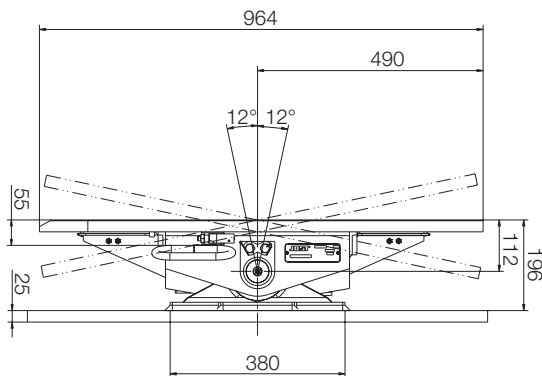


Heavy duty – Fifth wheel couplings · JSK 52

Advantages at a glance

- Super heavy duty fifth wheel coupling with pivot bearing
- Especially suitable for mining
- For 3½" king pins KZ 5216



Selection table / Versions available

Order No.	D value (kN)	Imposed load U (t)	Weight (kg)	Approval (CRN)*	WA
JSK 52 DD 39 16 AA	400	74	455	46422	Z

* Australian norm

Explanatory notes for the selection tables please refer to page 15.

Technical Specification

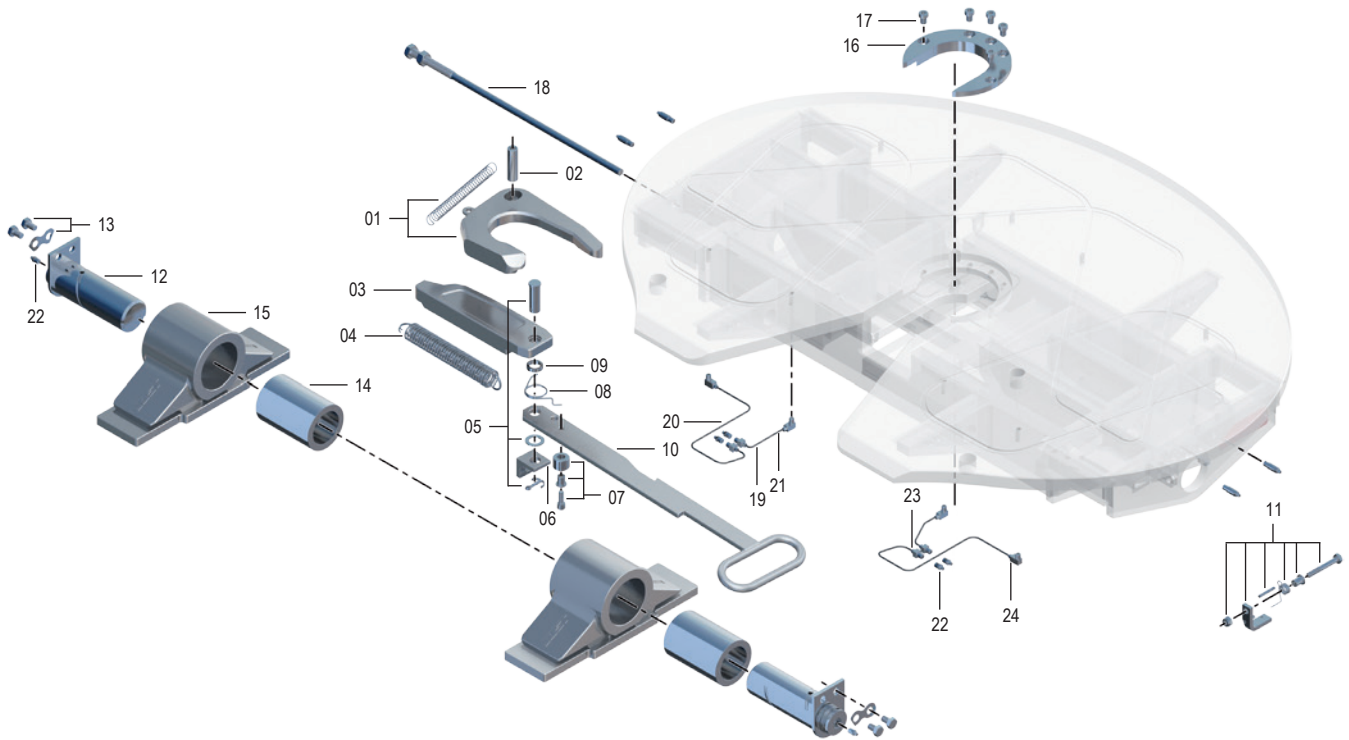
Suitable for 3½" king pins (G S) as per ECE R55-01, DIN 74083, ISO 4086 and steering wedges as per ECE R55-01, DIN 74085.

Notes:

- Mounting plate is not included in the scope of delivery of the fifth wheel coupling. (Please refer to the mounting and operating instructions under www.jost-world.com).
- Not for use on public roads.
- More information on the corresponding king pin KZ 5216 can be found in the chapter King Pins.

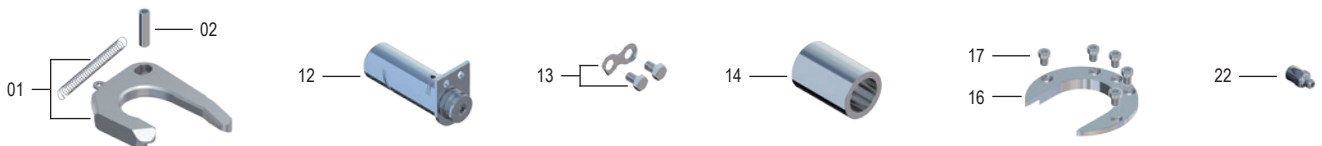
JSK 52

Spare parts



Item	Description	Remark	Order No.	per JSK	Item	Description	Remark	Order No.	per JSK
01	Lock jaw		SK 8301-005	1	14	Bush		SK 8301-204	2
02	Pin		SK 8301-307	1	15	Pedestal	compl.	SK 8301-224	2
03	Locking bolt		SK 8301-209	1	16	Wearing ring		SK 8301-223	1
04	Double tension spring		SK 8301-210	1	17	Socket head bolt		SK 2421-08	5
05	Bar bolt	compl.	SK 8101-006	1	18	Adjusting screw with hexagon bolt		SK 8301-301	1
06	Fixing loop		SK 8101-206	1	19	Lubrication line	symmetrical	SK 8301-220	2
07	Bolt	compl.	SK 8301-007	1	20	Lubrication line 2	symmetrical	SK 8301-221	4
08	Spring		SK 2405-09	1	21	Lubrication line 3	symmetrical	SK 8301-222	2
09	Washer		SK 8101-305	1	22	Lubrication nipple		SK 8301-308	10
10	Pull handle		SK 8301-213	1	23	Nut and bolt		SK 8301-310	8
11	Latch mechanism	compl.	SK 8301-008	1	24	90° Nut and bolt		SK 8301-309	8
12	Pivot pin		SK 8301-205	2					
13	Hexagon bolt + retaining sheet		SK 2921-038	2					

Repair and retrofit kits



Item	Description	Order No.	Item	Description	Order No.
01, 02, 16, 17	Repair kit for lock	SKE119036300	12, 13, 14, 22	Repair kit for bearing	SKE119036400