

Dual-height fifth wheel systems · JSK DH

Advantages at a glance

- Additional safety device to protect against false coupling
- Can be locked, unlocked, raised and lowered within seconds using pneumatics
- Up to 50% reduction in maintenance costs

- The JSK DH is not suitable for use in site traffic.
- The load conditions apply for operation on paved roads and transport conditions typical in Central Europe.
- Please enquire about uses other than these or when using tank, silo or tipping trailers or other trailers with a high centre of gravity.
- max. permitted total weight: 44 t

Technical Features

- The lightest dual-height fifth wheel system on the market – up to 70 kg lighter than comparable dual-height fifth wheel systems
- Two lifting heights – 200 mm and 150 mm
- Mounting height of just 165 mm in the lowest position
- Two grease cartridges for lubricating joints
- Third cartridge for lock jaw lubrication (low-maintenance version)
- Dual safety locking mechanism
- Extended handle for safety and ease of operation

Technical Specification

- Designed for 2" king pins (class G 50) as per ECE R55-01, DIN 74080, ISO 337 and steering wedges as per ECE R55-01, DIN 74085
- For installation of the JSK DH on the tractor no additional relief valves are necessary.
- Fitting recommendation: when ordering new vehicles ensure that the mounting angles are drilled according our dimensions (see drawing) or completely undrilled.
- Structure: Depending on the vehicle manufacturer, it may necessary to retrofit a special mounting angle or to change the existing mounting angle. Please ask us if you any questions on the available options.



Scope of delivery Order

- Dual-height fifth wheel system
- Pneumatic kit, Mounting bolts

Selection table / Versions available

Order No.	H (mm)	V (mm)	Mounting height (mm)	D value (kN)	Imposed U (t)	Weight (kg)	Approval (ECE) Dual-height fifth wheel system	Fifth wheel coupling	WA	Version
JSK DH E0 27 I6 AA	315	27	150	110	15	266	E1 55R-01 1069	JSK 37 E	Z	1
JSK DH E0 27 I3 AA	315	27	150	110	15	267	E1 55R-01 1069	JSK 37 EW	W+LT1P	1
JSK DH E0 27 I6 EO	315	27	150	110	15	267	E1 55R-01 1069	JSK 37 E	Z	2
JSK DH E0 27 I3 EO	315	27	150	110	15	268	E1 55R-01 1069	JSK 37 EW	W+LT1P	2
JSK DH E0 27 I6 EP	315	27	150	110	15	268	E1 55R-01 1069	JSK 37 E	Z	3
JSK DH E0 27 I3 EP	315	27	150	110	15	268	E1 55R-01 1069	JSK 37 EW	W+LT1P	3
JSK DH E0 27 CS FF	315	27	150	110	15	269	E1 55R-01 1069	JSK 37 EW	W+LT1P	4
JSK DH E0 28 I6 AA	365	45	200	110	15	266	E1 55R-01 1069	JSK 37 E	Z	1
JSK DH E0 28 I3 AA	365	45	200	110	15	267	E1 55R-01 1069	JSK 37 EW	W+LT1P	1
JSK DH E0 28 I6 EO	365	45	200	110	15	267	E1 55R-01 1069	JSK 37 E	Z	2
JSK DH E0 28 I3 EO	365	45	200	110	15	268	E1 55R-01 1069	JSK 37 EW	W+LT1P	2
JSK DH E0 28 I6 EP	365	45	200	110	15	268	E1 55R-01 1069	JSK 37 E	Z	3
JSK DH E0 28 I3 EP	365	45	200	110	15	269	E1 55R-01 1069	JSK 37 EW	W+LT1P	3
JSK DH E0 28 CS FF	365	45	200	110	15	269	E1 55R-01 1069	JSK 37 EW	W+LT1P	4

Explanations:

WA/Maintenance

Z = prepared for central lubrication and two LubeTronic 1Point for lubrication of joints

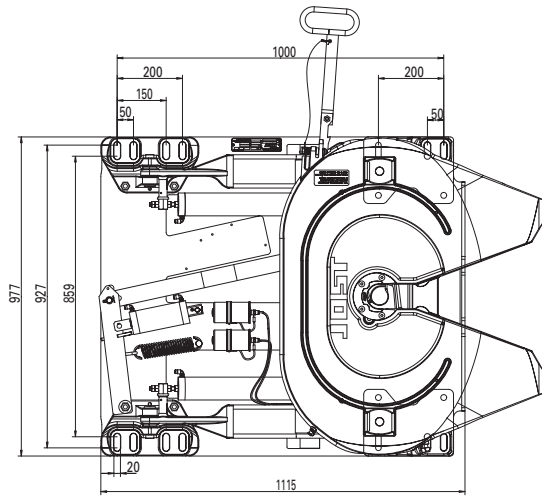
W+LT1P = low-maintenance version with plastic top plate liners and LubeTronic 1Point for lock jaw lubrication

Mounting instructions at www.jost-world.com

JSK DH

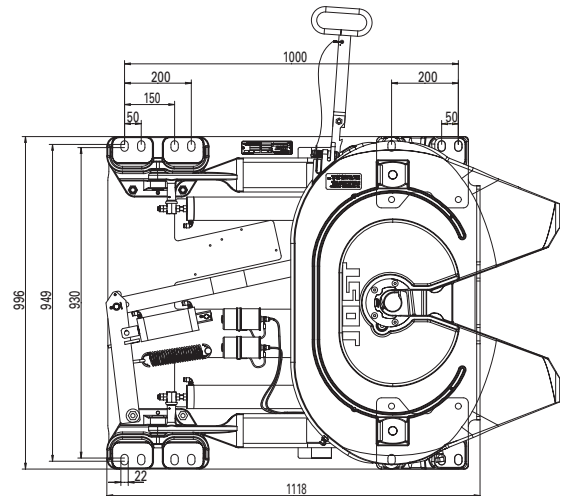
Version 1:

DAF, IVECO, Mercedes-Benz, Scania



Version 2:

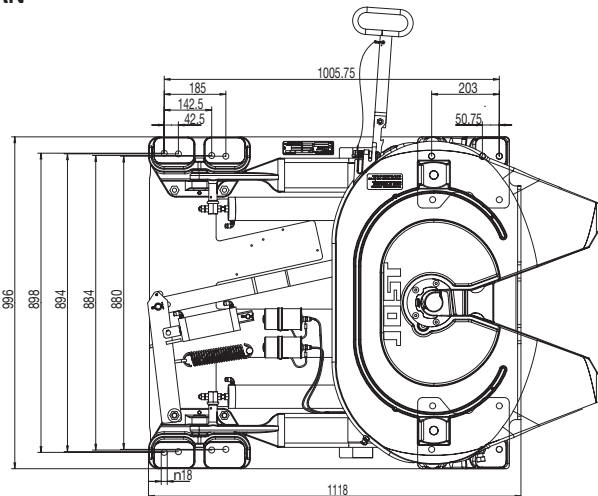
Mercedes-Benz (Actros new)*, Renault, Volvo



* If the dual-height fifth wheel system is retrofitted with an existing fifth wheel coupling, the elevated mounting angles must be changed. The elevated mounting angles A 663 316 00 55 und A 663 316 01 55 can be obtained from Mercedes-Benz.

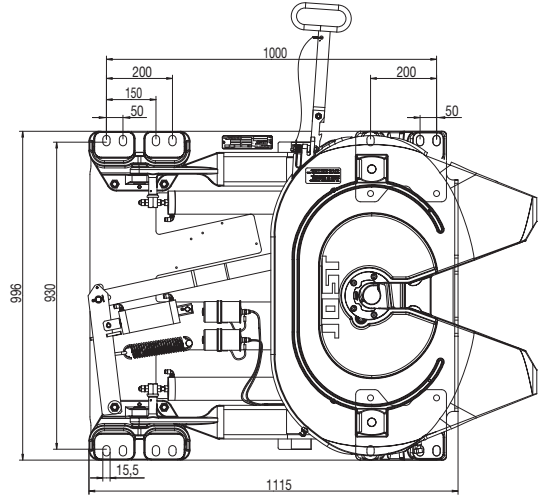
Version 3:

MAN**

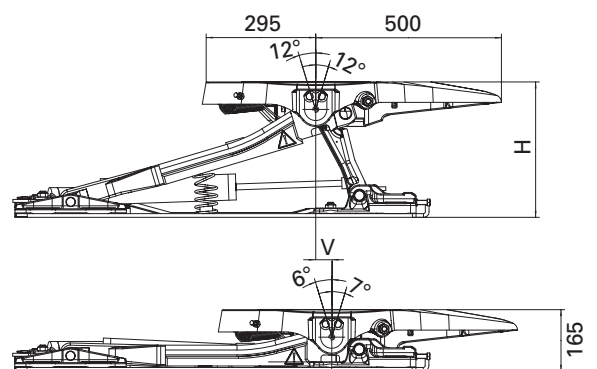


Version 4:

Volvo

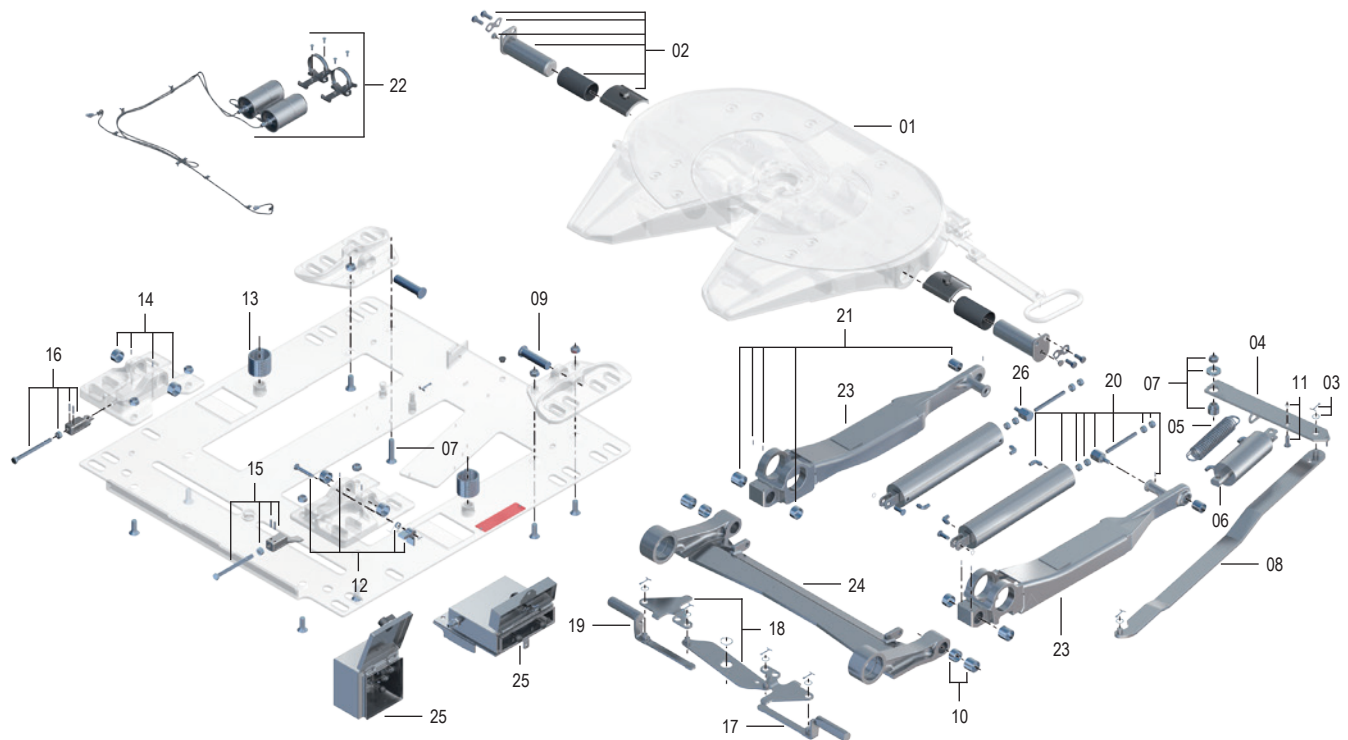


** If the dual-height fifth wheel system is retrofitted with an existing fifth wheel coupling, the elevated mounting angles must be adapted to the hole pattern. Please contact us.



JSK DH with JSK 37 E / EW

Spare parts



Item	Description	Remark	Order No.	per DH
01	Fifth wheel coupling	*		
02	Fifth wheel coupling bearing	compl.	DH 1019902	2
03	Split pin	compl.	DH 1019903	1
04	Lever		DHE1011600	1
05	Double tension spring		SK 2405-23	1
06	Closing cylinder		DHE1011100	1
07	Spacer bushing	compl.	DH 1019907	1
08	Lever (DH 150)		DH 1006210	1
09	Lever (DH 200)		DH 1019908	1
10	Pivot pin		DH 1019909	2
11	Bushing set 1		DH 1019910	2
12	Latch	compl.	DH 1019912	1
13	Spring		DH 1019913	2
14	Bushing set 2		DH 1019914	2
15	Wedge right	compl.	DH 1019915	1
16	Wedge left	compl.	DH 1019916	1
17	Locking pin, right		DH 1019917	1
18	Elbow lever	compl.	DH 1019918	1
19	Locking pin left		DH 1019919	1

Item	Description	Remark	Order No.	per DH
20	Cylinder	compl.	DH 1019920	2
21	Bushing set 3		DH 1019921	2
22	Lubrication kit, 2 x LubeTronic for JSK DH	incl. holder, hoses, mounting parts	DHE110250000	1
oZ	Replacement cartridges incl. batteries	2x replacement cartridge lubricant, 2x battery	DHE110260000	1
23	Stay arm right		DHE1011900	1
23	Stay arm left		DHE1012000	1
24	Rocker arm (DH 150)		DHE102050020	1
24	Rocker arm (DH 200)		DHE100150020	1
25	Control device		DHE1011800	1
25	Control device	for JSKDHE0xxxxFF	DHE107900000	1
26	Cylinder receptacle	compl.	DHE1001300	2
oZ	pneumatic distribution device	for JSKDHE0xxxxFF	DHE1016000	1
oZ	compressed air hose 15m		V 1021-16	1

* The base plate, pedestals and the fifth wheel plate are not available as a full set of spare parts. For spare parts for the fifth wheel coupling, see JSK37E.

Repair and retrofit kits

Description	Order No.	per DH
Mounting kit in version 1 and 3: 10 x hexagonal screws M16 x 1,5 x 70 4 x hexagonal screws M16 x 1,5 x 90 14 x nuts M16 x 1,5 16 x washers A17 6 x double washer	DH 1019950	1
Mounting kit in version 2: 10 x hexagonal screws M20 x 1,5 x 80 4 x hexagonal screws M20 x 1,5 x 100 14 x nuts M20 x 1,5 28 x washers A21	DHE001151245	1

Description	Order No.	per DH
Pneumatic kit: 1 x control device 2 x plug connector L6/L6/L6 15 m compressed air hose	DHE1011800	1
Control device for Volvo for JSK DHE027CSFF and JSK DHE028CSFF	DHE107900000	1

Repair instructions at www.jost-world.com