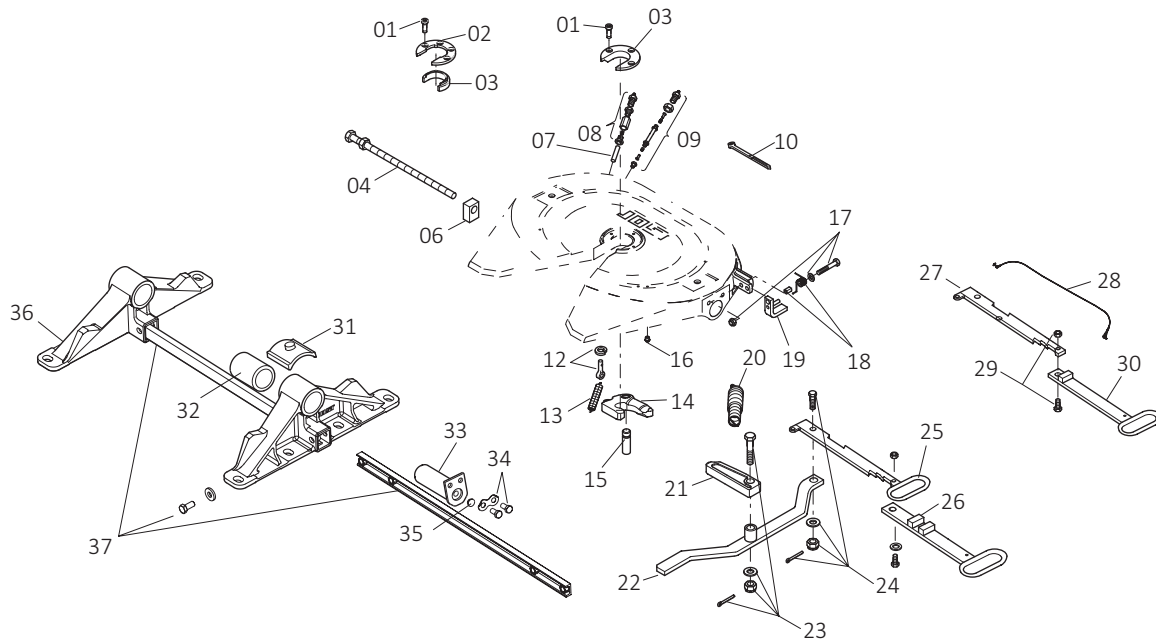


JSK 37 ER

Spare parts

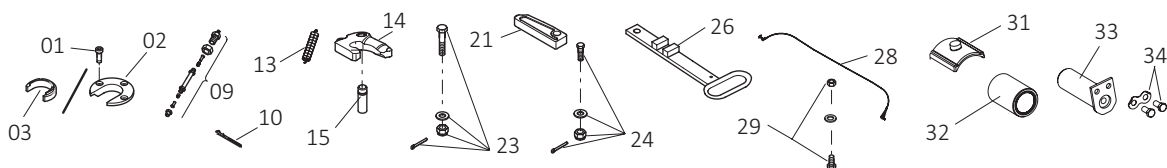


| Item | Description | Remark | Order No. | per JSK |
|------|-----------------------|---------------------|--------------|---------|
| 01 | Socket head bolt | to xx31xxxxxx | SK 2121-07 | 3 |
| 01 | Socket head bolt | from xx34xxxxxx | SK 3121-55 | 4 |
| 02 | Mounting ring | from xx34xxxxxx | SK 3105-93 | 1 |
| 03 | Wearing ring | to xx31xxxxxx | SK 2105-19 | 1 |
| 03 | Locking bolt | from xx34xxxxxx | SK 3105-92 | 1 |
| 04 | Adjusting screw | | SKE500740220 | 1 |
| 06 | Guide | | SK 3205-07 | 1 |
| 07 | Lubrication tube | to xx31xxxxxx | SK 1989 | 1 |
| 08 | Nut and bolt | to xx31xxxxxx | SK 1976 | 1 |
| 09 | Lubrication tube | compl. with item 10 | SK 3108-02 | 1 |
| 10 | Cable tie | | SK 3121-13 | 1 |
| 12 | Eye bolt | compl. | SK 2122-04 | 1 |
| 13 | Tension spring | | SK 847 | 1 |
| 14 | Lock jaw | compl. with item 10 | SK 1489 Z | 1 |
| 15 | Bolt | | SK 2106-67 | 1 |
| 16 | Threaded stopper | | 000.010.021 | 4 |
| 17 | Hexagon bolt | compl. | SK 3521-03 | 1 |
| 18 | Spring noose | compl. | SK 3121-59 | 1 |
| 19 | Latch | compl. | SK 3121-52 | 1 |
| 20 | Double tension spring | | SK 3105-20 | 1 |
| 21 | Locking bolt | | SK 3205-06 | 1 |
| 22 | Lever | | SK 3105-18 | 1 |
| 23 | Bar bolt | compl. | SK 3221-01 | 1 |

| Item | Description | Remark | Order No. | per JSK |
|------|------------------|-------------------------|---------------|---------|
| 24 | Hexagon bolt | compl. | SK 1513 | 1 |
| 25 | Handle | standard vers. | SK 3105-15 | 1 |
| 26 | Handle extension | only in retrofit kit | | |
| 27 | Locking bolt | for type J | SK 3105-115 | 1 |
| 28 | Latch cord | compl. for type J | SK 3521-02 | 1 |
| 29 | Hexagon bolt | compl. for type J | SK 2421-50 | 1 |
| 30 | Handle | for type J | SK 3105-113 | 1 |
| 31 | Collar | | SK 3105-95 | 2 |
| 32 | Rubber bushing | compl. | SK 2905-94 | 2 |
| 33 | Pivot pin | with item 35 | SK 3104-05 | 2 |
| 34 | Hexagon bolts | compl. | SK 3121-071 | 2 |
| 35 | Plug | | JS 1101-012 | 2 |
| 36 | Pedestal H 148* | for version 01 | SK 3104-40-01 | 2 |
| 36 | Pedestal H 148* | for version 02 | SK 3104-40-02 | 2 |
| 36 | Pedestal H 190 | for version 01 | SK 3104-41-01 | 2 |
| 36 | Pedestal H 190 | for version 02 | | |
| 36 | Pedestal H 225 | for version 01 | | |
| 36 | Pedestal H 225 | for version 02 | | |
| 37 | Traverse | compl. f. H 190 + H 225 | SK 3104-47 | 1 |

* Vehicle manufacturers stipulate an additional frame plate as reinforcement for this mounting height. Please follow the mounting guidelines given by the vehicle manufacturer.

Repair and retrofit kits



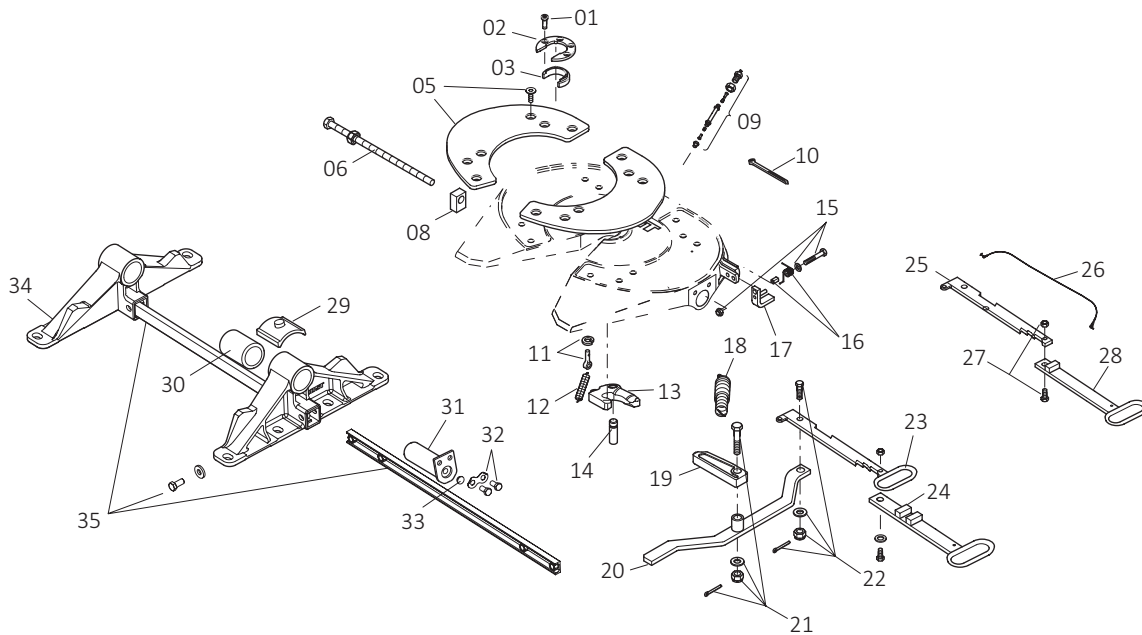
| Item | Description | Order No. |
|--------------------------------|-------------------------------------|--------------|
| 01, 03, 09, 13, 14, 15 | Repair kit for lock to xx31xxxxxx | SK 3221-50 Z |
| 09, 13, 14, 15 | Repair kit for lock | SK 3221-52 Z |
| 01, 03, 09, 13, 14, 15, 24 | Repair kit for lock to xx31xxxxxx | SK 3121-56 Z |
| 01, 02, 03, 09, 12, 13, 14, 23 | Repair kit for lock from xx34xxxxxx | SK 3121-60 Z |

| Item | Description | Order No. |
|--|--------------------------------------|---------------|
| 31, 32, 33, 34, 35 | Repair kit for bearing | SK 3121-61 |
| 26, 28, 29 | Retrofit kit handle extension compl. | SK 3121-063 |
| 01, 03, 09, 10, 13, 14, 15, 21, 23, 24 | Repair kit for lock to xx31xxxxxx | SK 3121-072 Z |

Repair instructions at www.jost-world.com

JSK 37 ERW

Spare parts

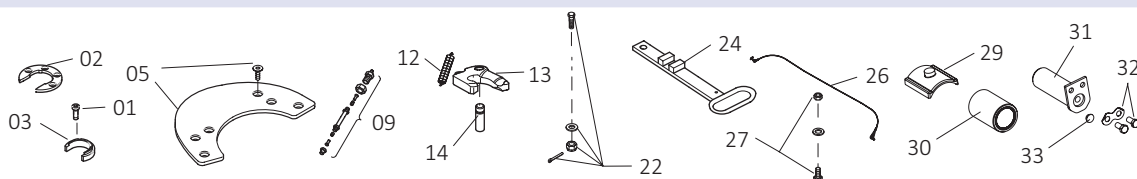


| Item | Description | Remark | Order No. | per JSK |
|------|-----------------------|---------------------|--------------|---------|
| 01 | Socket head bolt | | SK 3121-55 | 4 |
| 02 | Mounting ring | | SK 3105-93 | 1 |
| 03 | Locking bolt | | SK 3105-92 | 1 |
| 05 | Slide washer, left | compl. with screws | SK 3105-129L | 1 |
| 05 | Slide washer, right | compl. with screws | SK 3105-129R | 1 |
| 06 | Adjusting screw | | SKE500740220 | 1 |
| 08 | Guide | | SK 3205-07 | 1 |
| 09 | Lubrication tube | compl. with item 10 | SK 3108-02 | 1 |
| 10 | Cable tie | | SK 3121-13 | 1 |
| 11 | Eye bolt | compl. | SK 2122-04 | 1 |
| 12 | Tension spring | | SK 847 | 1 |
| 13 | Lock jaw | compl. with item 10 | SK 1489 Z | 1 |
| 14 | Bolt | | SK 2106-67 | 1 |
| 15 | Hexagon bolt | compl. | SK 3521-03 | 1 |
| 16 | Spring noose | compl. | SK 3121-59 | 1 |
| 17 | Latch | compl. | SK 3121-52 | 1 |
| 18 | Double tension spring | | SK 3105-20 | 1 |
| 19 | Locking bolt | | SK 3205-06 | 1 |
| 20 | Lever | | SK 3105-18 | 1 |
| 21 | Bar bolt | compl. | SK 3221-01 | 1 |
| 22 | Hexagon bolt | compl. | SK 1513 | 1 |

| Item | Description | Remark | Order No. | per JSK |
|------|------------------|-------------------------|---------------|---------|
| 23 | Handle | standard vers. | SK 3105-15 | 1 |
| 24 | Handle extension | only in retrofit kit | | |
| 25 | Locking bolt | for type J | SK 3105-115 | 1 |
| 26 | Latch cord | compl. for type J | SK 3521-02 | 1 |
| 27 | Hexagon bolt | compl. for type J | SK 2421-50 | 1 |
| 28 | Handle | for type J | SK 3105-113 | 1 |
| 29 | Collar | | SK 3105-95 | 2 |
| 30 | Rubber bushing | compl. | SK 2905-94 | 2 |
| 31 | Pivot pin | with item 33 | SK 3104-05 | 2 |
| 32 | Hexagon bolts | compl. | SK 3121-071 | 2 |
| 33 | Plug | | JS 1101-012 | 2 |
| 34 | Pedestal H 148* | for version 01 | SK 3104-40-01 | 2 |
| 34 | Pedestal H 148* | for version 02 | SK 3104-40-02 | 2 |
| 34 | Pedestal H 190 | for version 01 | SK 3104-41-01 | 2 |
| 34 | Pedestal H 190 | for version 02 | | |
| 34 | Pedestal H 225 | for version 01 | | |
| 34 | Pedestal H 225 | for version 02 | | |
| 35 | Traverse | compl. f. H 190 + H 225 | SK 3104-47 | 1 |

* Vehicle manufacturers stipulate an additional frame plate as reinforcement for this mounting height. Please follow the mounting guidelines given by the vehicle manufacturer.

Repair and retrofit kits



| Item | Description | Order No. |
|--------------------------------|-----------------------------|--------------|
| 09, 12, 13, 14 | Repair kit for lock | SK 3221-52 Z |
| 01, 02, 03, 09, 12, 13, 14, 22 | Repair kit for lock | SK 3121-60 Z |
| 05 | Repair kit washer with srew | SK 3106-003 |

| Item | Description | Order No. |
|--------------------|--------------------------------------|-------------|
| 29, 30, 31, 32, 33 | Repair kit for bearing | SK 3121-61 |
| 24, 26, 27 | Retrofit kit handle extension compl. | SK 3121-063 |

Repair instructions at www.jost-world.com