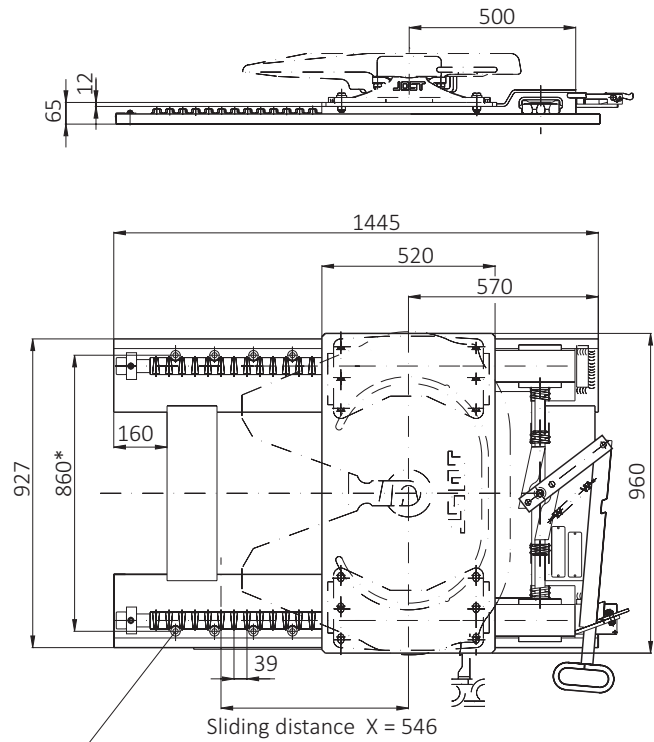
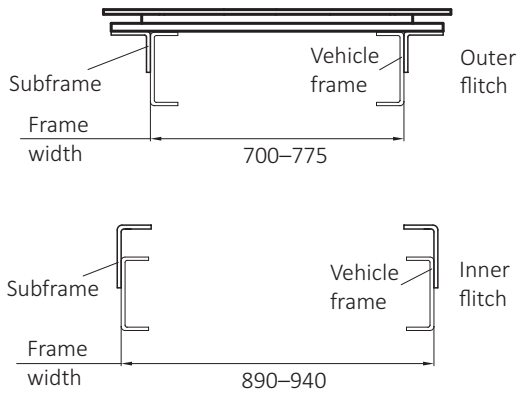


Sliders · EV M

Mounting on the vehicle frame

Suitable for frame with outer flitches having a frame width of 700–775 mm. In the case of frame with inner flitches having a frame width of 890–940 mm.



* recommended hole pattern
10 x countersink on each side
for countersunk bolts M14

Selection table / Versions available

Order No.	D value (kN)	Imposed load U (t)	Weight (kg)	Approval (EG)
EV M	133	18	186	–

* Without holes

Technical Specification

Slider with connection hole pattern as per ISO 3842 for fifth wheel couplings as per DIN 74081 with fifth wheel coupling mounting heights of up to 250 mm, especially for the JSK 42 with DIN bearing.



Mounting and operating
instructions / Repair Manuals