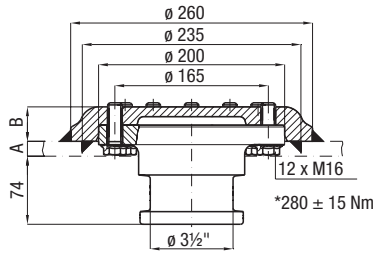
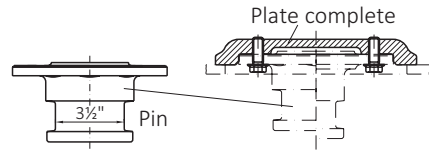


KZ 1416

KZ 1416



* Torque



KZ 1416-01

Selection table / Versions available

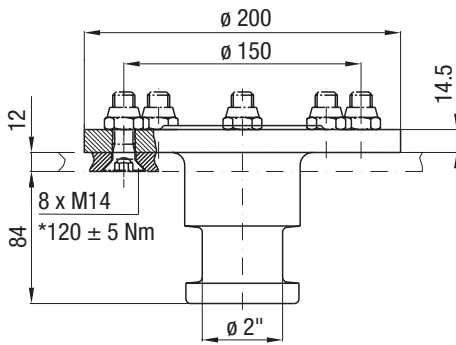
Order No. King pins, compl.	D value (kN)	A (mm)	B (mm)	Approval (ECE)
KZ 1416	170	16	37	E1 55R-01 1572

Delivery includes

- King pin complete with plate and screws (mounted)

KZ 1312

KZ 1312



* Torque

Selection table / Versions available

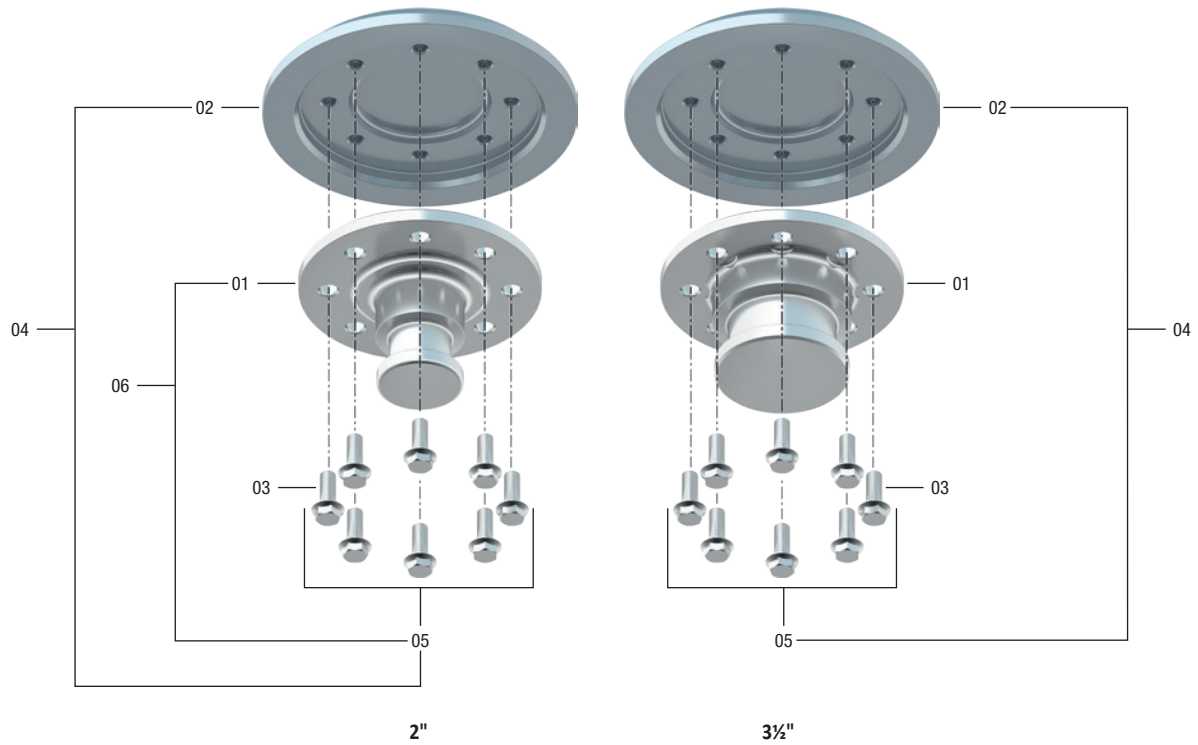
Order No. King pins, compl.	D value (kN)	Approval (D)
KZ 1312	105	F 3458

Mounting kit = KZE 1312-05, consisting of 8 screws with self-locking nuts (please order separately).



KZ 10.., 14.., 15.., 52..

Spare parts



Item	Description	Remark	Order No.	per King pin
01	Pin	for KZ 1416	KZ 1416-01	1
01	Pin	for KZ 1016	KZ 1016-01	1
01	Pin	for KZ 1516	KZ 1516-01	1
01	Pin	for KZ 1008, KZ 1010, KZ 1012	KZ 1012-01	1
01	Pin	for KZ 1410, KZ 1412	KZ 1412-01	1
01	Pin	for KZ 5216	KZ 5216-01	1
02	Retention plate	for KZ 1416	KZ 1416-02	1
02	Retention plate	for KZ 1012, KZ 1412	KZ 1012-02	1
02	Retention plate	for KZ 1010, KZ 1410	KZ 1010-02	1
02	Retention plate	for KZ 1008	KZ 1008-02	1
02	Retention plate	for KZ 1516, KZ 1016	KZ 1016-02	1
02	Retention plate	for KZ 5216	KZ 5216-02	1
03	Bolt	for KZ 1516, KZ 1016, KZ 5216	KZE 1016-06	8
03	Bolt	for KZ 1416	KZE 1416-03	12
03	Bolt	for KZ 1008, KZ 1010, KZ 1012, KZ 1410, KZ 1412	KZE 1012-03	8
04	Retention plate (kit)	with 03 for KZ 1008	KZ 1008-04	1
04	Retention plate (kit)	with 03 for KZ 1010, KZ 1410	KZ 1010-04	1
04	Retention plate (kit)	with 03 for KZ 1012, KZ 1412	KZ 1012-04	1
04	Retention plate (kit)	with 03 for KZ 1416	KZ 1416-04	1
04	Retention plate (kit)	with 03 for KZ 1516, KZ 1016	KZ 1016-04	1
04	Retention plate (kit)	with 03 for KZ 5216	KZ 5216-04	1
05	Bolt kit (kit)	with 03 for KZ 1008, KZ 1010, KZ 1012, KZ 1410, KZ 1412	KZ 1012-006	1
06	Pin (kit)	with 03 for KZ 1008, KZ 1010, KZ 1012	KZ 1012-08	1