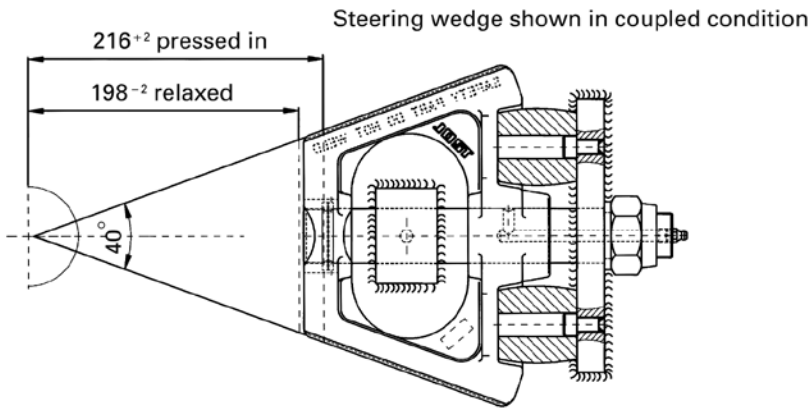
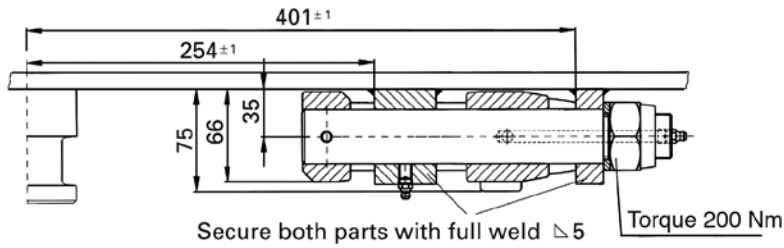
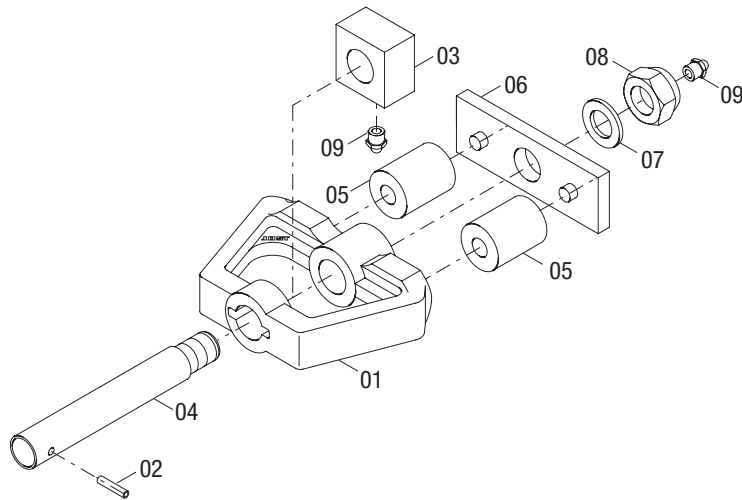


# Accessories · Spring-loaded steering wedge SK 2122-40



## Spare parts



Item	Description	Order No.	per steering wedge
01	Steering wedge	SK 2122-41	1
02	Clamping pin	SK 2122-46	1
03	Block	SK 2122-42	1
04	Bar	SK 2122-43	1
05	Rubber suspension	SK 2122-47	2

Item	Description	Order No.	per steering wedge
06	Plate	SK 2122-44	1
07	Washer	SK 2122-48	1
08	Lock nut	SK 2122-49	1
09	Taper grease nipple	SK 2121-02	2

## Technical Specification

The steering wedge for forced steering semi-trailers complies with DIN 74085. It is designed for use in 2" and 3½" fifth wheel coupling plates as per DIN 74081 or 74084. The steering wedge meets the requirements for piggyback transportation.