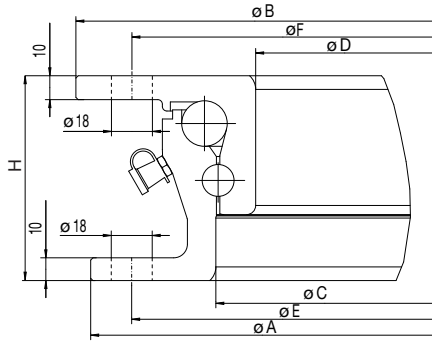
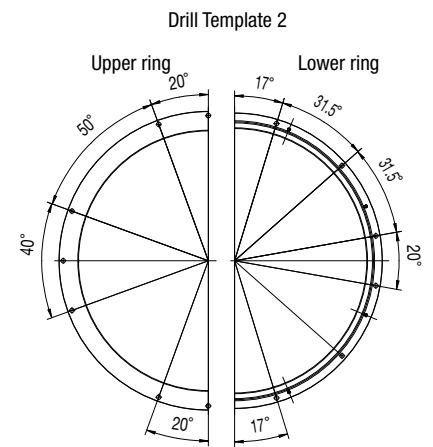
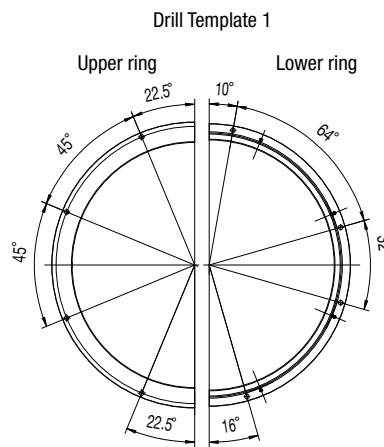
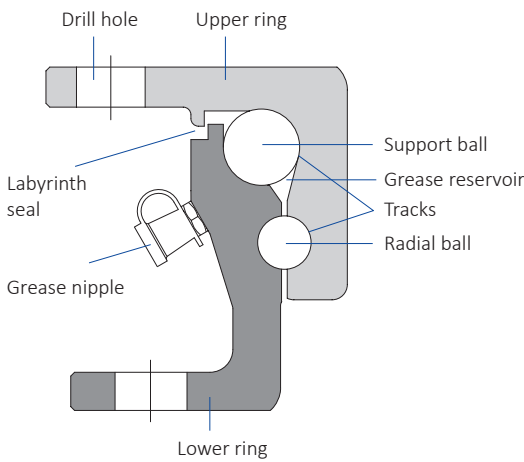


# Ball bearing turntables · KLK DR



## Specification

- E-coating
- Labyrinth seal
- Drilled/Undrilled
- Special drill templates available upon request
- Lubricant dispenser (optional)
- Splined bolts (optional)



## Selection table / Versions available

Type	Order No. (drilled)	Order No. (undrilled)	Permitted axial load (kN)	A (mm)	B (mm)	C (mm)	D (mm)	E (mm)	F (mm)	H (mm)	Hole pattern	Weight (kg)
DR81100-10	KLKDR81100-10	KLKDR8000010K	100	1095	1108	976	960	1060	1074	80	1	72
DR1000-12	KLKDR1000-12	KLKDR2000010K	120	987	1000	868	842	952	966	90	1	73
DR1000-14	KLKDR1000-14	KLKDR4000010K	140	987	1000	868	842	952	966	90	1	73
DR1000-16	KLKDR1000-16	KLKDR4100010K	160	987	1000	868	842	952	966	90	1	73
DR1100-13	KLKDR1100-13	KLKDR4800010K	130	1095	1108	976	950	1060	1074	90	1	80
DR1100-16	KLKDR1100-16	KLKDR2100010K	160	1095	1108	976	950	1060	1074	90	1	80
DR1100-20	KLKDR1100-20	KLKDR4200010K	200	1095	1108	976	950	1060	1074	90	1	80
DR1200-10	KLKDR1200-10	KLKDR4500010K	100	1195	1208	1076	1050	1160	1174	90	1	90
DR1200-10	KLKDR45AE010K	KLKDR4500010K	100	1195	1208	1076	1050	1160	1174	90	2	90
DR1200-13	KLKDR1200-13	KLKDR4600010K	130	1195	1208	1076	1050	1160	1174	90	1	90
DR1200-13	KLKDR46AE010K	KLKDR4600010K	130	1195	1208	1076	1050	1160	1174	90	2	90
DR1200-16	KLKDR47AE010K	KLKDR4700010K	160	1195	1208	1076	1050	1160	1174	90	2	90
DR1200-20	KLKDR2202010K	KLKDR2200010K	200	1195	1208	1076	1050	1160	1174	90	1	90
DR1200-20	KLKDR1200-20	KLKDR2200010K	200	1195	1208	1076	1050	1160	1174	90	2	90
DR1200-26	KLKDR1200-26	KLKDR4300010K	260	1195	1208	1076	1050	1160	1174	90	2	92
DR1200-30	KLKDR1200-30	KLKDR4400010K	300	1195	1208	1076	1050	1160	1174	90	2	92