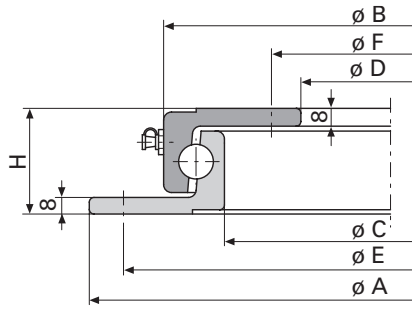


Ball bearing turntables · KLK L and N



Specification

- E-coating
- Standard
- Undrilled
- Special drill templates available upon request

Scope

Application	Speed	Series
Farm vehicle	up to 30 km/h	L
Transport equipment	up to 30 km/h	L
Farm vehicle, heavy	over 30 km/h	N
Truck trailer, light	over 30 km/h	N

At a speed of less than 30 km/h the maximum axial load for the N series can be increased by 30 to 50%.

Selection table / Versions available

Order No.	Permitted axial load (kN)	A (mm)	B (mm)	C (mm)	D (mm)	E (mm)	F (mm)	H (mm)	Weight (approx. kg)
KLK 400L	7.5	400	342	292	230	375	260	45	11
KLK 500L	9	500	442	392	330	475	360	45	15
KLK 650L	15	650	592	542	480	625	510	45	20
KLK 750L	18	750	692	642	580	725	610	45	23
KLK 850L	25	850	792	742	680	825	710	45	27
KLK 950L	30	950	892	842	780	925	810	45	30
KLK 1050L	35	1050	992	942	880	1025	910	45	34
KLK 500N	18	500	437	384	315	475	340	52	17
KLK 650N	25	650	587	534	465	625	490	52	23
KLK 750N	30	750	687	634	565	725	590	52	28
KLK 850N	35	850	787	734	665	825	690	52	32
KLK 950N	40	950	887	834	765	925	790	52	36
KLK 1050N	45	1050	987	934	865	1025	890	52	40