

Landing gears · Modul CB

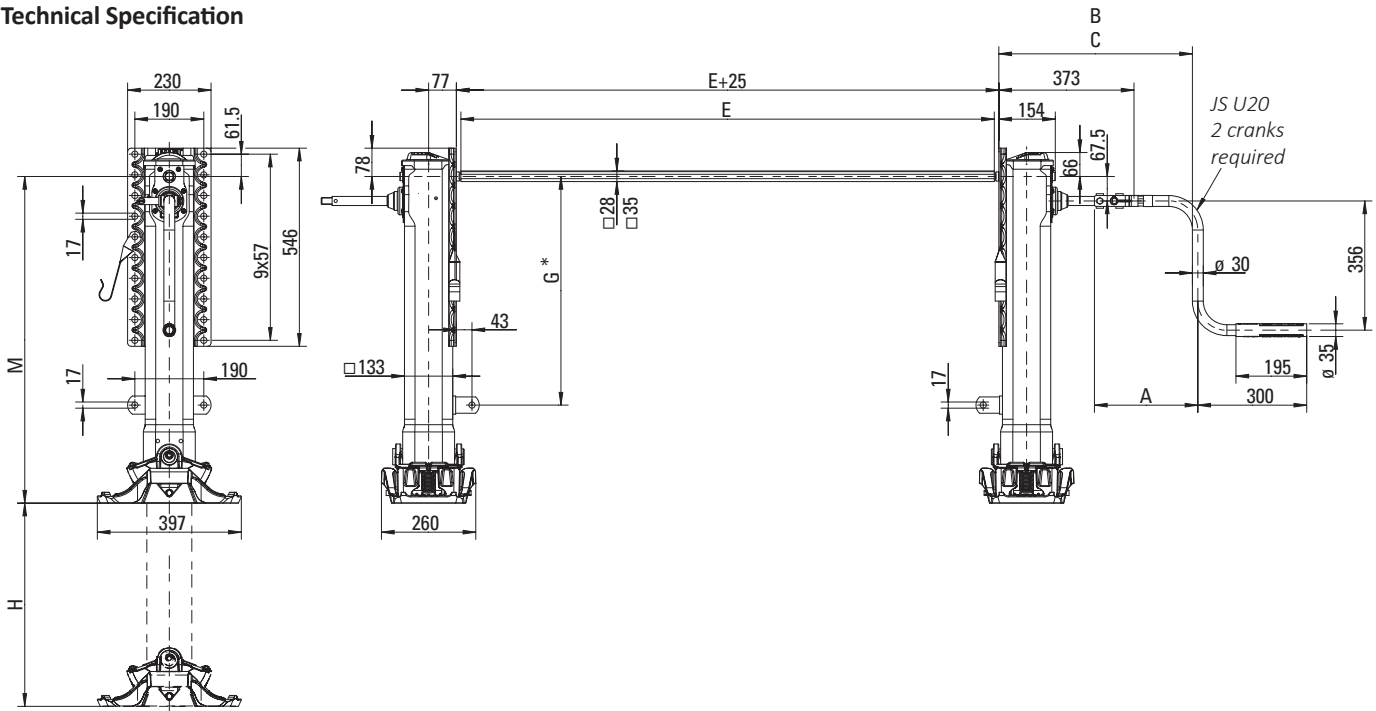
Advantages at a glance

- Can be operated by two persons (two side operation)
- Reduced crank force
- Operation from either side alone is possible

Technical Features

- Special handle for two side operation

Technical Specification



Technical Data (per kit)

Characteristic	Value
Lifting capacity	24 t
Static test load	50 t
Lift per turn of handle	
– Low gear	0,9 mm
– High gear	15,0 mm
Crank force per crank at 16 t lifting capacity	110 N

Remark:

* With double back plate or plate bottom brace lugs can be ordered separately for the mounting height 750, 700, 650.

Crank handles and connection shafts need to be ordered separately and are shipped unassembled.

Order numbers and dimensions of A, B, C and E can be found on Page 132.

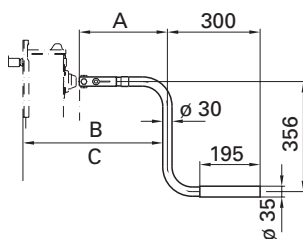
Selection table / Versions available

Order No.	M (mm)	H (mm)	G (mm)	Back plate	Foot	Order No.	M (mm)	H (mm)	G (mm)	Back plate	Foot
CB201110000	900	560	630	upper	S	CB204110000	750	430	480	upper	S
CB201120000	900	560	630	upper	A	CB204120000	750	430	480	upper	A
CB201140000	900	560	630	upper	T	CB204140000	750	430	480	upper	T
CB201210000	900	560	630	lower	S	CB204210000	750	430	480	lower	S
CB201220000	900	560	630	lower	A	CB204220000	750	430	480	lower	A
CB201240000	900	560	630	lower	T	CB204240000	750	430	480	lower	T
CB201310000	900	560	630	double	S	CB204310000	750	430	480	double	S
CB201320000	900	560	630	double	A	CB204320000	750	430	480	double	A
CB201340000	900	560	630	double	T	CB204340000	750	430	480	double	T
CB201160000	850	560	630	upper	TC	CB204160000	700	430	480	upper	TC
CB201260000	850	560	630	lower	TC	CB204260000	700	430	480	lower	TC
CB201360000	850	560	630	double	TC	CB204360000	700	430	480	double	TC
CB202110000	850	520	580	upper	S	CB205110000	700	400	430	upper	S
CB202120000	850	520	580	upper	A	CB205120000	700	400	430	upper	A
CB202140000	850	520	580	upper	T	CB205140000	700	400	430	upper	T
CB202210000	850	520	580	lower	S	CB205210000	700	400	430	lower	S
CB202220000	850	520	580	lower	A	CB205220000	700	400	430	lower	A
CB202240000	850	520	580	lower	T	CB205240000	700	400	430	lower	T
CB202310000	850	520	580	double	S	CB205310000	700	400	430	double	S
CB202320000	850	520	580	double	A	CB205320000	700	400	430	double	A
CB202340000	850	520	580	double	T	CB205340000	700	400	430	double	T
CB202160000	800	520	580	upper	TC	CB205160000	650	400	430	upper	TC
CB202260000	800	520	580	lower	TC	CB205260000	650	400	430	lower	TC
CB202360000	800	520	580	double	TC	CB205360000	650	400	430	double	TC
CB203110000	800	470	530	upper	S	CB206110000	650	350	380	upper	S
CB203120000	800	470	530	upper	A	CB206120000	650	350	380	upper	A
CB203140000	800	470	530	upper	T	CB206140000	650	350	380	upper	T
CB203210000	800	470	530	lower	S	CB206210000	650	350	380	lower	S
CB203220000	800	470	530	lower	A	CB206220000	650	350	380	lower	A
CB203240000	800	470	530	lower	T	CB206240000	650	350	380	lower	T
CB203310000	800	470	530	double	S	CB206310000	650	350	380	double	S
CB203320000	800	470	530	double	A	CB206320000	650	350	380	double	A
CB203340000	800	470	530	double	T	CB206340000	650	350	380	double	T
CB203160000	750	470	530	upper	TC	CB206160000	600	350	380	upper	TC
CB203260000	750	470	530	lower	TC	CB206260000	600	350	380	lower	TC
CB203360000	750	470	530	double	TC	CB206360000	600	350	380	double	TC

To complete your order for a Modul C please order the required crank handle and, if applicable, connection shaft separately.

Special crank handle for two side operation

Order No.	A	B (Low gear)	C (High gear)
JS U20	285	534	553
JS U21	385	634	653
JS U22	405	654	673
JS U23	450	699	718
JS U24	505	754	773
JS U25	550	799	818



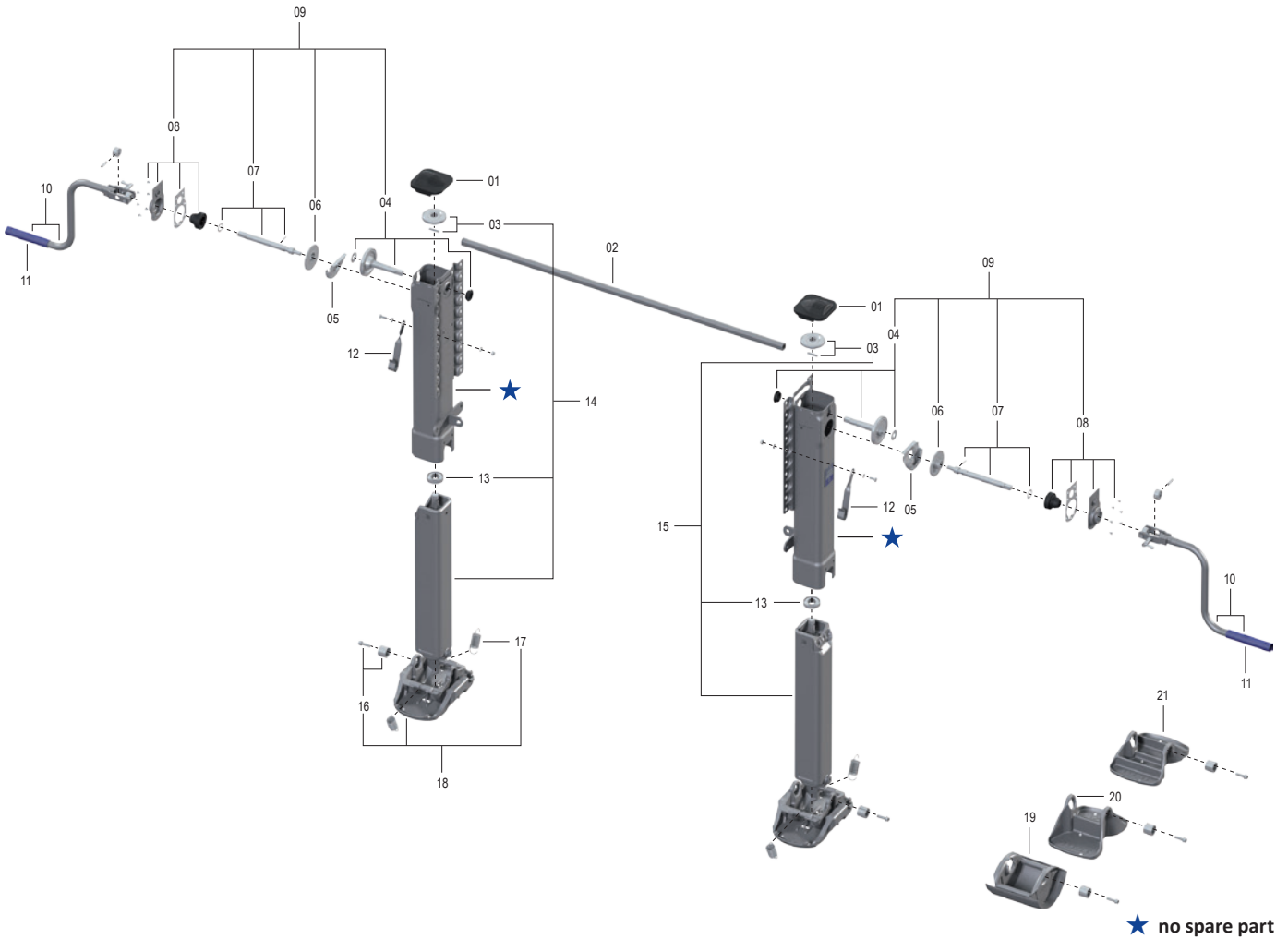
Connection shaft

Order No.	E (Length of connection shaft)
JS L01	1340
JS L02	1450
JS L03	1470
JS L04	1500
JS L05	1505
JS L06	1575
JS L07	1605
JS L08	1635
JS L09	1700
JS L10	1790



Modul CB

Spare parts



Item	Description	Remark	Order No.	per kit
01	Cover		JS E0046100	2
02	See individual components			1
03	Bevel gear with bolts		JS E0058600	2
04	Shaft with bearing		JS E0058700	2
05	Grease tank		JS E0002000	2
06	Gear		JS E0055800	2
07	Crank shaft	compl.	JS E0062100	2
08	Bearing holder	compl.	JS E0058800	2
09	Drive	compl., with 04, 06, 07 + 08	JS E0089800	2
10	See individual components ^a			2
11	Crank bushing		JS E0042700	2
12	Crank parking hook	for crank 285–385 mm	JS E0040201	2
12	Crank parking hook	for crank 405–550 mm	JS E0040202	2
13	Axial bearing with washer		JS E0066401	2
14	* Mh-01/900 Cover left with spindle and bearing	with 13 + 03	JS E0060501	1
14	* Mh-02/850 Cover left with spindle and bearing	with 13 + 03	JS E0060502	1
14	* Mh-03/800 Cover left with spindle and bearing	with 13 + 03	JS E0060503	1
14	* Mh-04/750 Cover left with spindle and bearing	with 13 + 03	JS E0060504	1
14	* Mh-05/700 Cover left with spindle and bearing	with 13 + 03	JS E0060505	1
14	* Mh-06/650 Cover left with spindle and bearing	with 13 + 03	JS E0060506	1
15	* Mh-01/900 Cover right with spindle and bearing	with 13 + 03	JS E0056201	1
15	* Mh-02/850 Cover right with spindle and bearing	with 13 + 03	JS E0056202	1
15	* Mh-03/800 Cover right with spindle and bearing	with 13 + 03	JS E0056203	1
15	* Mh-04/750 Cover right with spindle and bearing	with 13 + 03	JS E0056204	1

Item	Description	Remark	Order No.	per kit
15	* Mh-05/700 Cover right with spindle and bearing	with 13 + 03	JS E0056205	1
15	* Mh-06/650 Cover right with spindle and bearing	with 13 + 03	JS E0056206	1
16	Bolt and nuts**		JS E1043300	2
17	Spring		JS E0012900	4
18	S-Foot	compl., with 16 + 17***	JS D01	2
19	A-Foot	compl., with 16***	JS D02	2
20	T-Foot	compl., with 16***	JS D04	2
21	TC-Foot	compl., with 16* & ***	JS D06	2

a Crank kit see Page 134.

* With the 06/TC foot version, item 30, the installation height Mh is reduced by 50 mm

** Nut and bolt up to September 2009 Order No. JS E1043300 (4 per Kit)

** Nut and bolt from September 2009 Order No. JS E1043300 (2 per Kit)

*** Only one fitting included in scope of delivery

Individual components

Item	Description	Remark	Order No.	per kit	Item	Description	Remark	Order No.	per kit
02	Connection shaft 1340 mm		JS L01	1	02	Connection shaft 1700 mm		JS L09	1
02	Connection shaft 1450 mm		JS L02	1	02	Connection shaft 1790 mm		JS L10	1
02	Connection shaft 1470 mm		JS L03	1	10	Crank 285 mm	with 11 + 12	JS U20	2
02	Connection shaft 1500 mm		JS L04	1	10	Crank 385 mm	with 11 + 12	JS U21	2
02	Connection shaft 1505 mm		JS L05	1	10	Crank 405 mm	with 11 + 12	JS U22	2
02	Connection shaft 1575 mm		JS L06	1	10	Crank 450 mm	with 11 + 12	JS U23	2
02	Connection shaft 1605 mm		JS L07	1	10	Crank 505 mm	with 11 + 12	JS U24	2
02	Connection shaft 1635 mm		JS L08	1	10	Crank 550 mm	with 11 + 12	JS U25	2



Information for ordering landing gears with two side operation

The following landing gears are available with two side operation as an option:

- CA (Page 181)
- CB (Page 138)
- CC (Page 143)
- CF (Page 153)
- CH (Page 159)
- CI (Page 162)
- CT (Page 167)
- CW (Page 170)
- CY (Page 173)

Please note the following when ordering:

Selection table / Versions available

The first digit in the order number changes from "1" (single side operation) to "2" (two side operation)

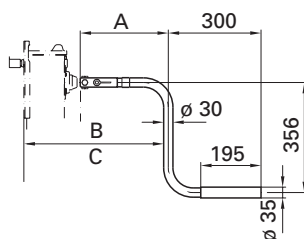
Example Order No.	M (mm)	H (mm)	Back plate	Foot	Operation
CC106470000	650	430	full length	T rigid	Single-side operation
CC206470000	650	430	full length	T rigid	Two-side operation

Accessories

To order a Module C for double-sided operation as a complete set, select the corresponding hand cranks and connection shafts.

Special cranks for two side operation

Order No.	A	B (Low gear)	C (High gear)
JS U20	285	534	553
JS U21	385	634	653
JS U22	405	654	673
JS U23	450	699	718
JS U24	505	754	773
JS U25	550	799	818



Connection shaft

Order No.	E (Length of connection shaft)
JS L01	1340
JS L02	1450
JS L03	1470
JS L04	1500
JS L05	1505
JS L06	1575
JS L07	1605
JS L08	1635
JS L09	1700
JS L10	1790