

# Landing gears · Modul CC

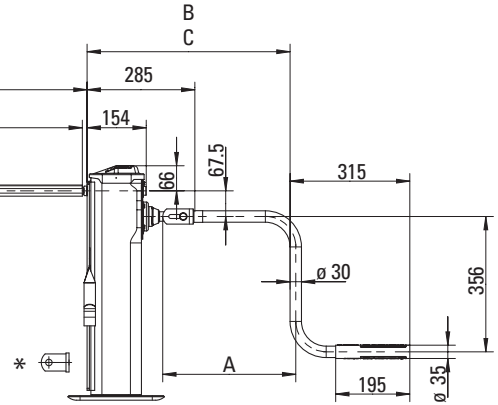
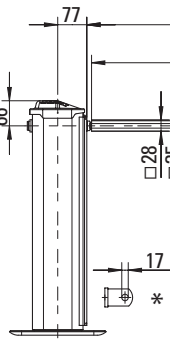
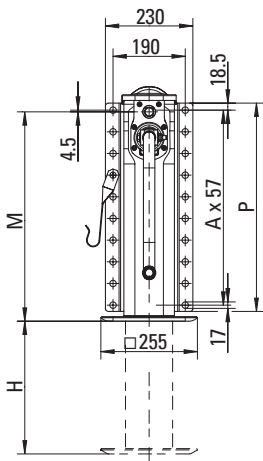
## Advantages at a glance

- Extremely compact design
- Maximum lift combined with low mounting height

## Technical Features

- Full length back plate
- Rigid sand shoe
- Also available with two side operation and special crank

### Technical Specification



**Remark:**

\* Brace lugs will be supplied unassembled.

Crank handles and connection shafts need to be ordered separately and are shipped unassembled.

Order numbers and dimensions of A, B, C and E can be found on Page 132.

### Selection table / Versions available

Order No.	M (mm)	H (mm)	P (mm)	Back plate	Foot
CC106470000	650	430	648	full length	T rigid
CC108470000	600	400	598	full length	T rigid
CC109470000	550	350	548	full length	T rigid
CC110470000	500	300	498	full length	T rigid
CC111470000	450	250	448	full length	T rigid

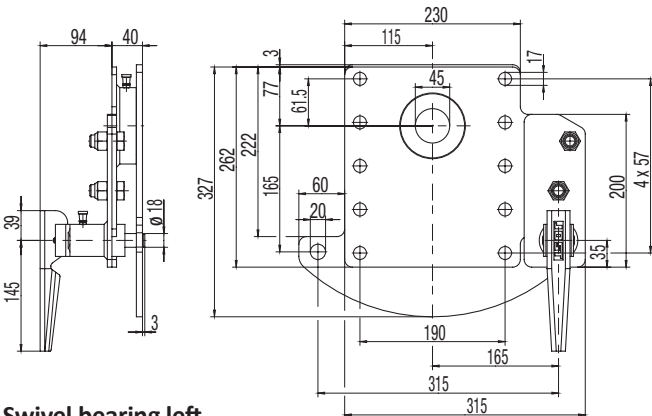
### Technical Data (per kit)

Characteristic	Value
Lifting capacity	24 t
Static test load	50 t
Lifting capacity and static test load by use of the swivel bearings JS E010.014 and JS E010.015	10 t
Lift per turn of handle	
– Low gear	0,9 mm
– High gear	15,0 mm
Crank force at 16 t lifting capacity	210 N

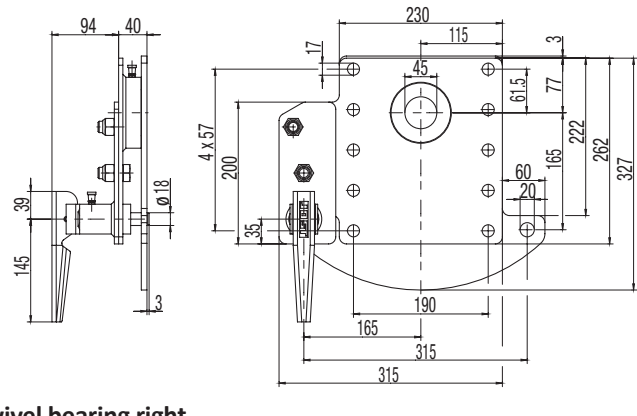
### Accessories

Order No.	Description
JS E010.014	Swivel bearing right
JS E010.015	Swivel bearing left
JS E020.005	Bolt kit (12 bolts and nuts)

Order No.	Description
JS E0095220	Spring lock for swivel bearing right
JS E0095320	Spring lock for swivel bearing left



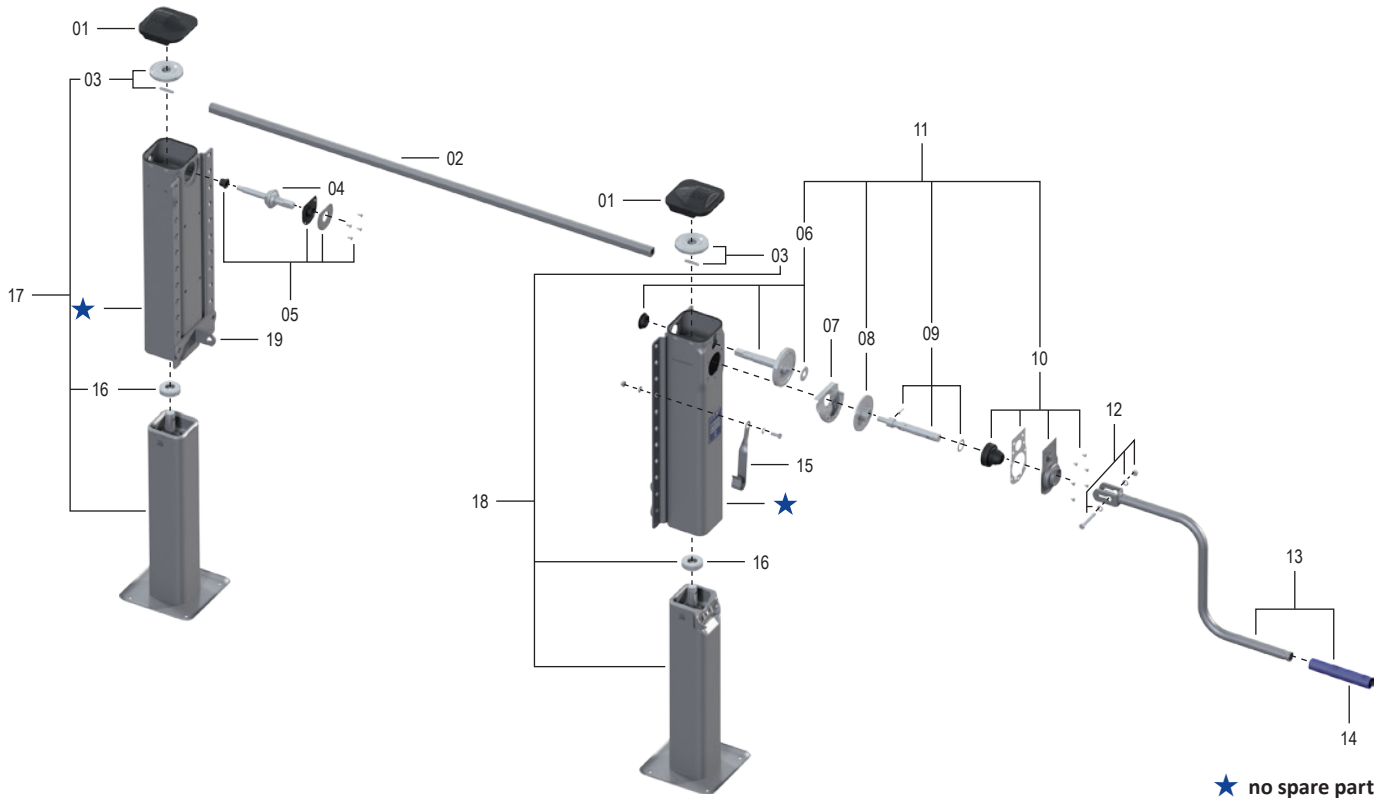
Swivel bearing left



Swivel bearing right

# Modul CC

## Spare parts



Item	Description	Remark	Order No.	per kit
01	Cover		JS E0046100	2
02	See individual components			1
03	Bevel gear with bolts		JS E0058600	2
04	Shaft		JS E0001500	1
05	Bearing	compl.	JS E0046200	1
06	Shaft with bearing		JS E0058700	1
07	Grease tank		JS E0002000	1
08	Gear		JS E0055800	1
09	Crank shaft	compl.	JS E0046500	1
10	Bearing holder	compl.	JS E0058800	1
11	Drive	compl., with 06, 08, 09 + 10	JS E0083700	1
12	Bolts, washers, nuts		JS E0043100	1
13	See individual components			1
14	Crank bushing		JS E0042700	1
15	Crank parking hook	for crank 415–480 mm (JS U02-JS U04)	JS E0040201	1
15	Crank parking hook	for crank 350 mm (JS U01)	JS E0040200	1
15	Crank parking hook	for crank 520–620 mm (JS U05-JS U08)	JS E0040202	1
16	Axial bearing		JS E0066401	2
17	Mh-06/650 Inner tube left + spindle and bearing	with 16 + 03	JS E0068901	1
17	Mh-08/600 Inner tube left + spindle and bearing	with 16 + 03	JS E0068902	1
17	Mh-09/550 Inner tube left + spindle and bearing	with 16 + 03	JS E0068903	1
17	Mh-10/500 Inner tube left + spindle and bearing	with 16 + 03	JS E0068904	1
17	Mh-11/450 Inner tube left + spindle and bearing	with 16 + 03	JS E0068905	1
18	Mh-06/650 Inner tube right + spindle and bearing	with 16 + 03	JS E0068801	1
18	Mh-08/600 Inner tube right + spindle and bearing	with 16 + 03	JS E0068802	1
18	Mh-09/550 Inner tube right + spindle and bearing	with 16 + 03	JS E0068803	1
18	Mh-10/500 Inner tube right + spindle and bearing	with 16 + 03	JS E0068804	1
18	Mh-11/450 Inner tube right + spindle and bearing	with 16 + 03	JS E0068805	1
19	Angle		JS E010.001	2

## Individual components

Item	Description	Remark	Order No.	per kit
02	Connection shaft 1340 mm		JS L01	1
02	Connection shaft 1450 mm		JS L02	1
02	Connection shaft 1470 mm		JS L03	1
02	Connection shaft 1500 mm		JS L04	1
02	Connection shaft 1505 mm		JS L05	1
02	Connection shaft 1575 mm		JS L06	1
02	Connection shaft 1605 mm		JS L07	1
02	Connection shaft 1635 mm		JS L08	1
02	Connection shaft 1700 mm		JS L09	1

Item	Description	Remark	Order No.	per kit
02	Connection shaft 1790 mm		JS L10	1
13	Crank 350 mm w. parking hook	mit 12, 14 + 15	JS U01	1
13	Crank 415 mm w. parking hook	mit 12, 14 + 15	JS U02	1
13	Crank 450 mm w. parking hook	mit 12, 14 + 15	JS U03	1
13	Crank 480 mm w. parking hook	mit 12, 14 + 15	JS U04	1
13	Crank 520 mm w. parking hook	mit 12, 14 + 15	JS U05	1
13	Crank 570 mm w. parking hook	mit 12, 14 + 15	JS U07	1
13	Crank 620 mm w. parking hook	mit 12, 14 + 15	JS U08	1

