

Landing gears · Modul CD

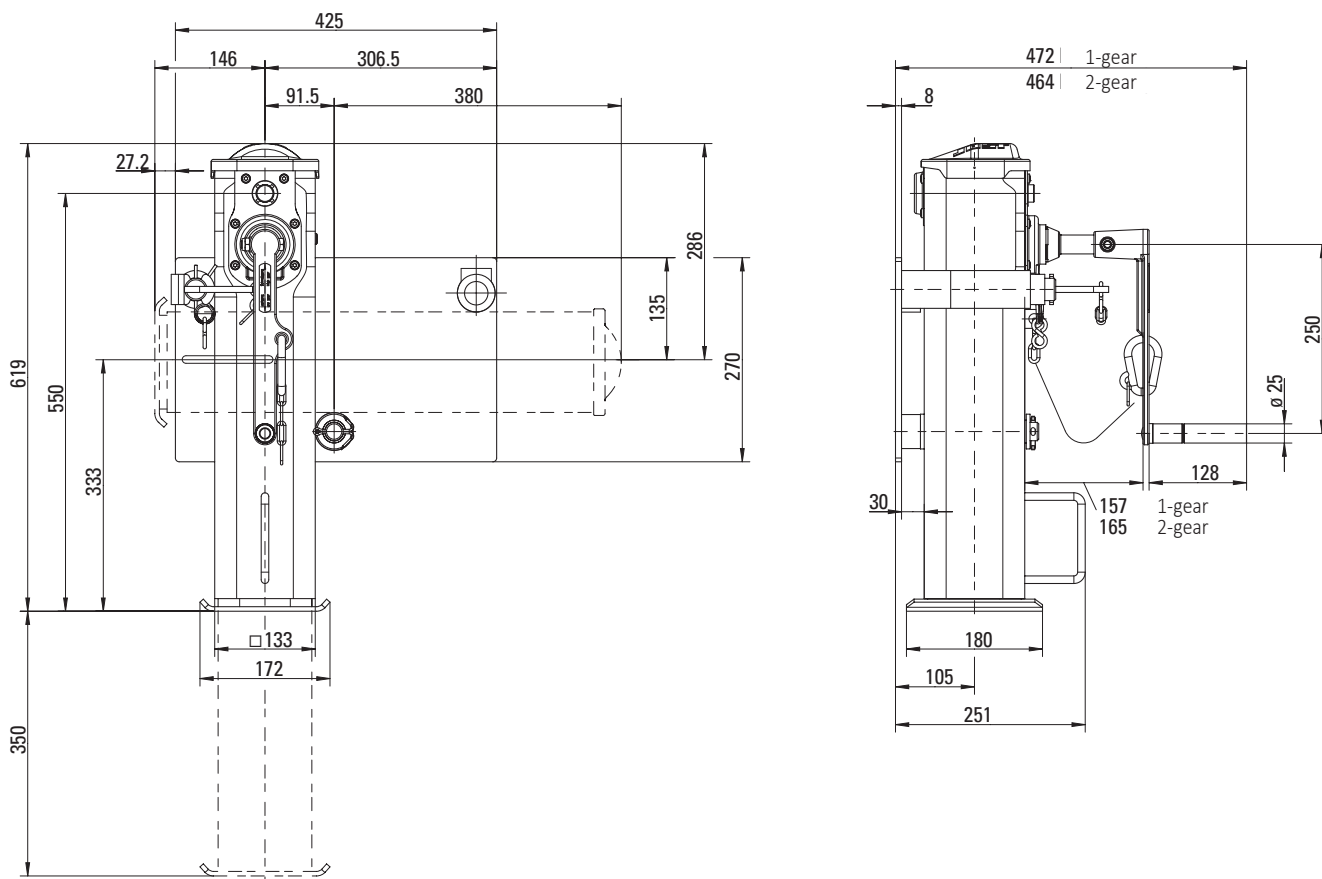
Advantages at a glance

- Swivel landing gear for centre-axle trailers
- Rigid sand shoe for particularly compact installation
- Additional ground clearance thanks to swivel bearing

Technical Features

- Single leg
- Rigid sand shoe
- Drawbar jack with integrated swivel bearing (for welding)

Technical Specification



Selection table / Versions available

Order No.	Speed	M (mm)	H (mm)	Back plate	Foot	Lifting capacity (t)	Static test load (t)	Crank force at x t Lifting capacity (N)
CD1090700L	1	550	350	Swivel bearing	T rigid	2	5	210
CD1090700R	2	550	350	Swivel bearing	T rigid	5	5	100

Technical Data (per piece)

Characteristic – Applies for all module CD types.	Value
Lift per turn of handle 2-gear-leg	
– Low gear	0,9 mm
– High gear	15,0 mm
Lift per turn of handle 1-gear-leg	4,6 mm

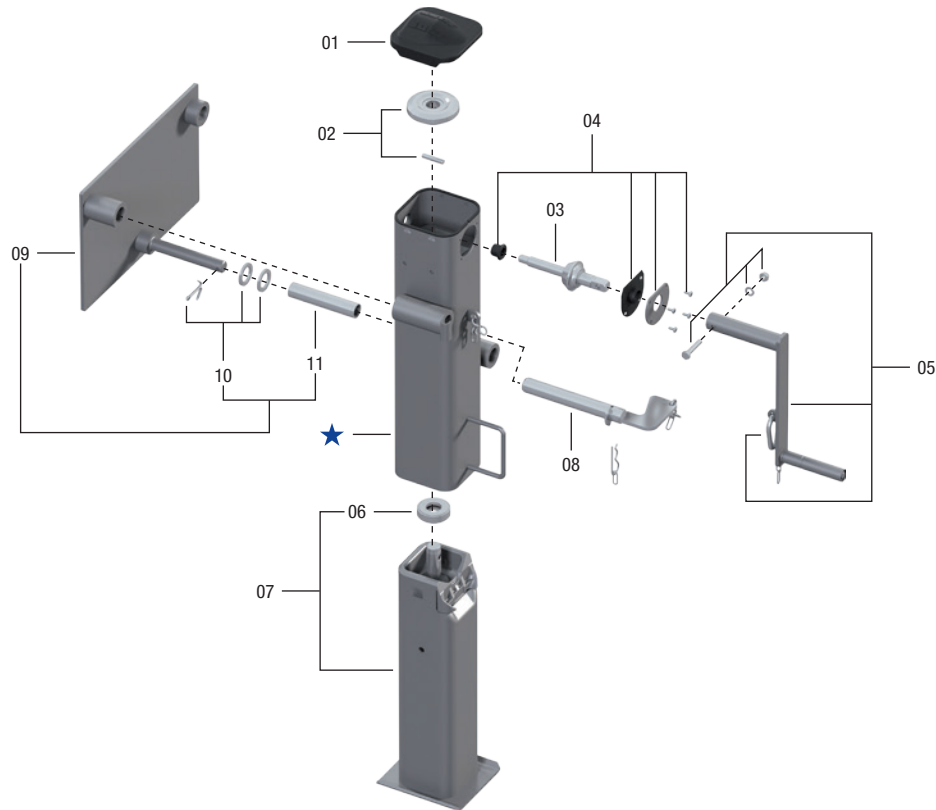
Special Accessories

Crank compact

Order No.	Description
JS U31	Tandem crank handle, folding for 2-gear-leg
JS U32	Tandem crank handle, rigid for 2-gear-leg
JS U36	Tandem crank handle, folding for 1-gear-leg

Modul CD

Spare parts 1-gear



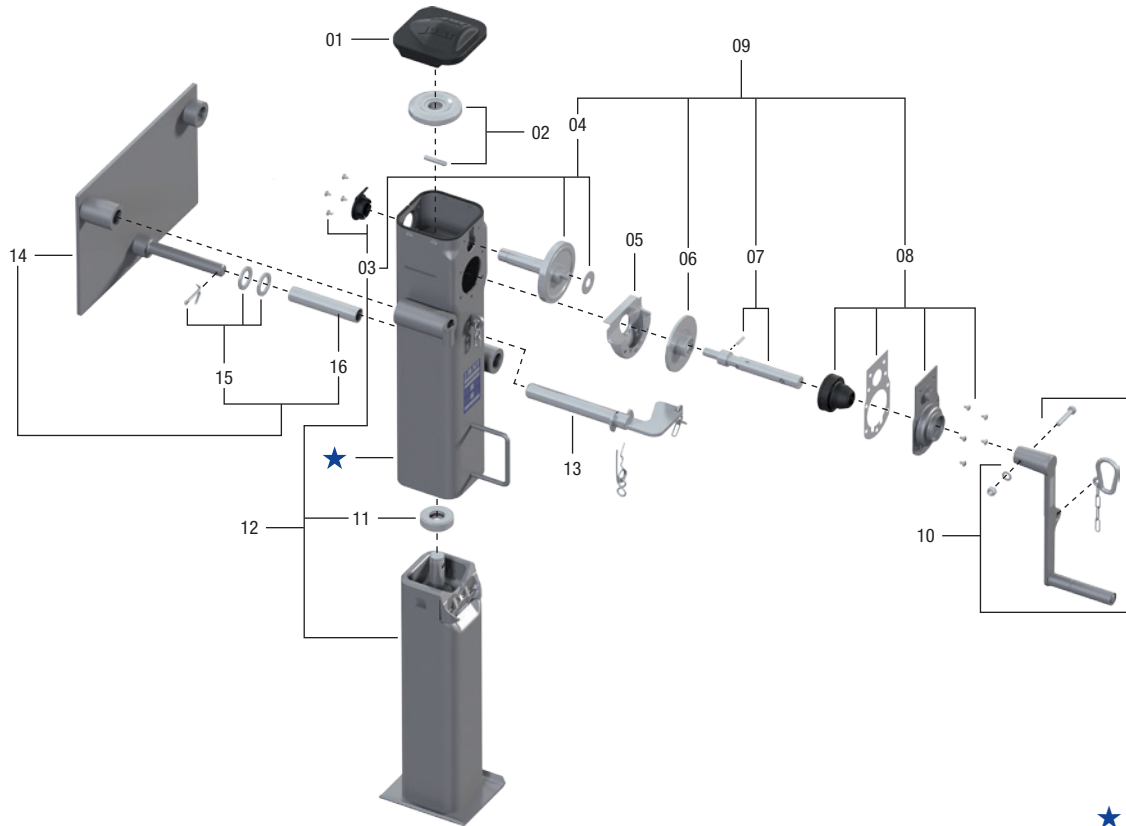
★ no spare part

Item	Description	Remark	Order No.	per piece
01	Cover		JS E0046100	1
02	Bevel gear with bolts		JS E0058600	1
03	Shaft		JS E0001501	1
04	Bearing	compl.	JS E0046200	1
05	Crank	compl.	JS U36	1
06	Axial bearing		JS E0066401	1
07	Inner tube + spindle and bearing	with 06	JS E1092601	1
08	Pin	compl.	JS E0077600	1
09	Swivel bearing	compl., with 10 + 11	JS E0073100	1
10	Washers and split pin		JS E0088200	1
11	Bushing		JS E0092100	1



Modul CD

Spare parts 2-gear



★ no spare part

Item	Description	Remark	Order No.	per piece
01	Cover		JS E0046100	1
02	Bevel gear with bolts		JS E0058600	1
03	Cover with Bearing	compl.	JS E0125600	1
04	Shaft with bearing	with 03	JS E0084100	1
05	Grease tank		JS E0002000	1
06	Gear		JS E0055800	1
07	Crank shaft	compl.	JS E0046500	1
08	Bearing holder	compl.	JS E0058800	1
09	Drive	compl., with 04, 06, 07 + 08	JS E0084300	1
10	Crank with spring hook		JS U31	1
11	Axial bearing with washer		JS E0066401	1
12	Inner tube + spindle and bearing	with 11 + 03	JS E0067001	1
13	Pin	compl.	JS E0077600	1
14	Swivel bearing	compl., with 15 + 16	JS E0073100	1
15	Washers and split pin		JS E0088200	1
16	Bushing		JS E0092100	1