

# Landing gears · Modul CD

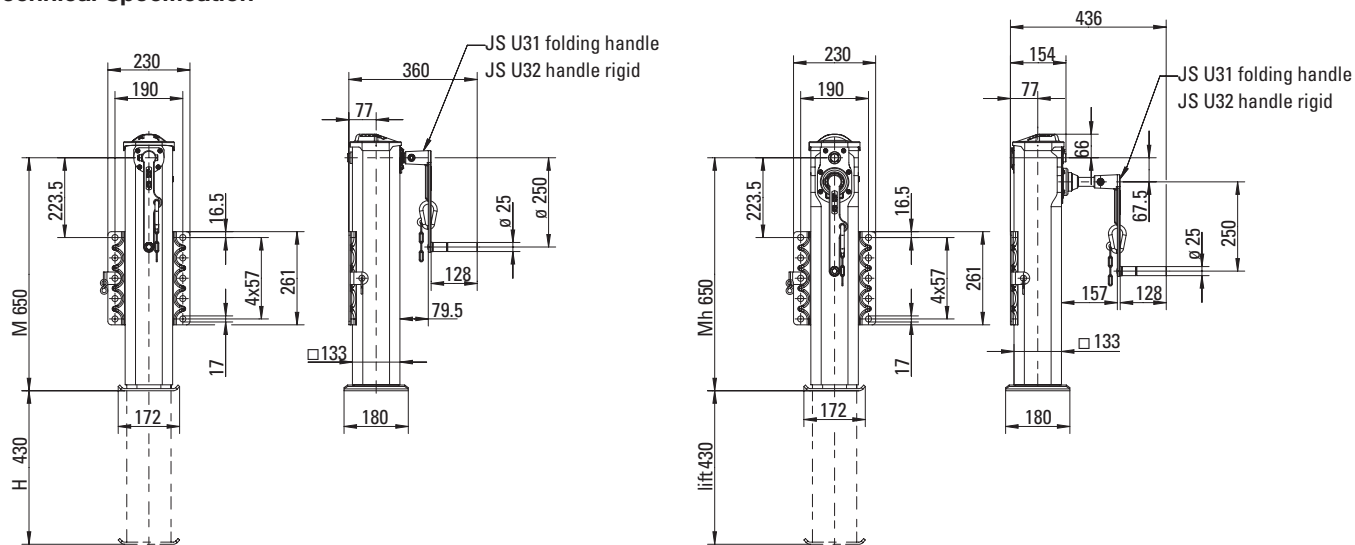
## Advantages at a glance

- Drawbar jack rigid
- For all centre-axle trailers, both for road traffic and agricultural use
- Maximum lift combined with low mounting height

## Technical Features

- Individual leg
- Rigid sand shoe
- The legs can be welded or bolted on.

## Technical Specification



## Selection table / Versions available (fixed)

Order No.	Description	M (mm)	H (mm)	Static test load (t)	Lifting capacity (t)	Crank force at x t Lifting capacity (N)
CD1062700L	1-gear-leg	650	430	12	2	210
CD1062700R	2-gear-leg	650	430	12	10	200

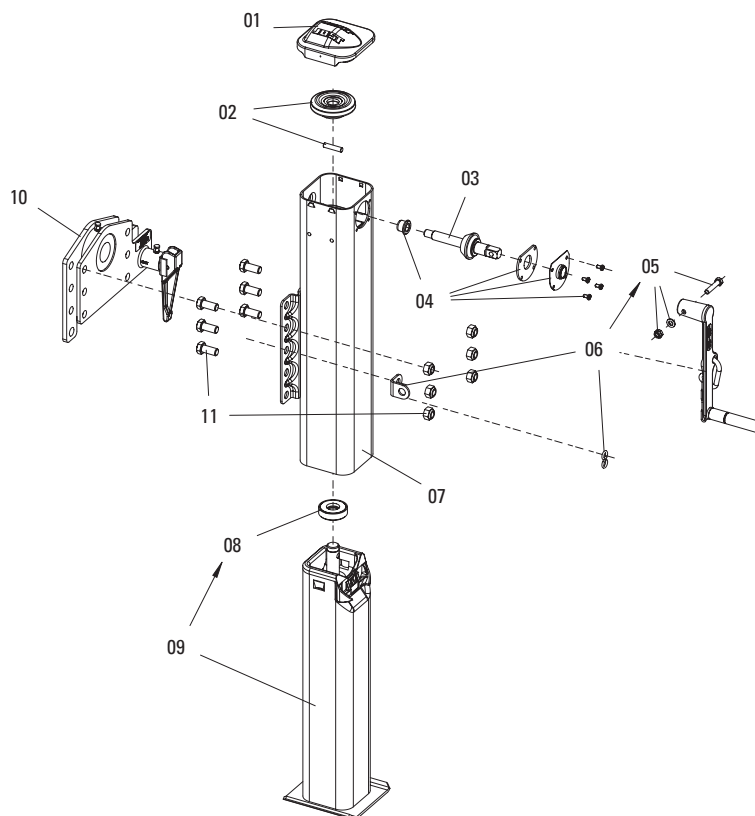
## Technical Data (per piece)

Characteristic	Value
Lift per turn of handle 2-gear-leg	
- Low gear	0,9 mm
- High gear	15,0 mm
Lift per turn of handle 1-gear-leg	4,6 mm



# Drawbar jack CD1062700L/LB4

## Spare parts

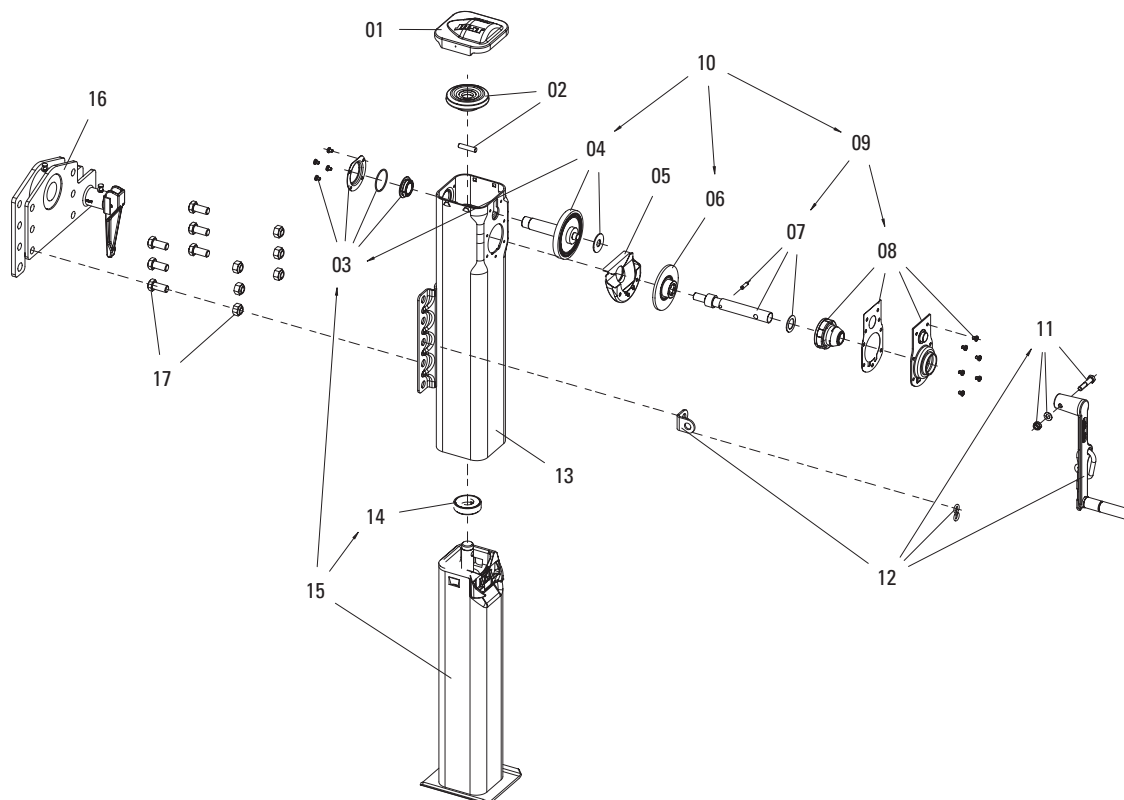


Item	Description	Remark	Order No.	per piece
01	Cover with bolts		JS E0046100	1
02	Bevel gear with bolt		JS E0058600	1
03	Shaft		JS E0001501	1
04	Bearing	compl.	JS E0046200	1
05	Bolts with washers and nuts		JS E0043101	1
06	Crank	compl., with 05	JS U31 or JS U32	1
07	Shaft		JS E0104501	1
08	Axial bearing		JS E0066401	1
09	Inner tube with spindle and bearing	with 08	JS E1092602	1
10	Swivel bearing	for CD1062700LB4	JS E010.013	1
11	Bolt kit	for CD1062700LB4	JS E020.005	1



# Drawbar jack CD1062700R/RB4

## Spare parts



Item	Description	Remark	Order No.	per piece
01	Cover with bolts		JS E0046100	1
02	Bevel gear with bolt		JS E0058600	1
03	Cover compl. with bearing		JS E0083900	1
04	Shaft with bearing		JS E0084100	1
05	Grease tank		JS E0002000	1
06	Gear		JS E0055800	1
07	Crank shaft	compl.	JS E0046500	1
08	Bearing holder	compl.	JS E0058800	1
09	Crank shaft and bearing holder	with 07 + 08	JS E0056600	1
10	Drive	compl., with 04 , 06 + 09	JS E0084300	1
11	Bolts with washers and nuts		JS E0043101	1
12	Crank handle with spring hooks	with 11	JS U31 folding JS U32 rigid	1
13	Shaft	with 19	JS E0104401	1
14	Axial bearing		JS E0066401	1
15	Inner tube with Spindle	with 14 + 03	JS E1086301	1
16	Pivot bearing	for CD1062700RB4	JS E010.013	1
17	Bolt kit	for CD1062700RB4	JS E020.005	1