

# Landing gears · Modul CD

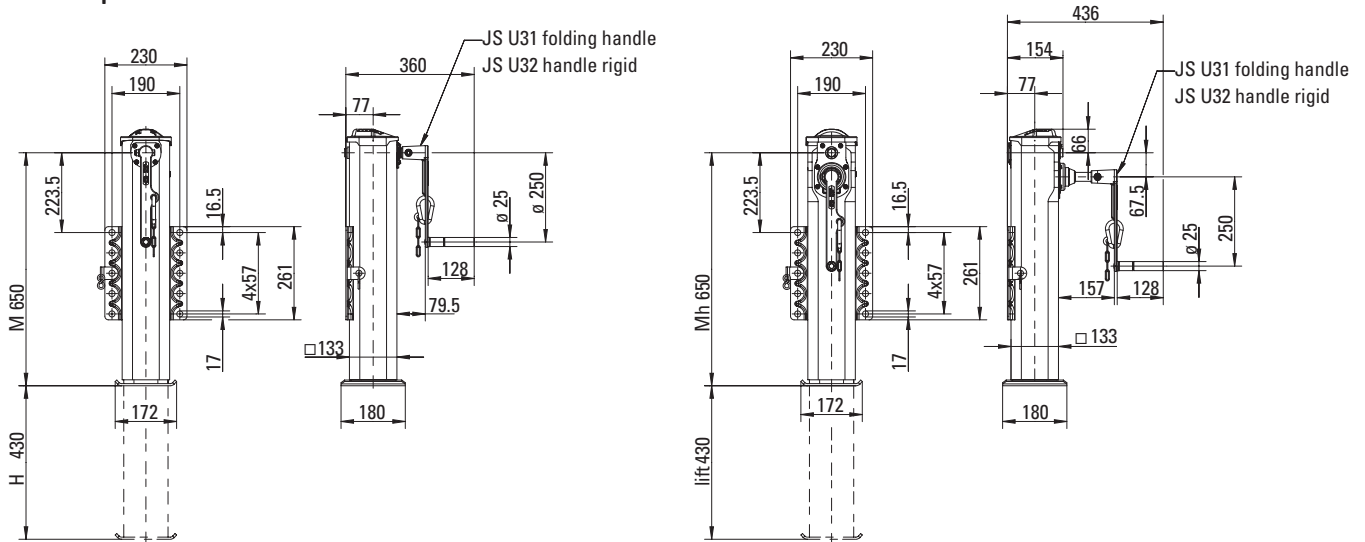
## Advantages at a glance

- Drawbar jack rigid
- For all centre-axle trailers, both for road traffic and agricultural use
- Maximum lift combined with low mounting height

## Technical Features

- Individual leg
- Rigid sand shoe
- The legs can be welded or bolted on.

## Technical Specification



## Selection table / Versions available (fixed)

Order No.	Description	M (mm)	H (mm)	Static test load (t)	Lifting capacity (t)	Crank force at x t Lifting capacity (N)
CD1062700L	1-gear-leg	650	430	12	2	210
CD1062700R	2-gear-leg	650	430	12	10	200

## Technical Data (per piece)

Characteristic	Value
Lift per turn of handle 2-gear-leg	
– Low gear	0,9 mm
– High gear	15,0 mm
Lift per turn of handle 1-gear-leg	4,6 mm



# Landing gears · Modul CD

## Advantages at a glance

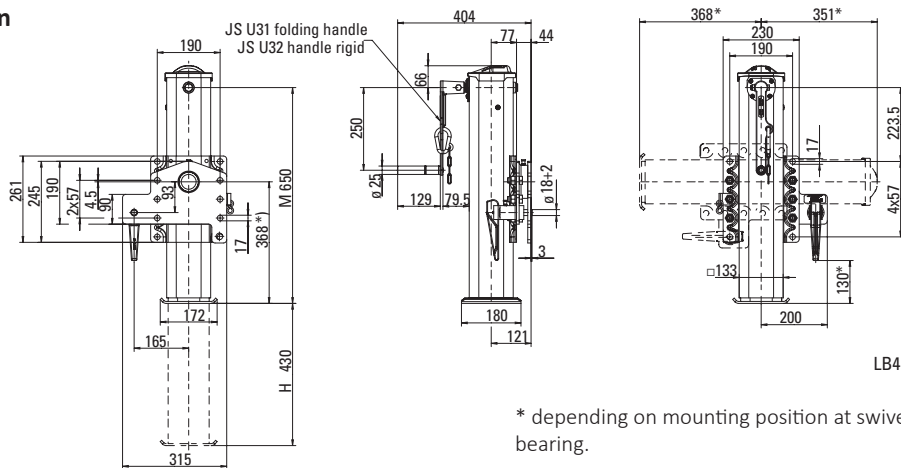
- Swivelling model
- For all centre-axle trailers, both for road traffic and agricultural use
- Added ground clearance thanks to swivel bearing
- Maximum lift combined with low mounting height

## Technical Features

- Individual leg
- Rigid sand shoe
- The legs can be welded or bolted on.

## Technical Specification

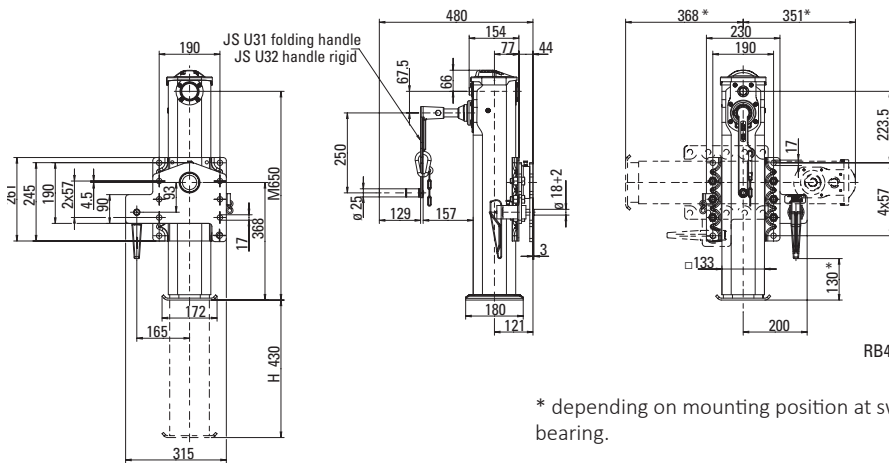
### 1-gear-leg



LB4

\* depending on mounting position at swivel bearing.

### 2-gear-leg



RB4

\* depending on mounting position at swivel bearing.

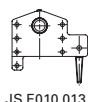
## Selection table / Versions available (Swivelling mode)

Order No.	Description	M (mm)	H (mm)	Static test load (t)	Lifting capacity (t)	Crank force at x t Lifting capacity (N)
CD1062700LB4	1-speed-leg with swivel bearing	650	430	5	2	210
CD1062700RB4	2-speed-leg with swivel bearing	650	430	5	5	100

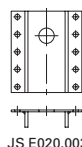
Pivot bearing JS E010.013, with bolt kit JS E020.005 included loose.

## Accessories

Order No.	Description
JS E010.013	Swivel bearing
JS E020.005	Bolt kit (12 bolts and nuts)
JS E020.003	Back plate
JS U31	Tandem crank handle, folding
JS U32	Tandem crank handle, rigid



JS E010.013



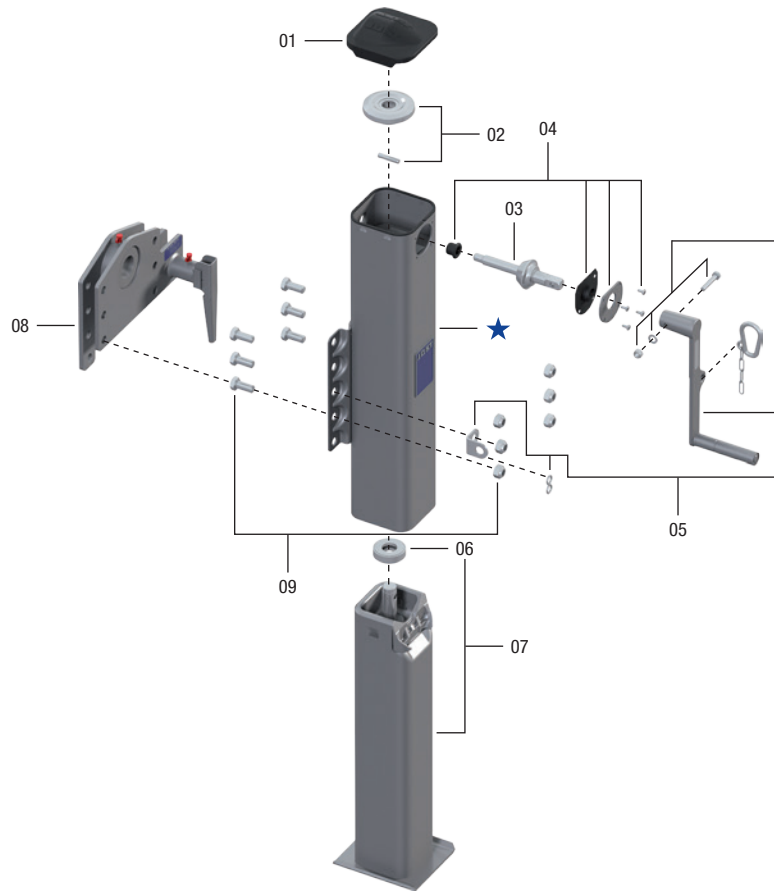
JS E020.003

## Technical Data (per piece)

Characteristic	Value
Lift per turn of handle 2-gear-leg	
– Low gear	0,9 mm
– High gear	15,0 mm
Lift per turn of handle 1-gear-leg	4,6 mm

# Drawbar jack CD1062700L / LB4

## Spare parts



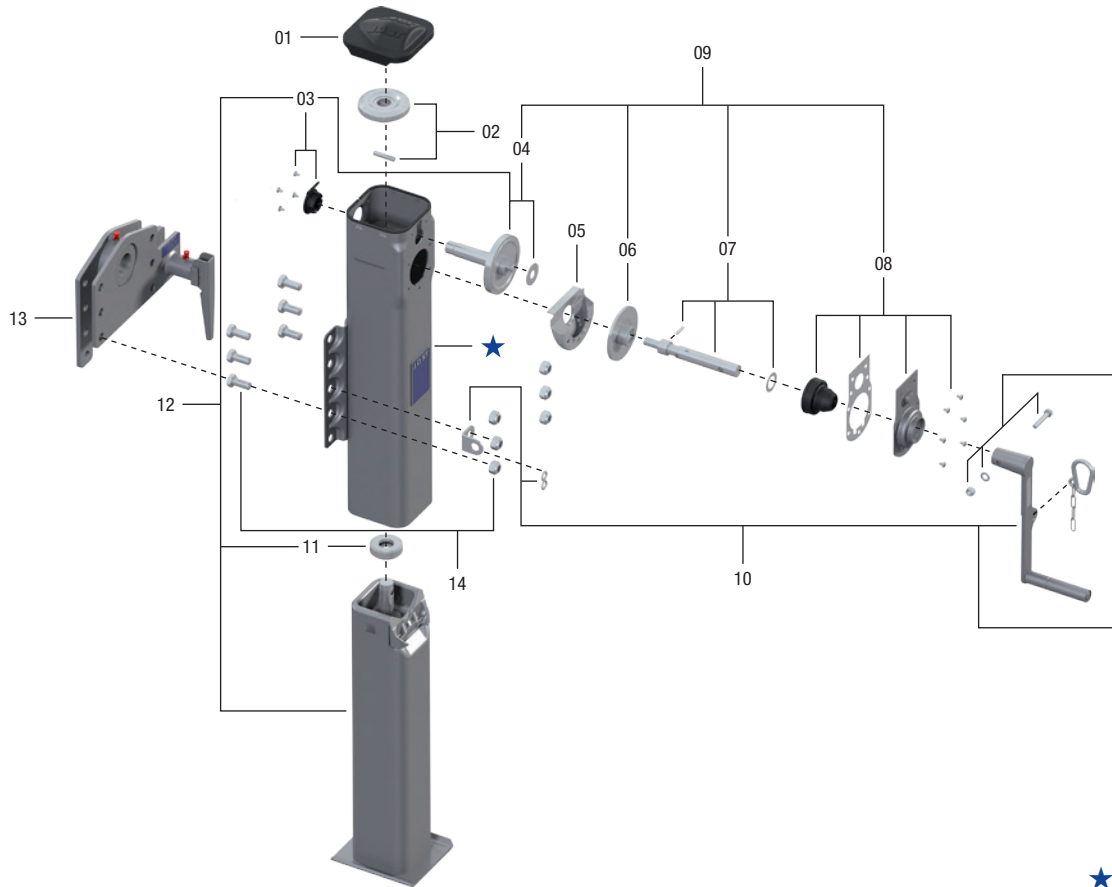
★ no spare part

Item	Description	Remark	Order No.	per piece
01	Cover		JS E0046100	1
02	Bevel gear with bolt		JS E0058600	1
03	Shaft		JS E0001501	1
04	Bearing	compl.	JS E0046200	1
05	Crank	compl.	JS U31 or JS U32	1
06	Axial bearing		JS E0066401	1
07	Inner tube with spindle and bearing	with 06	JS E1092602	1
08	Swivel bearing	for CD1062700LB4	JS E010.013	1
09	Bolt kit	for CD1062700LB4	JS E020.005	1



# Drawbar jack CD1062700R / RB4

## Spare parts



★ no spare part

Item	Description	Remark	Order No.	per piece
01	Cover		JS E0046100	1
02	Bevel gear with bolt		JS E0058600	1
03	Cover with Bearing		JS E0125600	1
04	Shaft with bearing		JS E0084100	1
05	Grease tank		JS E0002000	1
06	Gear		JS E0055800	1
07	Crank shaft	compl.	JS E0046500	1
08	Bearing holder	compl.	JS E0058800	1
09	Drive	compl., with 04, 06, 07 + 08	JS E0084300	1
10	Crank handle with spring hooks		JS U31 folding JS U32 rigid	1
11	Axial bearing		JS E0066401	1
12	Inner tube with Spindle	with 11 + 03	JS E1086301	1
13	Swivel bearing	for CD1062700RB4	JS E010.013	1
14	Bolt kit	for CD1062700RB4	JS E020.005	1