

Landing gears · Modul CF

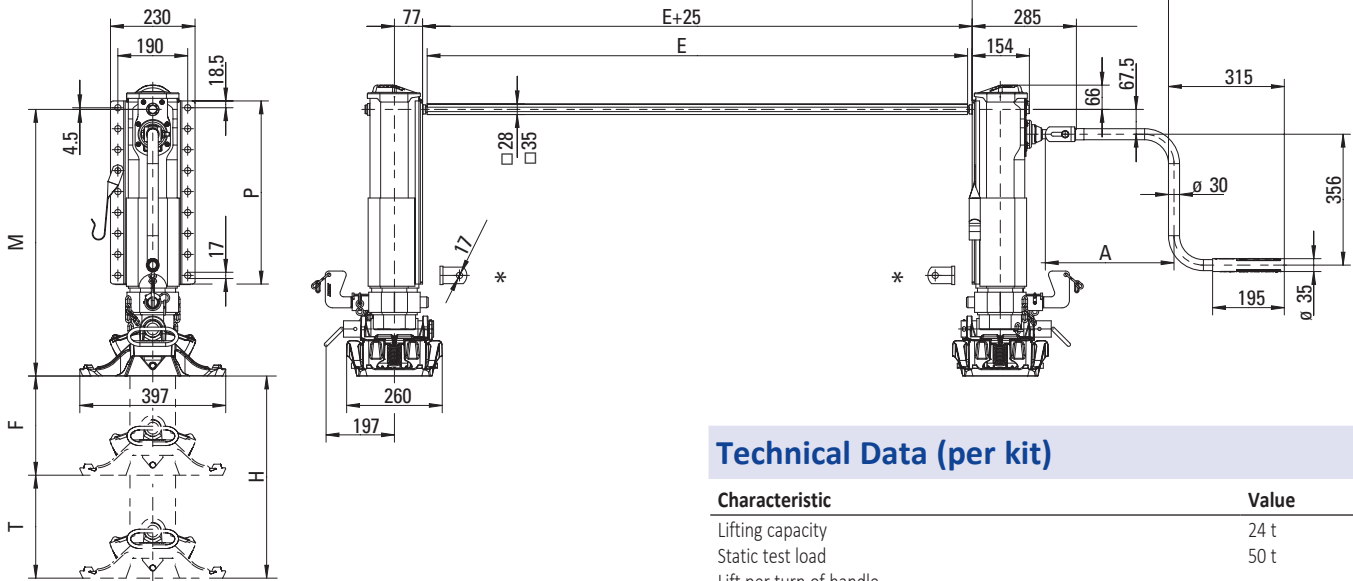
Advantages at a glance

- Drop leg with telescopic lift
- Maximum lift combined with low mounting height
- Compact design

Technical Features

- Additional drop extension
- Full length back plate
- Reinforcement
- Available as two side operation with special handle

Technical Specification



Technical Data (per kit)

Characteristic	Value
Lifting capacity	24 t
Static test load	50 t
Lift per turn of handle	
– Low gear	0,9 mm
– High gear	15,0 mm
Crank force at 16 t lifting capacity	210 N

Selection table / Versions available

Order No.	M (mm)	F* (mm)	P (mm)	T** (mm)	H (mm)	Back plate	Foot	Order No.	M (mm)	F* (mm)	P (mm)	T** (mm)	H (mm)	Back plate	Foot
CF142410000	925	470	698	430	900	full length	S	CF145460000	725	320	548	330	650	full length	TC
CF142420000	925	470	698	430	900	full length	A	CF146410000	725	270	498	280	550	full length	S
CF142440000	925	470	698	430	900	full length	T	CF146420000	725	270	498	280	550	full length	A
CF142460000	875	470	698	430	900	full length	TC	CF146440000	725	270	498	280	550	full length	T
CF143410000	875	420	648	400	820	full length	S	CF146460000	675	270	498	280	550	full length	TC
CF143420000	875	420	648	400	820	full length	A	CF147410000	675	220	448	230	450	full length	S
CF143440000	875	420	648	400	820	full length	T	CF147420000	675	220	448	230	450	full length	A
CF143460000	825	420	648	400	820	full length	TC	CF147440000	675	220	448	230	450	full length	T
CF144410000	825	370	598	380	750	full length	S	CF147460000	625	220	448	230	450	full length	TC
CF144420000	825	370	598	380	750	full length	A	CF148410000	625	170	398	180	350	full length	S
CF144440000	825	370	598	380	750	full length	T	CF148420000	625	170	398	180	350	full length	A
CF144460000	775	370	598	380	750	full length	TC	CF148440000	625	170	398	180	350	full length	T
CF145410000	775	320	548	330	650	full length	S	CF148460000	575	170	398	180	350	full length	TC
CF145420000	775	320	548	330	650	full length	A								
CF145440000	775	320	548	330	650	full length	T								

* F: drop extension (fixed)

** T: telescopic lift (stageless)

Remark:

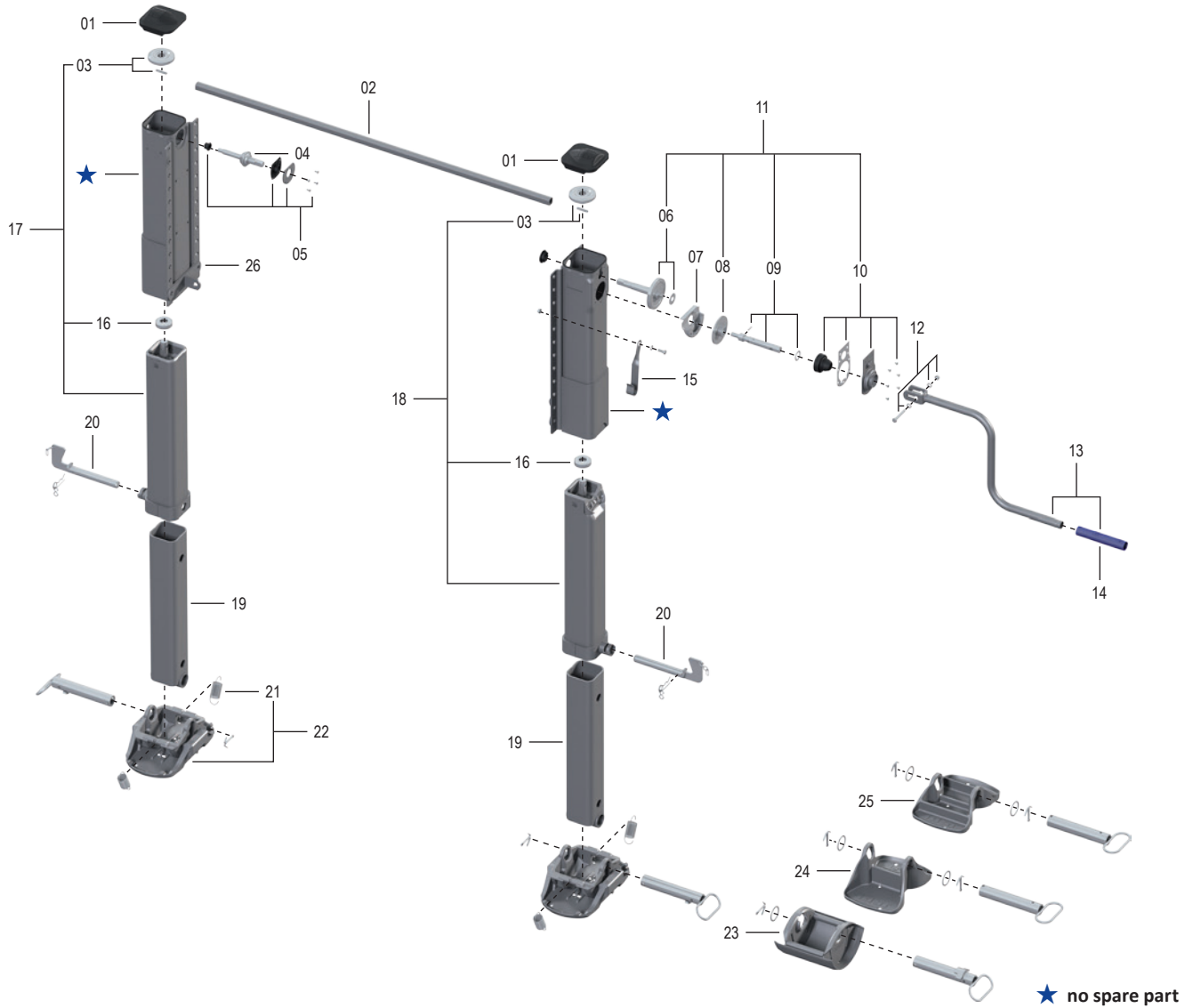
* Brace lugs will be supplied unassembled.

Crank handles and connection shafts need to be ordered separately and are shipped unassembled.

Order numbers and dimensions of A, B, C and E can be found on Page 132.

Modul CF

Spare parts



★ no spare part

Item	Description	Remark	Order No.	per kit
01	Cover		JS E0046100	2
02	see individual components			1
03	Bevel gear with bolts		JS E0058600	2
04	Shaft		JS E0001500	1
05	Bearing	compl.	JS E0046200	1
06	Shaft with bearing		JS E0058700	1
07	Grease tank		JS E0002000	1
08	Gear		JS E0055800	1
09	Crankshaft	compl.	JS E0046500	1
10	Bearing holder	compl.	JS E0058800	1
11	Drive	compl., with 06, 08, 09 + 10	JS E0083700	1
12	Bolts, washers, nuts		JS E0043100	1
13	see individual components			1
14	Crank bushing		JS E0042700	1
15	Crank parking hook	for crank 350 mm (JS U01)	JS E0040200	1
15	Crank parking hook	for crank 415–480 mm (JS U02-JS U04)	JS E0040201	1
15	Crank parking hook	for crank 520–620 mm (JS U05-JS U08)	JS E0040202	1
16	Axial bearing		JS E0066401	2

Item	Description	Remark	Order No.	per kit
17	Mh-42/925 inner tube l. + spindle and bearing	with 16 + 03	JS E0071501	1
17	Mh-43/875 inner tube l. + spindle and bearing	with 16 + 03	JS E0071502	1
17	Mh-44/825 inner tube l. + spindle and bearing	with 16 + 03	JS E0071503	1
17	Mh-45/775 inner tube l. + spindle and bearing	with 16 + 03	JS E0071504	1
17	Mh-46/725 inner tube l. + spindle and bearing	with 16 + 03	JS E0071505	1
17	Mh-47/675 inner tube l. + spindle and bearing	with 16 + 03	JS E0071506	1
17	Mh-48/625 inner tube l. + spindle and bearing	with 16 + 03	JS E0071507	1
17	Mh-42/925 inner tube r. + spindle and bearing	with 16 + 03	JS E0070801	1
18	Mh-43/875 inner tube r. + spindle and bearing	with 16 + 03	JS E0070802	1
18	Mh-44/825 inner tube r. + spindle and bearing	with 16 + 03	JS E0070803	1
18	Mh-45/775 inner tube r. + spindle and bearing	with 16 + 03	JS E0070804	1
18	Mh-46/725 inner tube r. + spindle and bearing	with 16 + 03	JS E0070805	1
18	Mh-47/675 inner tube r. + spindle and bearing	with 16 + 03	JS E0070806	1
18	Mh-48/625 inner tube r. + spindle and bearing	with 16 + 03	JS E0070807	1
19	Mh-42/925 support leg with chain		JS E0071001	2
19	Mh-43/875 support leg with chain		JS E0071002	2
19	Mh-44/825 support leg with chain		JS E0071003	2
19	Mh-45/775 support leg with chain		JS E0071004	2
19	Mh-46/725 support leg with chain		JS E0071005	2
19	Mh-47/675 support leg with chain		JS E0071006	2
19	Mh-48/625 support leg with chain		JS E0071007	2
20	Pin	compl.	JS E0075000	2
21	Spring		JS E0012900	4
22	S foot	compl., with 21 and axle	JS D01CF	2
23	A foot	compl., with axle	JS D02CF	2
24	T foot	compl., with axle	JS D04CF	2
25	TC foot	compl., with axle	JS D06CF	2
26	Angle		JS E010.001	2

The following applies for S foot:

* Axle until September 2008 JS E007.1800 (2 per set)

* Axle from September 2008 (from 080912 0359815 JS E010.2300 (2 per set)

Individual components

Item	Description	Remark	Order No.	per kit	Item	Description	Remark	Order No.	per kit
02	Connection shaft 1340 mm		JS L01	1	14	Crank 350 mm w. parking hook	with 12, 14 + 15	JS U01	1
02	Connection shaft 1450 mm		JS L02	1	14	Crank 415 mm w. parking hook	with 12, 14 + 15	JS U02	1
02	Connection shaft 1470 mm		JS L03	1	14	Crank 450 mm w. parking hook	with 12, 14 + 15	JS U03	1
02	Connection shaft 1500 mm		JS L04	1	14	Crank 480 mm w. parking hook	with 12, 14 + 15	JS U04	1
02	Connection shaft 1505 mm		JS L05	1	14	Crank 520 mm w. parking hook	with 12, 14 + 15	JS U05	1
02	Connection shaft 1575 mm		JS L06	1	14	Crank 570 mm w. parking hook	with 12, 14 + 15	JS U07	1
02	Connection shaft 1605 mm		JS L07	1	14	Crank 620 mm w. parking hook	with 12, 14 + 15	JS U08	1
02	Connection shaft 1635 mm		JS L08	1					
02	Connection shaft 1700 mm		JS L09	1					
02	Connection shaft 1790 mm		JS L10	1					

