

Landing gears · Modul CF

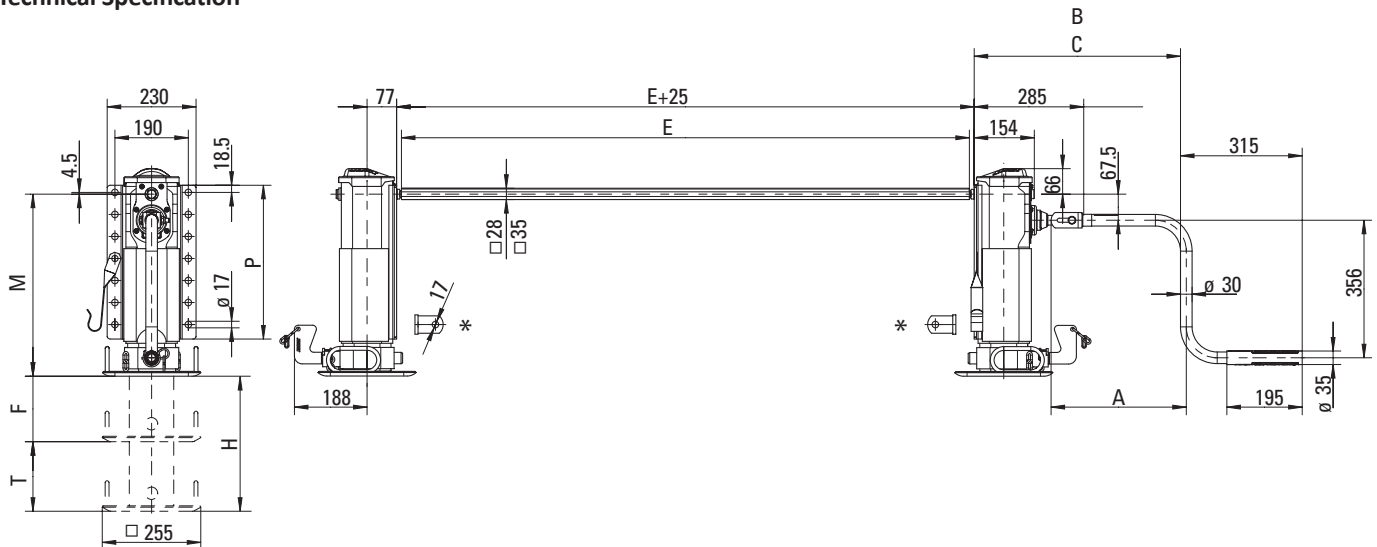
Advantages at a glance

- Drop leg with telescopic lift and fixed disc
- Compact design
- Maximum lift combined with low mounting height

Technical Features

- Fixed disc
- Additional drop extension
- Full length back plate
- Reinforcement
- Also available with two side operation and special crank

Technical Specification



Selection table / Versions available

Order No.	M (mm)	F* (mm)	P (mm)	T** (mm)	H (mm)	Back plate	Foot
CF151470000	670	370	598	380	750	full length	T rigid
CF152470000	620	320	548	330	650	full length	T rigid
CF153470000	570	270	498	280	550	full length	T rigid
CF154470000	520	220	448	230	450	full length	T rigid
CF155470000	470	170	398	180	350	full length	T rigid

* F: drop extension (fixed)

** T: telescopic lift (stageless)

Remark:

* Brace lugs will be supplied unassembled.

Crank handles and connection shafts need to be ordered separately and are shipped unassembled.

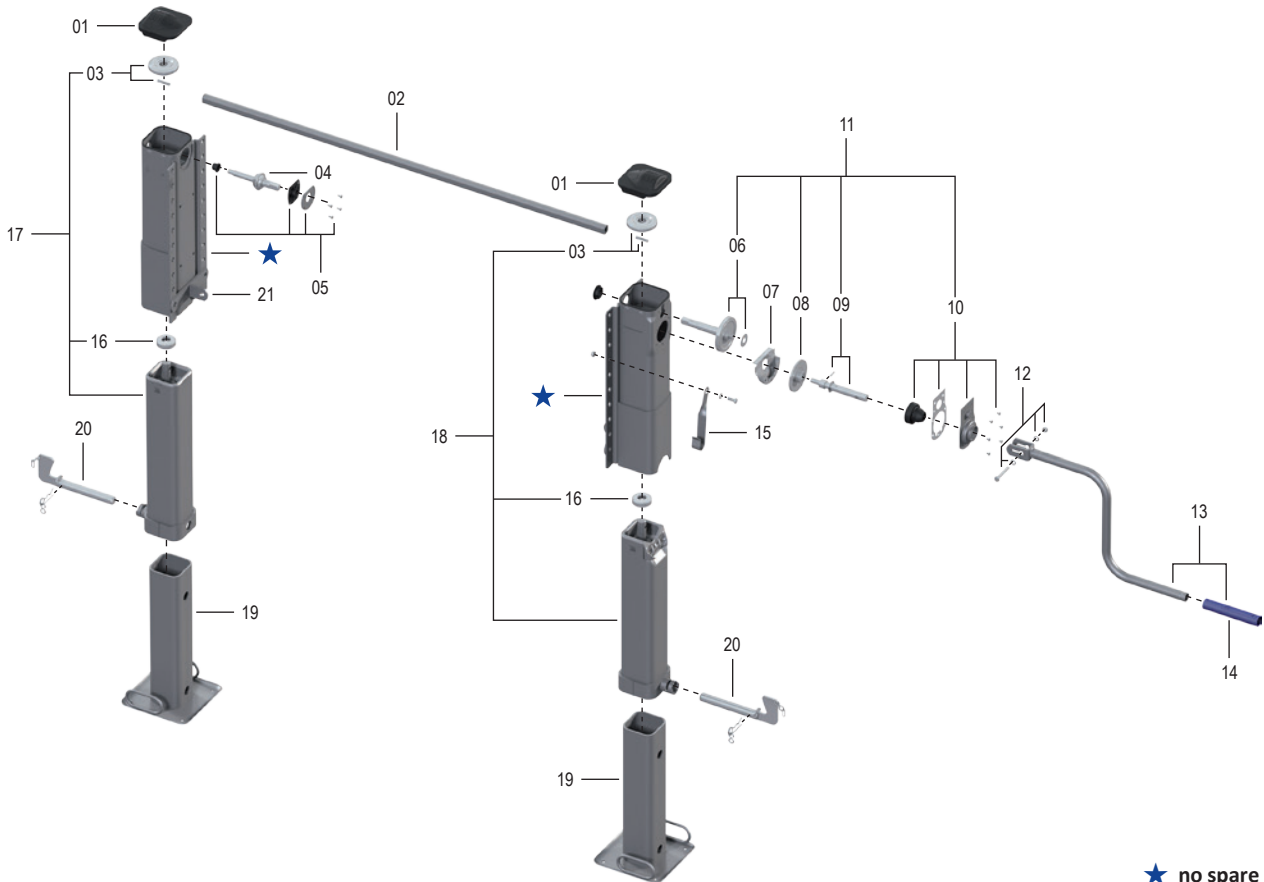
Order numbers and dimensions of A, B, C and E can be found on Page 134.

Technical Data (per kit)

Characteristic	Value
Lifting capacity	24 t
Static test load	50 t
Lift per turn of handle	
– Low gear	0,9 mm
– High gear	15,0 mm
Crank force at 16 t lifting capacity	210 N

Modul CF

Spare parts



★ no spare part

Item	Description	Remark	Order No.	per kit
01	Cover		JS E0046100	2
02	see individual components			1
03	Bevel gear with bolts		JS E0058600	2
04	Shaft		JS E0001500	1
05	Bearing	compl.	JS E0046200	1
06	Shaft with bearing		JS E0058700	1
07	Grease tank		JS E0002000	1
08	Gear		JS E0055800	1
09	Crankshaft	compl.	JS E0046500	1
10	Bearing holder	compl.	JS E0058800	1
11	Drive	compl., with 06, 08, 09 + 10	JS E0083700	1
12	Bolts, washers, nuts		JS E0043100	1
13	see individual components			1
14	Crank bushing		JS E0042700	1
15	Crank parking hook	for crank 350 mm (JS U01)	JS E0040200	1
15	Crank parking hook	for crank 415–480 mm (JS U02-JS U04)	JS E0040201	1
15	Crank parking hook	for crank 520–620 mm (JS U05-JS U08)	JS E0040202	1
16	Axial bearing		JS E0066401	2
17	Mh-51/670 inner tube l. + spindle and bearing	with 16 + 03	JS E0071503	1
17	Mh-52/620 inner tube l. + spindle and bearing	with 16 + 03	JS E0071504	1
17	Mh-53/570 inner tube l. + spindle and bearing	with 16 + 03	JS E0071505	1
17	Mh-54/520 inner tube l. + spindle and bearing	with 16 + 03	JS E0071506	1
17	Mh-55/470 inner tube l. + spindle and bearing	with 16 + 03	JS E0071507	1
18	Mh-51/670 inner tube r. + spindle and bearing	with 16 + 03	JS E0070803	1
18	Mh-52/620 inner tube r. + spindle and bearing	with 16 + 03	JS E0070804	1
18	Mh-53/570 inner tube r. + spindle and bearing	with 16 + 03	JS E0070805	1
18	Mh-54/520 inner tube r. + spindle and bearing	with 16 + 03	JS E0070806	1
18	Mh-55/470 inner tube r. + spindle and bearing	with 16 + 03	JS E0070807	1



Item	Description	Remark	Order No.	per kit
19	Mh-51/670 support leg with chain		JS E0072201	2
19	Mh-52/620 support leg with chain		JS E0072202	2
19	Mh-53/570 support leg with chain		JS E0072203	2
19	Mh-54/520 support leg with chain		JS E0072204	2
19	Mh-55/470 support leg with chain		JS E0072205	2
20	Pin	compl.	JS E0075000	2
21	Angle		JS E010.001	2

Individual components

Item	Description	Remark	Order No.	per kit	Item	Description	Remark	Order No.	per kit
02	Connection shaft 1340 mm		JS L01	1	13	Crank 350 mm w. parking hook	with 12, 14 + 15	JS U01	1
02	Connection shaft 1450 mm		JS L02	1	13	Crank 415 mm w. parking hook	with 12, 14 + 15	JS U02	1
02	Connection shaft 1470 mm		JS L03	1	13	Crank 450 mm w. parking hook	with 12, 14 + 15	JS U03	1
02	Connection shaft 1500 mm		JS L04	1	13	Crank 480 mm w. parking hook	with 12, 14 + 15	JS U04	1
02	Connection shaft 1505 mm		JS L05	1	13	Crank 520 mm w. parking hook	with 12, 14 + 15	JS U05	1
02	Connection shaft 1575 mm		JS L06	1	13	Crank 570 mm w. parking hook	with 12, 14 + 15	JS U07	1
02	Connection shaft 1605 mm		JS L07	1	13	Crank 620 mm w. parking hook	with 12, 14 + 15	JS U08	1
02	Connection shaft 1635 mm		JS L08	1					
02	Connection shaft 1700 mm		JS L09	1					
02	Connection shaft 1790 mm		JS L10	1					