

# Landing gears · Modul CH

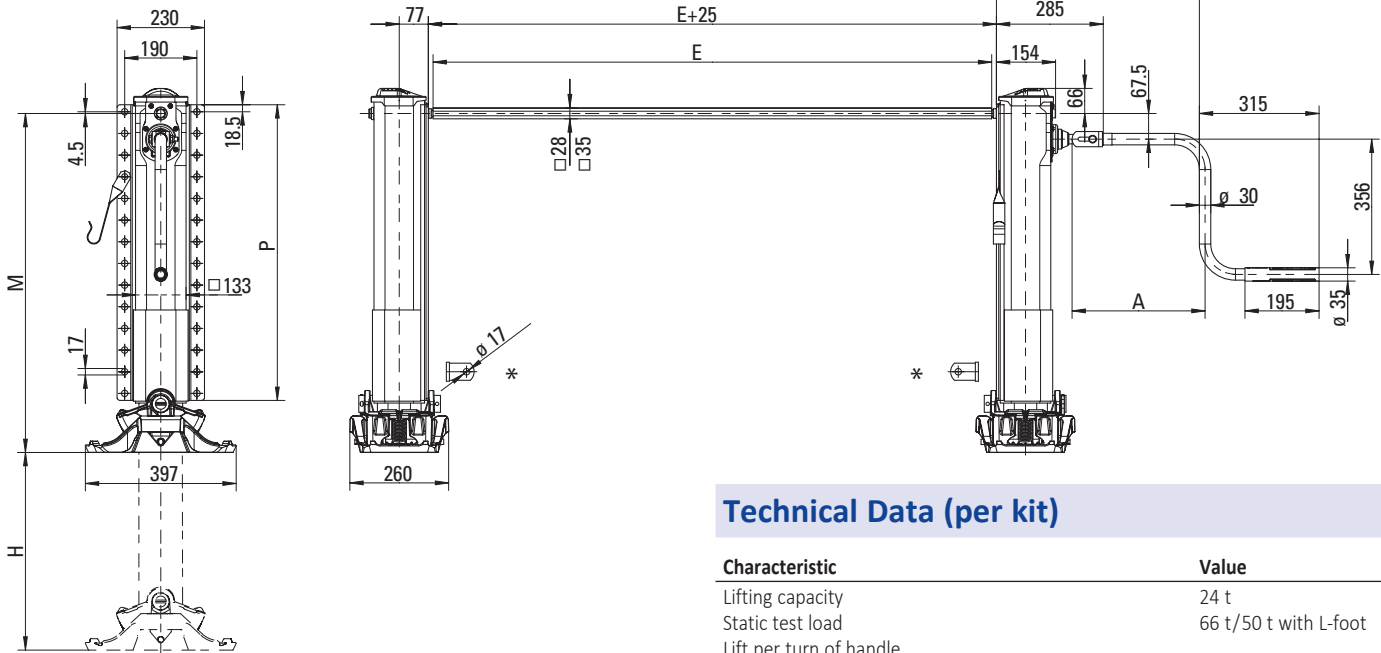
## Advantages at a glance

- Heavy duty
- Maximum resistance to bending
- Shock resistant
- Increased static test load (66 t)

## Technical Features

- Full length back plate for high mounting variability
- Reinforcement for maximum resistance to bending
- Heavy duty bearing for better shock resistance
- Reinforced inner tube
- Also available with two side operation and special crank
- Reinforced roller foot (L-foot)

## Technical Specification



## Technical Data (per kit)

Characteristic	Value
Lifting capacity	24 t
Static test load	66 t / 50 t with L-foot
Lift per turn of handle	
– Low gear	0,9 mm
– High gear	15,0 mm
Crank force at 16 t lifting capacity	210 N

## Selection table / Versions available

Order No.	M (mm)	H (mm)	P (mm)	Back plate	Foot	Order No.	M (mm)	H (mm)	P (mm)	Back plate	Foot
CH124410000	940	560	828	full length	S	CH127410000	790	430	678	full length	S
CH124420000	940	560	828	full length	A	CH127420000	790	430	678	full length	A
CH124440000	940	560	828	full length	T	CH127440000	790	430	678	full length	T
CH124450000	925	560	828	full length	L	CH127450000	775	430	678	full length	L
CH125410000	890	520	778	full length	S	CH128410000	740	380	628	full length	S
CH125420000	890	520	778	full length	A	CH128420000	740	380	628	full length	A
CH125440000	890	520	778	full length	T	CH128440000	740	380	628	full length	T
CH125450000	875	520	778	full length	L	CH128450000	725	380	628	full length	L
CH126410000	840	470	728	full length	S	CH130410000	690	330	578	full length	S
CH126420000	840	470	728	full length	A	CH130420000	690	330	578	full length	A
CH126440000	840	470	728	full length	T	CH130440000	690	330	578	full length	T
CH126450000	825	470	728	full length	L	CH130450000	675	330	578	full length	L

### Remark:

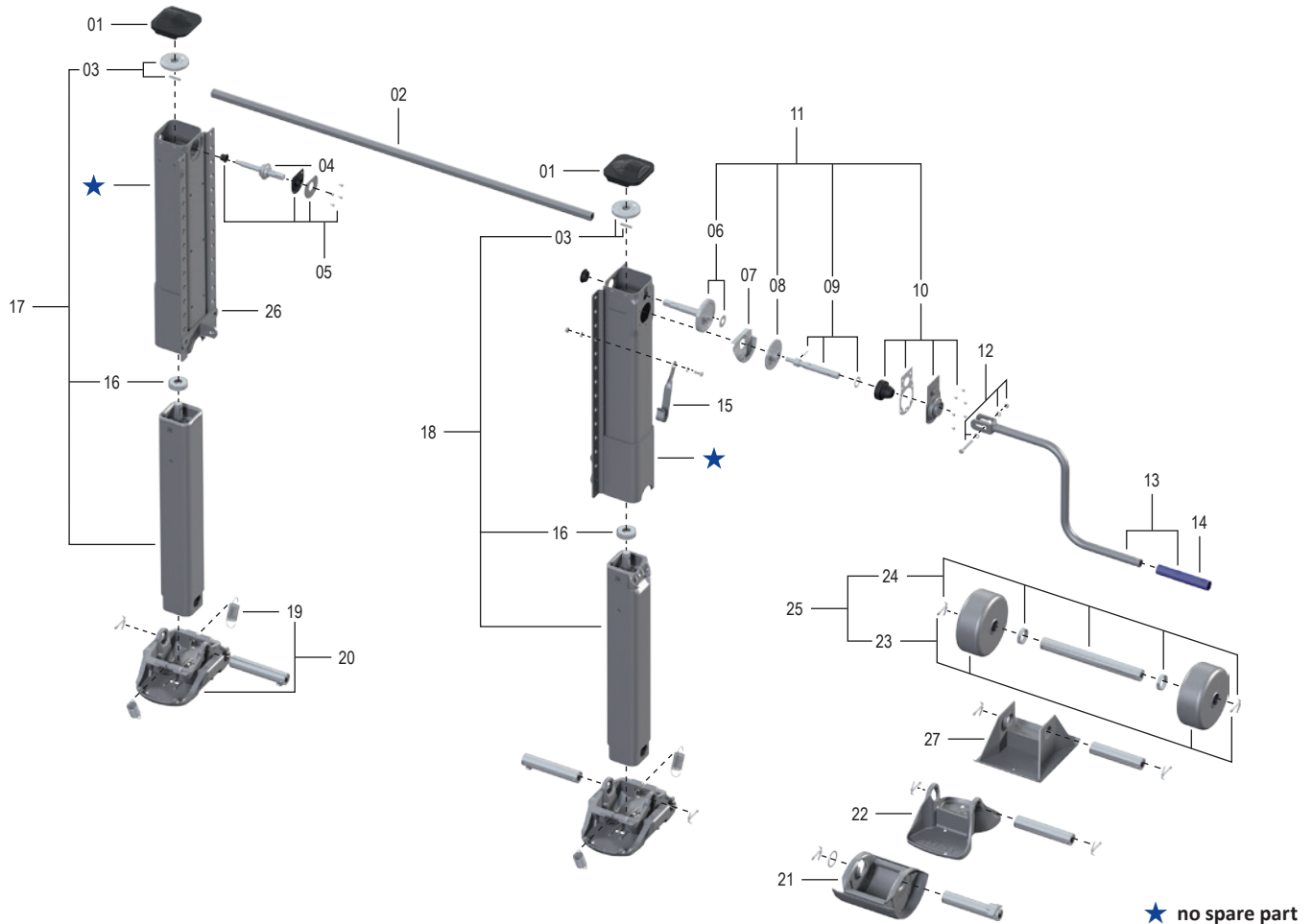
\* Brace lugs will be supplied unassembled.

Crank handles and connection shafts need to be ordered separately and are shipped unassembled.

Order numbers and dimensions of A, B, C and E can be found on Page 132.

# Modul CH

## Spare parts



★ no spare part

Item	Description	Remark	Order No.	per kit
01	Cover		JS E0046100	2
02	see individual components			1
03	Bevel gear with bolts		JS E0058600	2
04	Shaft		JS E0001500	1
05	Bearing	compl.	JS E0046200	1
06	Shaft with bearing		JS E0058700	1
07	Grease tank		JS E0002000	1
08	Gear		JS E0055800	1
09	Crankshaft	compl.	JS E0046500	1
10	Bearing holder	compl.	JS E0058800	1
11	Drive	compl., with 06, 08, 09 + 10	JS E0083700	1
12	Bolts, washers, nuts		JS E0043100	1
13	see individual components			1
14	Crank bushing		JS E0042700	1
15	Crank parking hook	for crank 350 mm (JS U01)	JS E0040200	1
15	Crank parking hook	for crank 415–480 mm (JS U02-JS U04)	JS E0040201	1
15	Crank parking hook	for crank 520–620 mm (JS U05-JS U08)	JS E0040202	1
16	Axial bearing		JS E0066400	2
17	* Mh-24/940 inner tube l. + spindle and bearing	with 16 + 03	JS E0063004	1
17	* Mh-25/890 inner tube l. + spindle and bearing	with 16 + 03	JS E0063005	1
17	* Mh-26/840 inner tube l. + spindle and bearing	with 16 + 03	JS E0063006	1
17	* Mh-27/790 inner tube l. + spindle and bearing	with 16 + 03	JS E0063007	1
17	* Mh-28/740 inner tube l. + spindle and bearing	with 16 + 03	JS E0063008	1
17	* Mh-30/690 inner tube l. + spindle and bearing	with 16 + 03	JS E0063009	1
18	* Mh-24/940 inner tube r. + spindle and bearing	with 16 + 03	JS E0062904	1
18	* Mh-25/890 inner tube r. + spindle and bearing	with 16 + 03	JS E0062905	1

Item	Description	Remark	Order No.	per kit
18	* Mh-26/840 inner tube r. + spindle and bearing	with 16 + 03	JS E0062906	1
18	* Mh-27/790 inner tube r. + spindle and bearing	with 16 + 03	JS E0062907	1
18	* Mh-28/740 inner tube r. + spindle and bearing	with 16 + 03	JS E0062908	1
18	* Mh-30/690 inner tube r. + spindle and bearing	with 16 + 03	JS E0062909	1
19	Spring		JS E0012900	4
20	S foot	compl., with 19 and axle	JS D01CH	2
21	A foot	compl. with axle	JS D02CH	2
22	T foot	compl. with axle	JS D04CH	2
23	Wheels with split pins		JS E0083800	2
24	Axle	compl. for R-Foot	JS E0083500	2
25	R-Foot	compl., with 23 + 24	JS D05CH	2
26	Angle		JS E010.001	2
27	Plate-T foot	compl. with axle	JS10	2

\* with the roller foot version the installation height Mh is reduced by 15 mm

\*\* Axle until September 2008 JS E008.3600 (2 per set)

\*\* Axle from September 2008 (from 080912 0359815 JS E010.2600 (2 per set)

## Individual components

Item	Description	Remark	Order No.	per kit	Item	Description	Remark	Order No.	per kit
02	Connection shaft 1340 mm		JS L01	1	13	Crank 350 mm w. parking hook	with 12, 14 + 15	JS U01	1
02	Connection shaft 1450 mm		JS L02	1	13	Crank 415 mm w. parking hook	with 12, 14 + 15	JS U02	1
02	Connection shaft 1470 mm		JS L03	1	13	Crank 450 mm w. parking hook	with 12, 14 + 15	JS U03	1
02	Connection shaft 1500 mm		JS L04	1	13	Crank 480 mm w. parking hook	with 12, 14 + 15	JS U04	1
02	Connection shaft 1505 mm		JS L05	1	13	Crank 520 mm w. parking hook	with 12, 14 + 15	JS U05	1
02	Connection shaft 1575 mm		JS L06	1	13	Crank 570 mm w. parking hook	with 12, 14 + 15	JS U07	1
02	Connection shaft 1605 mm		JS L07	1	13	Crank 620 mm w. parking hook	with 12, 14 + 15	JS U08	1
02	Connection shaft 1635 mm		JS L08	1					
02	Connection shaft 1700 mm		JS L09	1					
02	Connection shaft 1790 mm		JS L10	1					

