

# Landing gears · Modul CI

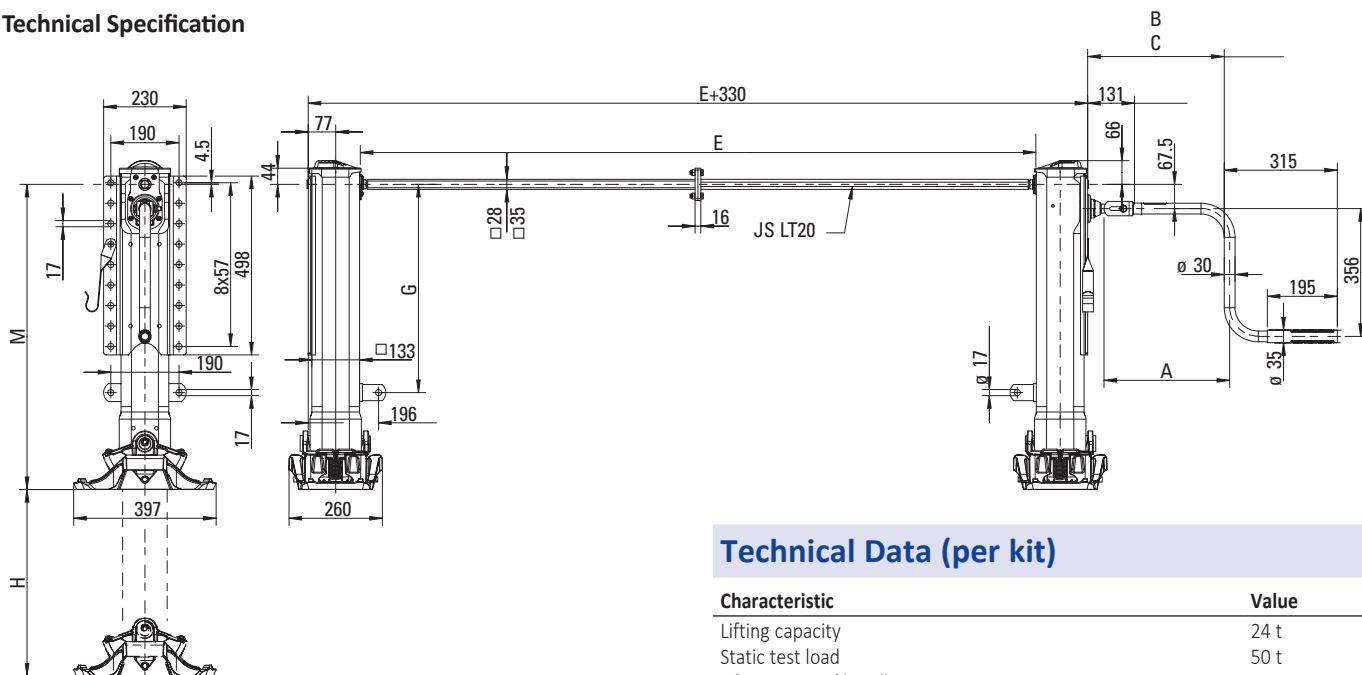
## Advantages at a glance

- Inside chassis mounting
- For semi-trailers with external chassis or self supporting structures
- Four foot types

## Technical Features

- External back plate
- Split cross shaft for easier installation (see special accessories)
- Also available with two side operation and special crank

## Technical Specification



## Technical Data (per kit)

Characteristic	Value
Lifting capacity	24 t
Static test load	50 t
Lift per turn of handle	
– Low gear	0,9 mm
– High gear	15,0 mm
Crank force at 16 t lifting capacity	210 N

## Selection table / Versions available

Order No.	M (mm)	H (mm)	G (mm)	Back plate	Foot
CI101310000	900	560	630	double	S
CI101320000	900	560	630	double	A
CI101340000	900	560	630	double	T
CI101360000	850	560	630	double	TC
CI102310000	850	520	580	double	S
CI102320000	850	520	580	double	A
CI102340000	850	520	580	double	T
CI102360000	800	520	580	double	TC
CI103310000	800	470	530	double	S
CI103320000	800	470	530	double	A

Order No.	M (mm)	H (mm)	G (mm)	Back plate	Foot
CI103340000	800	470	530	double	T
CI103360000	750	470	530	double	TC
CI104310000	750	430	480	double	S
CI104320000	750	430	480	double	A
CI104340000	750	430	480	double	T
CI104360000	700	430	480	double	TC
CI105310000	700	400	430	double	S
CI105320000	700	400	430	double	A
CI105340000	700	400	430	double	T
CI105360000	650	400	430	double	TC

## Crank handle

Order No.	A	B (Low gear)	C (High gear)
JS U01	350	381	400
JS U02	415	446	465
JS U03	450	481	500
JS U04	480	546	530
JS U05	520	586	570
JS U07	570	646	620
JS U08	620	681	670

## Special Accessories

split connection shaft

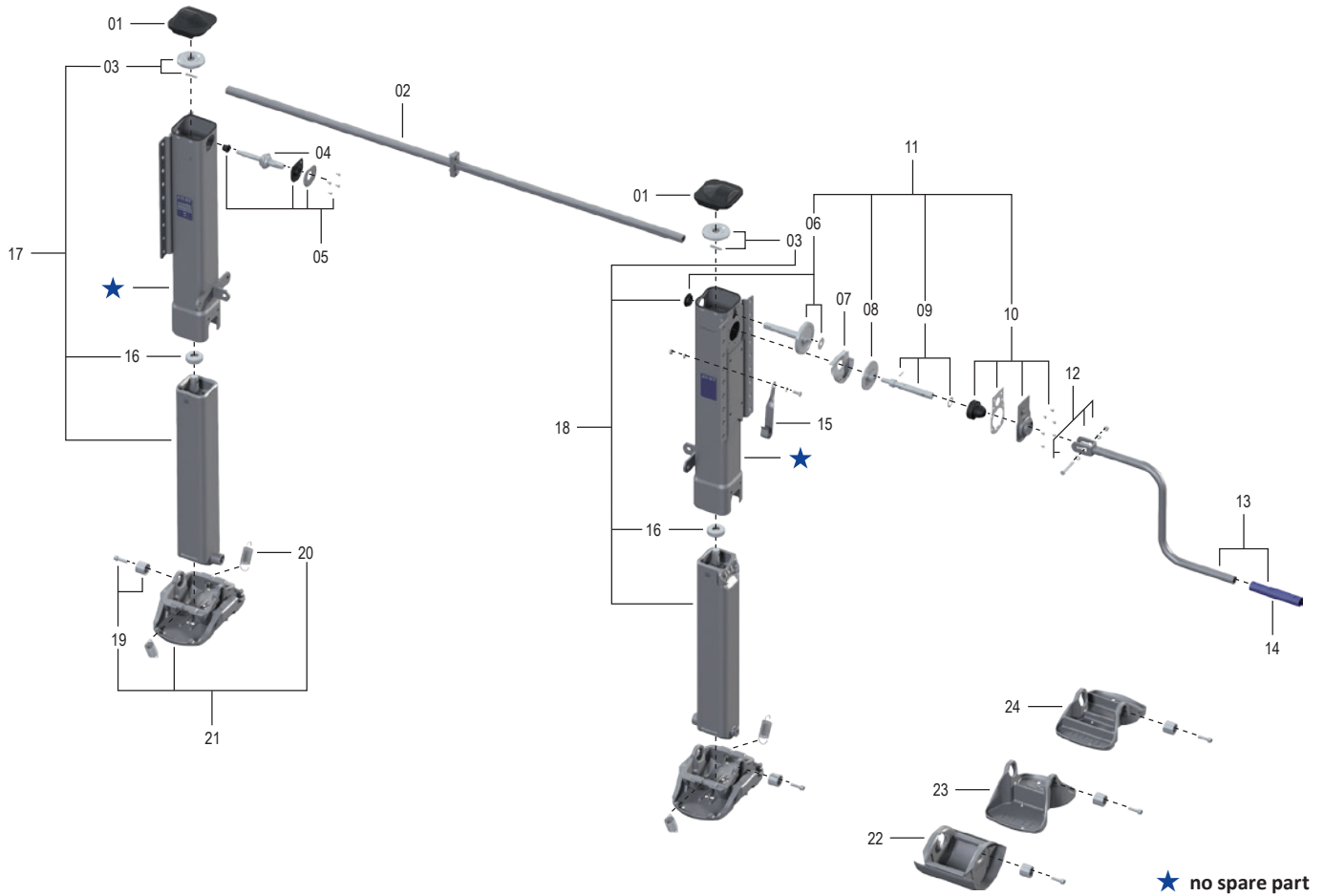
Order No.	(Length of connection shaft)
JS LT20	1840

### Remark:

Crank handles and connection shafts need to be ordered separately and are shipped unassembled.

# Modul CI

## Spare parts



★ no spare part

Item	Description	Remark	Order No.	per kit
01	Cover		JS E0046100	2
02	See individual components			1
03	Bevel gear with bolts		JS E0058600	2
04	Shaft		JS E0001500	1
05	Bearing	compl.	JS E0046200	1
06	Shaft with bearing		JS E0058700	1
07	Grease tank		JS E0002000	1
08	Gear		JS E0055800	1
09	Crankshaft	compl.	JS E0046500	1
10	Bearing holder	compl.	JS E0058800	1
11	Drive	compl., with 06, 08, 09 + 10	JS E0083700	1
12	Bolts, washers, nuts		JS E0043100	1
13	See individual components			1
14	Crank bushing		JS E0042700	1
15	Crank parking hook	for crank 350 mm (JS U01)	JS E0040200	1
15	Crank parking hook	for crank 415–480 mm (JS U02-JS U04)	JS E0040201	1
15	Crank parking hook	for crank 520–620 mm (JS U05-JS U08)	JS E0040202	1
16	Axial bearing		JS E0066401	2
17	* Mh-01/900 inner tube l. + spindle and bearing	with 16 + 03	JS E0056401	1
17	* Mh-02/850 inner tube l. + spindle and bearing	with 16 + 03	JS E0056402	1
17	* Mh-03/800 inner tube l. + spindle and bearing	with 16 + 03	JS E0056403	1
17	* Mh-04/750 inner tube l. + spindle and bearing	with 16 + 03	JS E0056404	1
17	* Mh-05/700 inner tube l. + spindle and bearing	with 16 + 03	JS E0056405	1
18	* Mh-01/900 inner tube r. + spindle and bearing	with 16 + 03	JS E0056201	1
18	* Mh-02/850 inner tube r. + spindle and bearing	with 16 + 03	JS E0056202	1



Item	Description	Remark	Order No.	per kit
18	* Mh-03/800 inner tube r. + spindle and bearing	with 16 + 03	JS E0056203	1
18	* Mh-04/750 inner tube r. + spindle and bearing	with 16 + 03	JS E0056204	1
18	* Mh-05/700 inner tube r. + spindle and bearing	with 16 + 03	JS E0056205	1
19	Nut and bolt***		JS E1043300	2
20	Spring		JS E0012900	4
21	S foot	compl., with 19 + 20****	JS D01	2
22	A foot	compl., with 19****	JS D02	2
23	T foot	compl., with 19****	JS D04	2
24	TC foot	compl., with 19****	JS D06	2

\*\*\* Nut and bolt up to September 2009 Order No. JS E1043300 (4 per Kit)

\*\*\* Nut and bolt from September 2009 Order No. JS E1043300 (2 per Kit)

\*\*\*\* Only one fitting included in scope of delivery

## Individual components

Item	Description	Remark	Order No.	per kit
02	Divided connection shaft		JS LT20	1
13	Crank 350 mm w. parking hook	with 12, 14 + 15	JS U01	1
13	Crank 415 mm w. parking hook	with 12, 14 + 15	JS U02	1
13	Crank 450 mm w. parking hook	with 12, 14 + 15	JS U03	1
13	Crank 480 mm w. parking hook	with 12, 14 + 15	JS U04	1
13	Crank 520 mm w. parking hook	with 12, 14 + 15	JS U05	1
13	Crank 570 mm w. parking hook	with 12, 14 + 15	JS U07	1
13	Crank 620 mm w. parking hook	with 12, 14 + 15	JS U08	1