

Landing gears · Modul CS

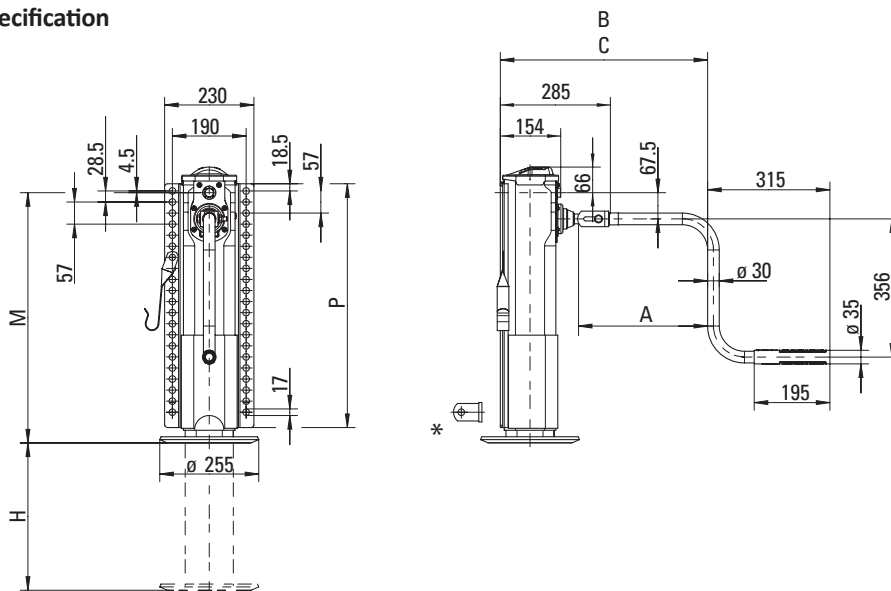
Advantages at a glance

- Stabilising leg for liquid and bulk tippers (rear)
- Support while unloading
- Levelling due to two separate landing gears
- Low maintenance because of integrated lubricant cartridge
- High degree of installation variability thanks to double bolt hole pattern
- Additional spindle nut
 - Additional protection against wear
 - Minimised risk of accidents

Technical Features

- Protected against wear by fully sealed gearbox and reinforced inner tube
- Full length back plate for high variability during installation
- Reinforcement for maximum bending strength
- Heavy duty shaft for better shock resistance
- Secure stand due to reinforced rigid foot

Technical Specification



Selection table / Versions available

Order No.	M (mm)	H (mm)	P (mm)	Back plate	Foot
CS1044700R	750	470	728	full length	T rigid
CS1054700R	700	380	678	full length	T rigid
CS1064700R	650	380	628	full length	T rigid
CS1084700R	600	330	578	full length	T rigid
CS1094700R	550	280	528	full length	T rigid

Technical Data (per piece / set)

Characteristic	Value
Lifting capacity	12 t/24 t
Static test load	33/66 t
Lift per turn of handle	
– Low gear	0,9 mm
– High gear	15,0 mm
Crank force at 8 t lifting capacity	110 N

Remark:

* Brace lugs will be supplied unassembled.

Please order crank handle separately.

Also available without brace lugs on request

Two stabiliser legs are required per trailer. There is no cross shaft.

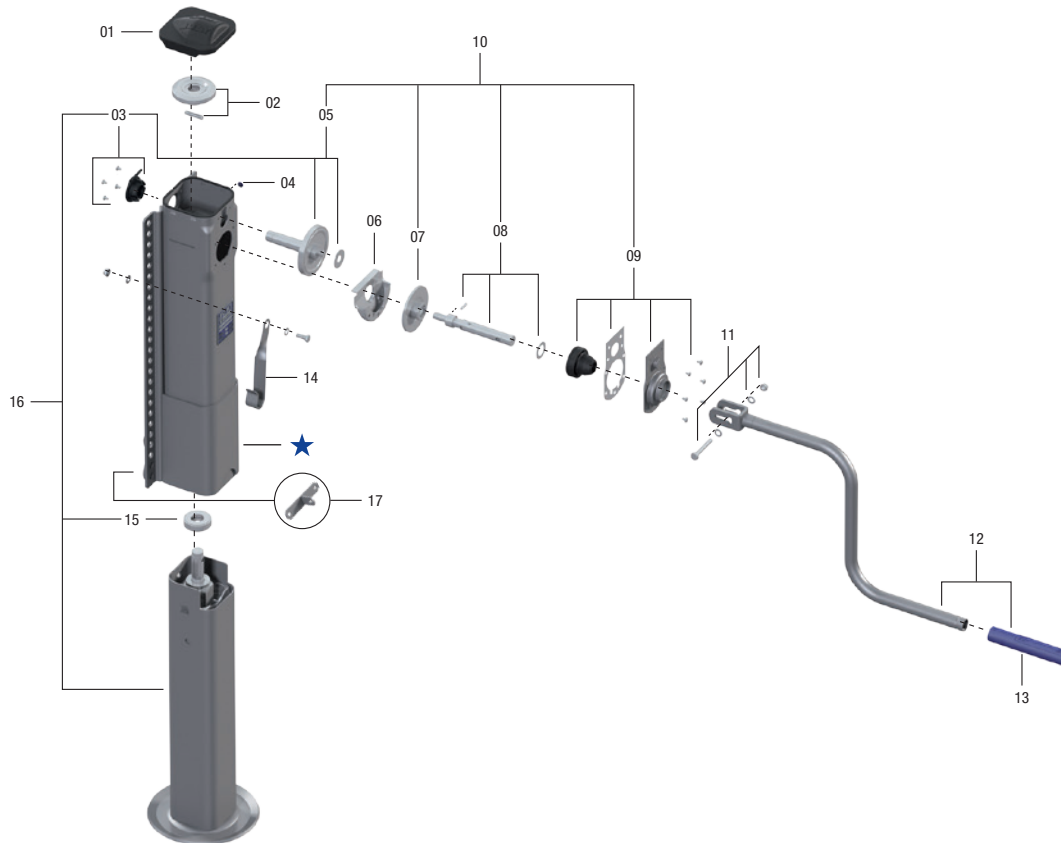
There is no need for a connection shaft.

Order numbers and dimensions of A, B, C and E can be found on Page 132.



Modul CS

Spare parts



★ no spare part

Item	Description	Remark	Order No.	per piece
01	Cover		JS E0046100	1
02	Bevel gear with bolts		JS E0058600	1
03	Cover with shaft	compl.	JS E0125600	1
04	Grease nipple with protective cap		JS E0084000	1
05	Shaft with bearing		JS E0084100	1
06	Grease tank		JS E0002000	1
07	Gear		JS E0055800	1
08	Crankshaft	compl.	JS E0046500	1
09	Bearing holder	compl.	JS E0058800	1
10	Drive	compl., with 05, 07, 08 + 09	JS E0084300	1
11	Bolts, washers, nuts		JS E0043100	1
12	Crank 350 mm w. parking hook	with 11, 13 + 14	JS U01	1
12	Crank 415 mm w. parking hook	with 11, 13 + 14	JS U02	1
12	Crank 450 mm w. parking hook	with 11, 13 + 14	JS U03	1
12	Crank 480 mm w. parking hook	with 11, 13 + 14	JS U04	1
12	Crank 520 mm w. parking hook	with 11, 13 + 14	JS U05	1
12	Crank 570 mm w. parking hook	with 11, 13 + 14	JS U07	1
12	Crank 620 mm w. parking hook	with 11, 13 + 14	JS U08	1
13	Crank bushing		JS E0042700	1
14	Crank parking hook	for crank 350 mm (JS U01)	JS E0040200	1
14	Crank parking hook	for crank 415–480 mm (JS U02-JS U04)	JS E0040201	1
14	Crank parking hook	for crank 520–620 mm (JS U05-JS U08)	JS E0040202	1
15	Axial bearing		JS E0066400	1
16	Mh-04/750 inner tube r. + spindle and bearing	with 15 + 03	JS E0067003	1
16	Mh-05/700 inner tube r. + spindle and bearing	with 15 + 03	JS E0067002	1
16	Mh-06/650 inner tube r. + spindle and bearing	with 15 + 03	JS E0067001	1
16	Mh-08/600 inner tube r. + spindle and bearing	with 15 + 03	JS E0067004	1
16	Mh-09/550 inner tube r. + spindle and bearing	with 15 + 03	JS E0067005	1
17	Angle		JS E010.001	1