

Landing gears · Modul CT

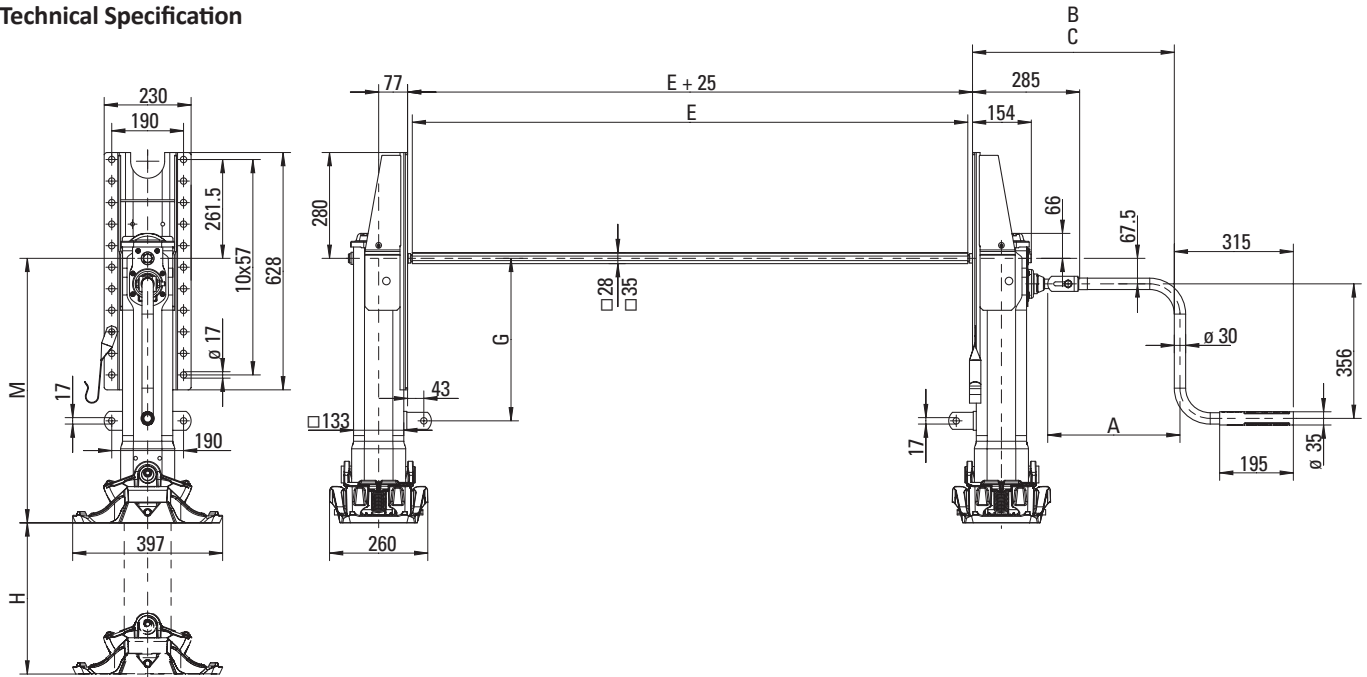
Advantages at a glance

- Lower connection shaft
- For liquid and bulk tippers (front)
- Four foot types

Technical Features

- High installation position
- Long back plate
- Also available with two side operation and special crank

Technical Specification



Selection table / Versions available

Order No.	M (mm)	H (mm)	G (mm)	Back plate	Foot	Order No.	M (mm)	H (mm)	G (mm)	Back plate	Foot
CT103010000	800	470	530	special	S	CT104040000	750	430	480	special	T
CT103020000	800	470	530	special	A	CT104060000	700	430	480	special	TC
CT103040000	800	470	530	special	T	CT105010000	700	400	430	special	S
CT103060000	750	470	530	special	TC	CT105020000	700	400	430	special	A
CT104010000	750	430	480	special	S	CT105040000	700	400	430	special	T
CT104020000	750	430	480	special	A	CT105060000	650	400	430	special	TC

Technical Data (per kit)

Characteristic	Value
Lifting capacity	24 t
Static test load	50 t
Lift per turn of handle	
– Low gear	0,9 mm
– High gear	15,0 mm
Crank force at 16 t lifting capacity	210 N

Remark:

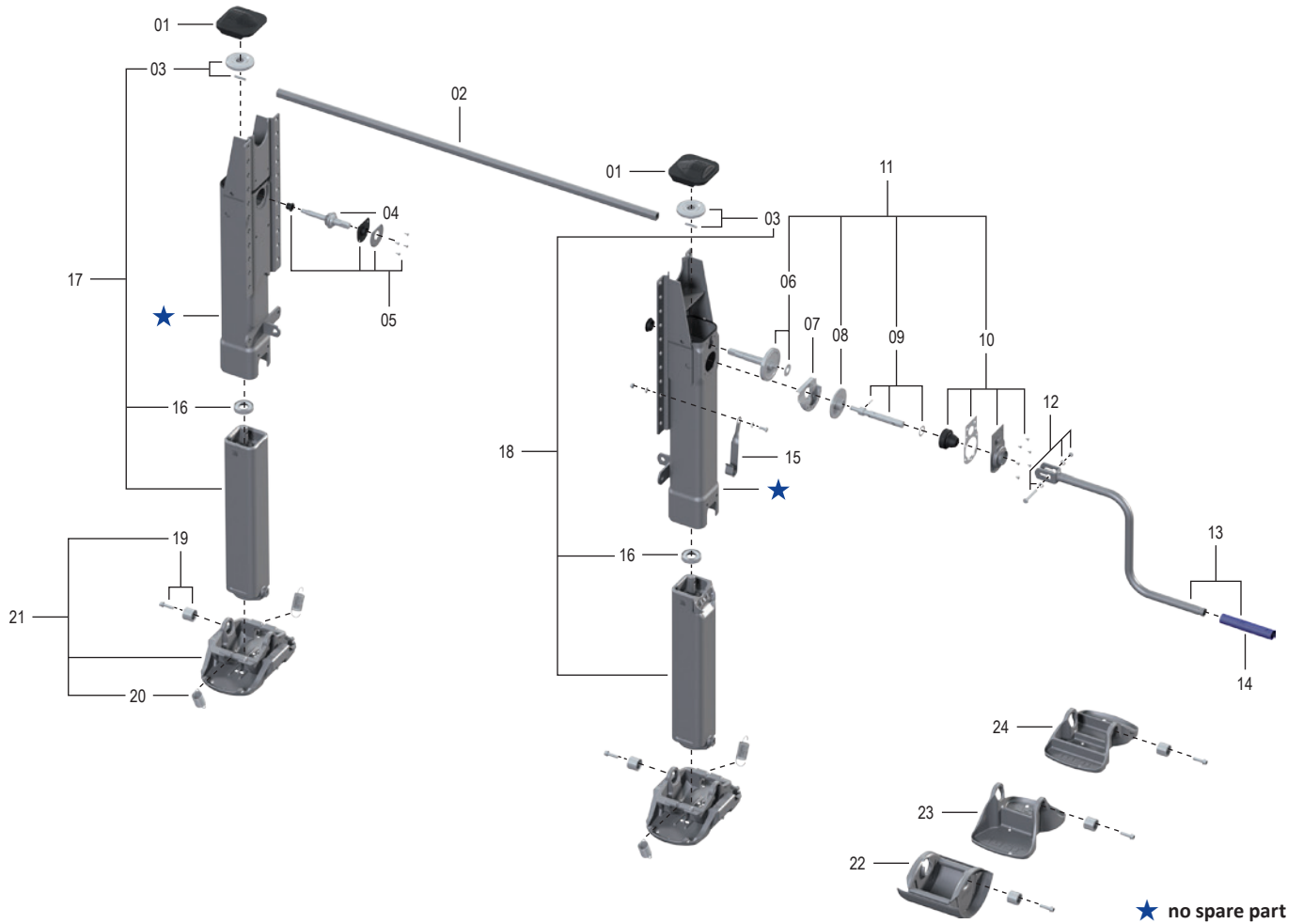
Crank handles and connection shafts need to be ordered separately and are shipped unassembled.

Order numbers and dimensions of A, B, C and E can be found on Page 132.



Modul CT

Spare parts



★ no spare part

Item	Description	Remark	Order No.	per kit
01	Cover		JS E0046100	2
02	see individual components			1
03	Bevel gear with bolts		JS E0058600	2
04	Shaft		JS E0001500	1
05	Bearing	compl.	JS E0046200	1
06	Shaft with bearing		JS E0058700	1
07	Grease tank		JS E0002000	1
08	Gear		JS E0055800	1
09	Crankshaft	compl.	JS E0046500	1
10	Bearing holder	compl.	JS E0058800	1
11	Drive	compl., with 06, 08, 09 + 10	JS E0083700	1
12	Bolts, washers, nuts		JS E0043100	1
13	see individual components			1
14	Crank bushing		JS E0042700	1
15	Crank parking hook	for crank 350 mm (JS U01)	JS E0040200	1
15	Crank parking hook	for crank 415–480 mm (JS U02-JS U04)	JS E0040201	1
15	Crank parking hook	for crank 520–620 mm (JS U05-JS U08)	JS E0040202	1
16	Axial bearing		JS E0066401	2
17	Mh-03/800 inner tube l. + spindle and bearing	with 16 + 03	JS E0056403	1
17	Mh-04/750 inner tube l. + spindle and bearing	with 16 + 03	JS E0056404	1
17	Mh-05/700 inner tube l. + spindle and bearing	with 16 + 03	JS E0056405	1
18	Mh-03/800 inner tube r. + spindle and bearing	with 16 + 03	JS E0056203	1
18	Mh-04/750 inner tube r. + spindle and bearing	with 16 + 03	JS E0056204	1
18	Mh-05/700 inner tube r. + spindle and bearing	with 16 + 03	JS E0056205	1

Item	Description	Remark	Order No.	per kit
19	Nut and bolt***		JS E1043300	2
20	Spring		JS E0012900	4
21	S foot	compl., with 19 + 20****	JS D01	2
22	A foot	compl., with 19****	JS D02	2
23	T foot	compl., with 19****	JS D04	2
24	TC foot	compl., with 19****	JS D06	2

*** Nut and bolt up to September 2009 Order No. JS E1043300 (4 per Kit)

*** Nut and bolt from September 2009 Order No. JS E1043300 (2 per Kit)

**** Only one fitting included in scope of delivery

Individual components

Item	Description	Remark	Order No.	per kit	Item	Description	Remark	Order No.	per kit
02	Connection shaft 1340 mm		JS L01	1	13	Crank 350 mm w. parking hook	with 12, 14 + 15	JS U01	1
02	Connection shaft 1450 mm		JS L02	1	13	Crank 415 mm w. parking hook	with 12, 14 + 15	JS U02	1
02	Connection shaft 1470 mm		JS L03	1	13	Crank 450 mm w. parking hook	with 12, 14 + 15	JS U03	1
02	Connection shaft 1500 mm		JS L04	1	13	Crank 480 mm w. parking hook	with 12, 14 + 15	JS U04	1
02	Connection shaft 1505 mm		JS L05	1	13	Crank 520 mm w. parking hook	with 12, 14 + 15	JS U05	1
02	Connection shaft 1575 mm		JS L06	1	13	Crank 570 mm w. parking hook	with 12, 14 + 15	JS U07	1
02	Connection shaft 1605 mm		JS L07	1	13	Crank 620 mm w. parking hook	with 12, 14 + 15	JS U08	1
02	Connection shaft 1635 mm		JS L08	1					
02	Connection shaft 1700 mm		JS L09	1					
02	Connection shaft 1790 mm		JS L10	1					

