

Landing gears · Modul CW

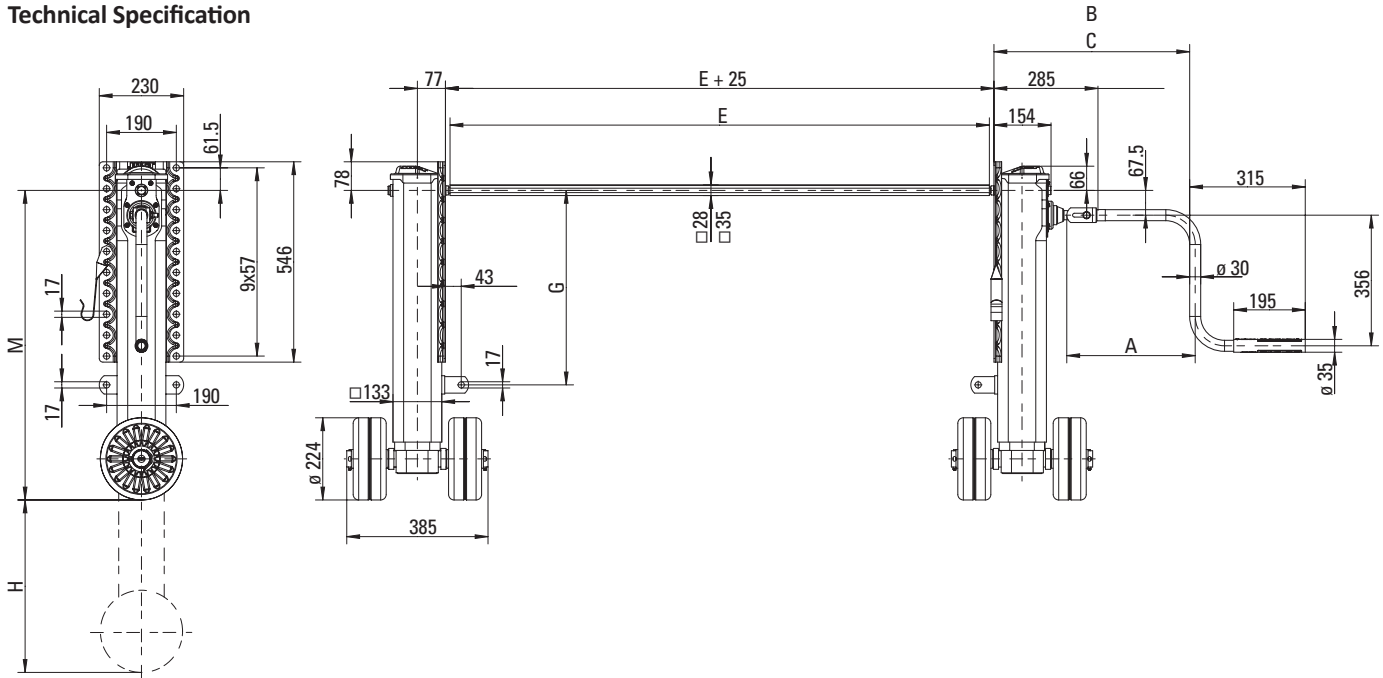
Advantages at a glance

- Roller
- Weight-optimised
- Especially robust

Technical Features

- Also available with two side operation and special crank

Technical Specification



Selection table / Versions available

Order No.	M (mm)	H (mm)	G (mm)	Back plate
CW161330000	945	560	630	double
CW162330000	895	520	580	double
CW163330000	845	470	530	double
CW164330000	795	430	*	double
CW165330000	745	400	*	double
CW166330000	695	350	*	double
CW161130000	945	560	630	upper
CW162130000	895	520	580	upper
CW163130000	845	470	530	upper

Order No.	M (mm)	H (mm)	G (mm)	Back plate
CW164130000	795	430	480	upper
CW165130000	745	400	430	upper
CW166130000	695	350	380	upper
CW161230000	945	560	630	lower
CW162230000	895	520	580	lower
CW163230000	845	470	530	lower
CW164230000	795	430	*	lower
CW165230000	745	400	*	lower
CW166230000	695	350	*	lower

Technical Data (per kit)

Characteristic	Value
Lifting capacity	24 t
Static test load	36 t
Lift per turn of handle	
– Low gear	0,9 mm
– High gear	15,0 mm
Crank force at 16 t lifting capacity	210 N

Remark:

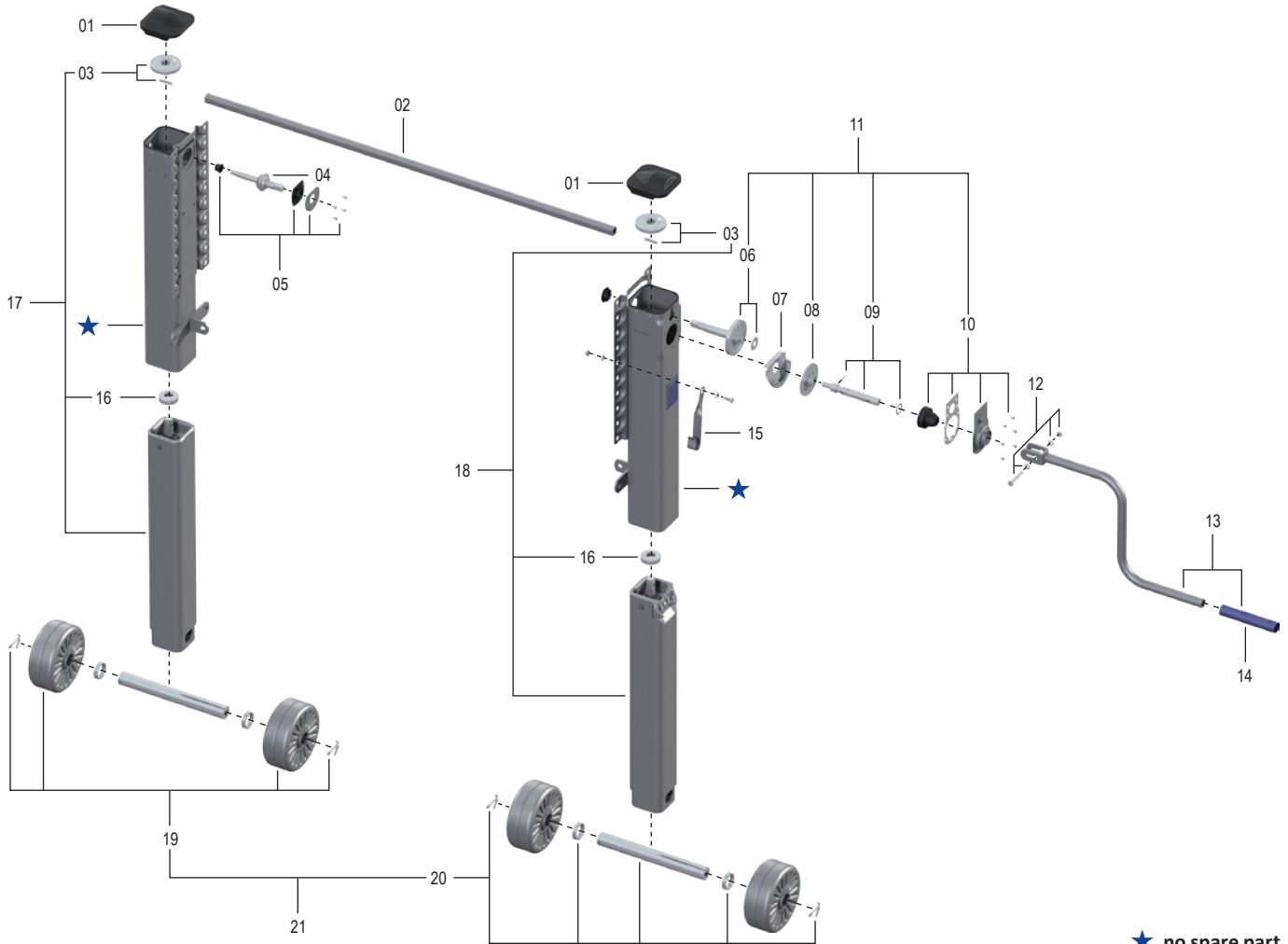
* No bracing bracket is included in delivery. Loose bracing brackets can be ordered as accessories

Crank handles, connection shafts and bracing brackets need to be ordered separately and are shipped unassembled.

Order numbers and dimensions of A, B, C and E can be found on Page 132.

Modul CW

Spare parts



★ no spare part

Item	Description	Remark	Order No.	per kit
01	Cover		JS E0046100	2
02	See individual components			1
03	Bevel gear with bolts		JS E0058600	2
04	Shaft		JS E0001500	1
05	Bearing	compl.	JS E0046200	1
06	Shaft with bearing		JS E0058700	1
07	Grease tank		JS E0002000	1
08	Gear		JS E0055800	1
09	Crankshaft	compl.	JS E0046500	1
10	Bearing holder	compl.	JS E0058800	1
11	Drive	compl., with 06, 08, 09 +10	JS E0083700	1
12	Bolts with washers and nuts		JS E0043100	1
13	See individual components			1
14	Crank bushing		JS E0042700	1
15	Crank parking hook	for crank 350 mm (Crank kit JS U01)	JS E0040200	1
15	Crank parking hook	for crank 415–480 mm (Crank kit JS U02–JS U04)	JS E0040201	1
15	Crank parking hook	for crank 520 mm (Crank kit JS U05)	JS E0040202	1
16	Axial bearing		JS E0066401	2
17	Mh-01/945 inner tube l. + spindle	with 16 + 03	JS E0100501	1
17	Mh-02/895 inner tube l. + spindle	with 16 + 03	JS E0100502	1
17	Mh-03/845 inner tube l. + spindle	with 16 + 03	JS E0100503	1
17	Mh-04/795 inner tube l. + spindle	with 16 + 03	JS E0100504	1
17	Mh-05/745 inner tube l. + spindle	with 16 + 03	JS E0100505	1
17	Mh-06/695 inner tube l. + spindle	with 16 + 03	JS E0100506	1



Item	Description	Remark	Order No.	per kit
18	Mh-01/945 inner tube r. + spindle	with 16 + 03	JS E0100301	1
18	Mh-02/895 inner tube r. + spindle	with 16 + 03	JS E0100302	1
18	Mh-03/845 inner tube r. + spindle	with 16 + 03	JS E0100303	1
18	Mh-04/795 inner tube r. + spindle	with 16 + 03	JS E0100304	1
18	Mh-05/745 inner tube r. + spindle	with 16 + 03	JS E0100305	1
18	Mh-06/695 inner tube r. + spindle	with 16 + 03	JS E0100306	1
19	Wheels with split pins Standard		JS E0062200	2
19	Wheels with split pins reinforced		JS E0083800	2
20	Shaft compl. for R-Foot		JS E0083500	2
21	R-Foot compl. Standard	with 19 + 20	JS D03CW	2
21	R-Foot compl. reinforced	with 19 + 20	JS D05CH	2

Individual components

Item	Description	Remark	Order No.	per kit	Item	Description	Remark	Order No.	per kit
02	Connection shaft 1340 mm		JS L01	1	13	Crank 350 mm w. parking hook	with 12, 14 + 15	JS U01	1
02	Connection shaft 1450 mm		JS L02	1	13	Crank 415 mm w. parking hook	with 12, 14 + 15	JS U02	1
02	Connection shaft 1470 mm		JS L03	1	13	Crank 450 mm w. parking hook	with 12, 14 + 15	JS U03	1
02	Connection shaft 1500 mm		JS L04	1	13	Crank 480 mm w. parking hook	with 12, 14 + 15	JS U04	1
02	Connection shaft 1505 mm		JS L05	1	13	Crank 520 mm w. parking hook	with 12, 14 + 15	JS U05	1
02	Connection shaft 1575 mm		JS L06	1	13	Crank 570 mm w. parking hook	with 12, 14 + 15	JS U07	1
02	Connection shaft 1605 mm		JS L07	1	13	Crank 620 mm w. parking hook	with 12, 14 + 15	JS U08	1
02	Connection shaft 1635 mm		JS L08	1					
02	Connection shaft 1700 mm		JS L09	1					
02	Connection shaft 1790 mm		JS L10	1					