

Landing gears · Modul CA

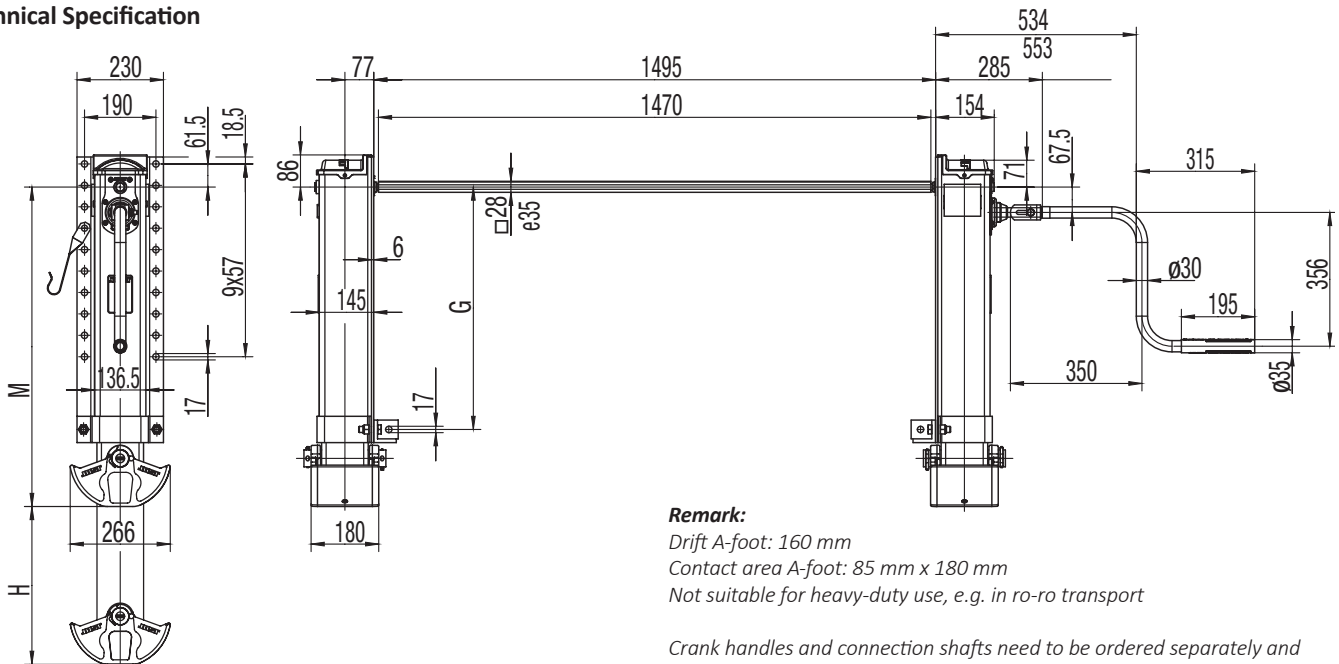
Advantages at a glance

- Weight-optimised
- Especially suited for tank and silo vehicles
- Low maintenance – no need to lubricate the spindle
- Innovative A foot with a large contact area and a particularly long drift
- Continuous back plate for high variability during installation

Technical Features

- High-quality, especially light aluminium design
- Integrated lubricant cartridge
- Also available with two side operation and special crank
- Aluminium landing gears are delivered in untreated form (natural aluminium)

Technical Specification



Remark:

Drift A-foot: 160 mm
 Contact area A-foot: 85 mm x 180 mm
 Not suitable for heavy-duty use, e.g. in ro-ro transport

Crank handles and connection shafts need to be ordered separately and are shipped unassembled.

Order numbers can be found on Page 134.

Selection table / Versions available

Order No.	Foot	Weight (kg)	Back plate	M (mm)	H (mm)	G (mm)
CA101420000	A	65,0	full length	900	470	695
CA102420000	A	62,5	full length	850	420	645
CA103420000	A	60,0	full length	800	370	595
CA104420000	A	57,5	full length	750	320	545
CA101410000	S	69,3	full length	900	470	695
CA102410000	S	66,8	full length	850	420	645
CA103410000	S	67,5	full length	800	370	595
CA104410000	S	61,7	full length	750	320	545

Technical Data (per kit)

Characteristic	Value
Lifting capacity	24 t
Static test load	50 t
Lift per turn of handle	
– Low gear	0,9 mm
– High gear	15,0 mm
Crank force at 16 t lifting capacity	210 N

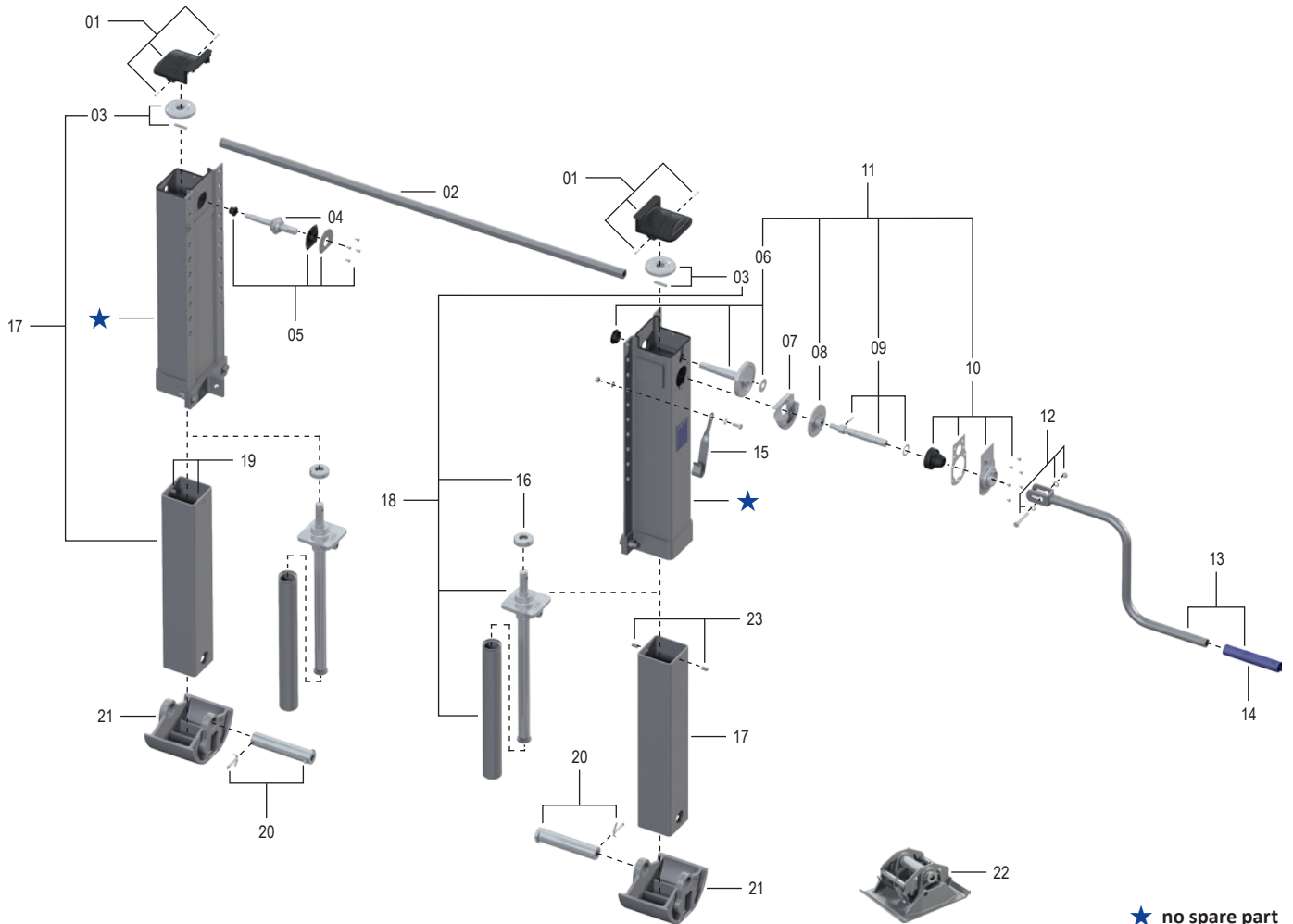
Accessories

Mounting kit	JS E020.001
Intermediate layer for corrosion protection (for the joints between the support and the vehicle frame)	JS2118-0003



Modul CA

Spare parts



★ no spare part

Item	Description	Remark	Order No.	per kit
01	Cover with bolts		JS E0111000	2
02	See individual components			1
03	Bevel gear with bolts		JS E0058600	2
04	Shaft		JS E0001500	1
05	Bearing	compl.	JS E0114000	1
06	Shaft with bearing		JS E0058700	1
07	Grease tank		JS E0002000	1
08	Gear		JS E0055800	1
09	Crank shaft	compl.	JS E0046500	1
10	Bearing holder	compl.	JS E0111500	1
11	Drive	compl., with 06, 09 + 10	JS E0117000	1
12	Bolts, washers, nuts		JS E0043100	1
13	See individual components			1
14	Crank bushing		JS E0042700	1
15	Crank parking hook	for crank 350 mm	JS E0040200	1
15	Crank parking hook	for crank 415–480 mm	JS E0040201	1
15	Crank parking hook	for crank 520 mm	JS E0040202	1
16	Axial bearing		JS E0066401	2
17	Mh-01/900 Inner tube	with 03	JS E0113101	2
17	Mh-02/850 Inner tube	with 03	JS E0113102	2
17	Mh-03/800 Inner tube	with 03	JS E0113103	2
17	Mh-04/750 Inner tube	with 03	JS E0113104	2
18	Mh-01/900 spindle with Lubrication tube	with 16 + 03	JS E0112801	2
18	Mh-02/850 spindle with Lubrication tube	with 16 + 03	JS E0112802	2

Item	Description	Remark	Order No.	per kit
18	Mh-03/800 spindle with Lubrication tube	with 16 + 03	JS E0112803	2
18	Mh-04/750 spindle with Lubrication tube	with 16 + 03	JS E0112804	2
19	Cylindrical pin		JS1120-0007	4
20	Shaft with split pins		JS E0111800	2
21	A-Foot	compl., with 20	JS D02CA	2
22	S-Foot	compl., with 20	JS D01CA	2

Individual components

Item	Description	Remark	Order No.	per kit	Item	Description	Remark	Order No.	per kit
02	Connection shaft 1340 mm		JS L01	1	13	Crank 350 mm w. parking hook	with 15	JS U01	1
02	Connection shaft 1450 mm		JS L02	1	13	Crank 415 mm w. parking hook	with 15	JS U02	1
02	Connection shaft 1470 mm		JS L03	1	13	Crank 450 mm w. parking hook	with 15	JS U03	1
02	Connection shaft 1500 mm		JS L04	1	13	Crank 480 mm w. parking hook	with 15	JS U04	1
02	Connection shaft 1505 mm		JS L05	1	13	Crank 520 mm w. parking hook	with 15	JS U05	1
02	Connection shaft 1575 mm		JS L06	1					
02	Connection shaft 1605 mm		JS L07	1					
02	Connection shaft 1635 mm		JS L08	1					
02	Connection shaft 1700 mm		JS L09	1					
02	Connection shaft 1790 mm		JS L10	1					

