

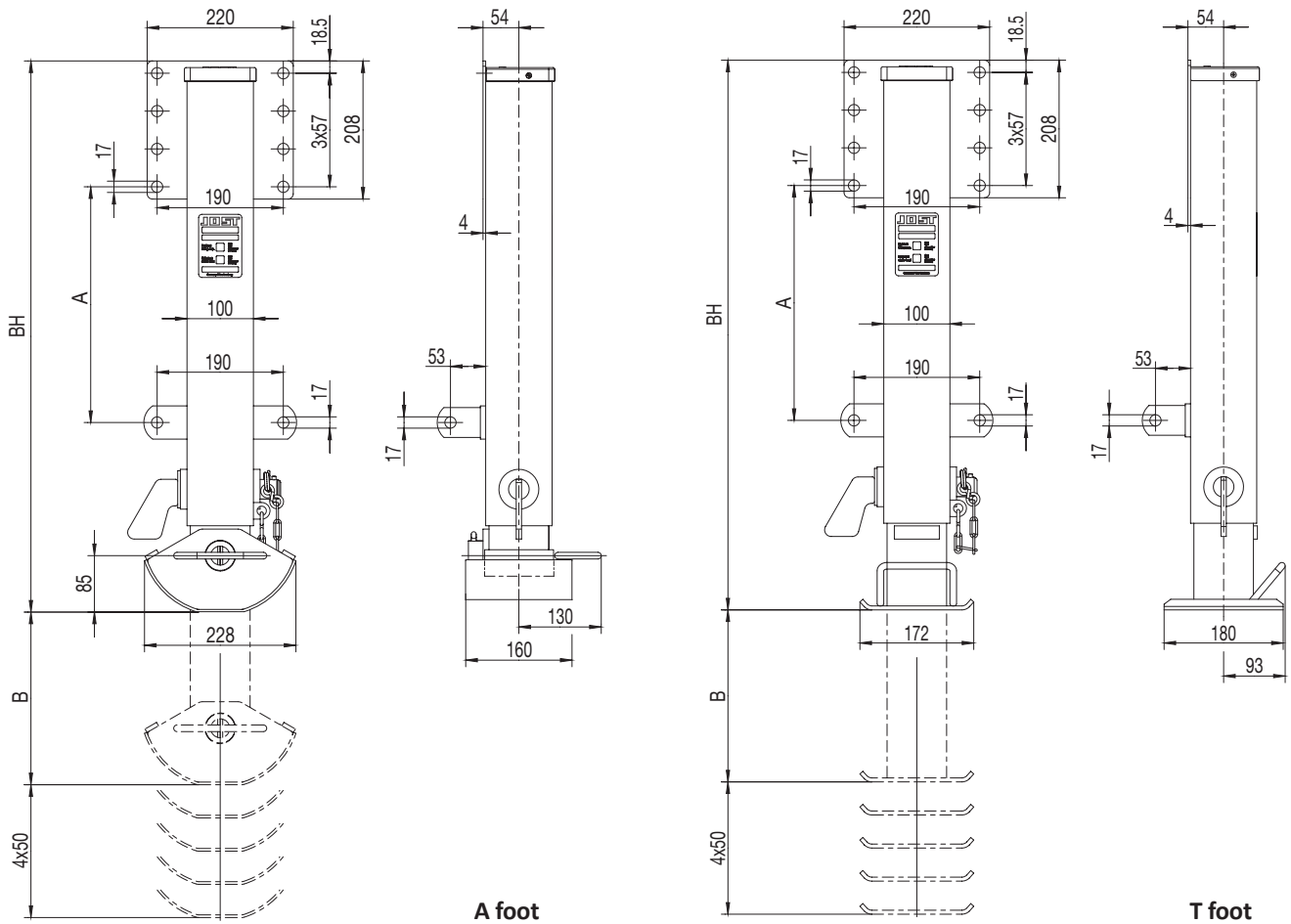
Drop leg · FS 075

Advantages at a glance

- For all applications that put a strong emphasis on a low weight, and where uncoupling is rarely needed
- Robust steel design
- Maintenance-free
- Easy to operate

Technical Features

- Finely graduated drop extension adjustable in multiple ways
- Choice of operation from the left or right side
- Five different mounting heights
- Optionally with sand shoe or compensating foot

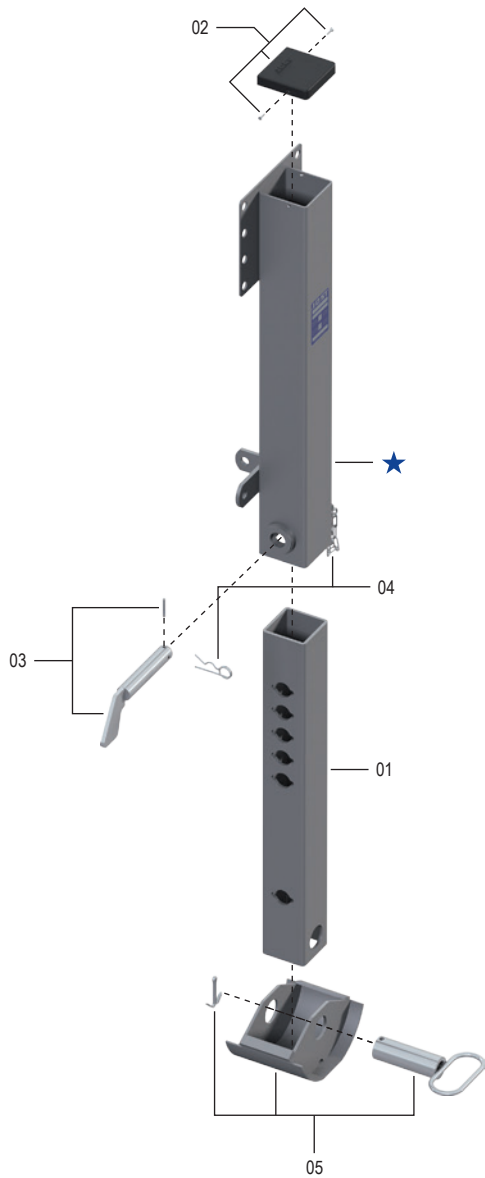


Order No. Operation left	Order No. Operation right	Foot	Weight (kg)	Supported weight per side (t)	Static test load per side (t)	Mounting height M (mm)	Dimension A (mm)	Dimension B (mm)
FS 07501121000	FS 07501122000	A	26.7	12	20	930	455	260
FS 07502121000	FS 07502122000	A	26.1	12	20	880	405	260
FS 07503121000	FS 07503122000	A	25.5	12	20	830	355	260
FS 07504121000	FS 07504122000	A	23.9	12	20	780	305	210
FS 07505121000	FS 07505122000	A	23.3	12	20	730	255	210
FS 07501171000	FS 07501172000	T	25.8	12	20	930	455	260
FS 07502171000	FS 07502172000	T	25.2	12	20	880	405	260
FS 07503171000	FS 07503172000	T	24.6	12	20	830	355	260
FS 07504171000	FS 07504172000	T	22.9	12	20	780	305	210
FS 07505171000	FS 07505172000	T	22.3	12	20	730	255	210

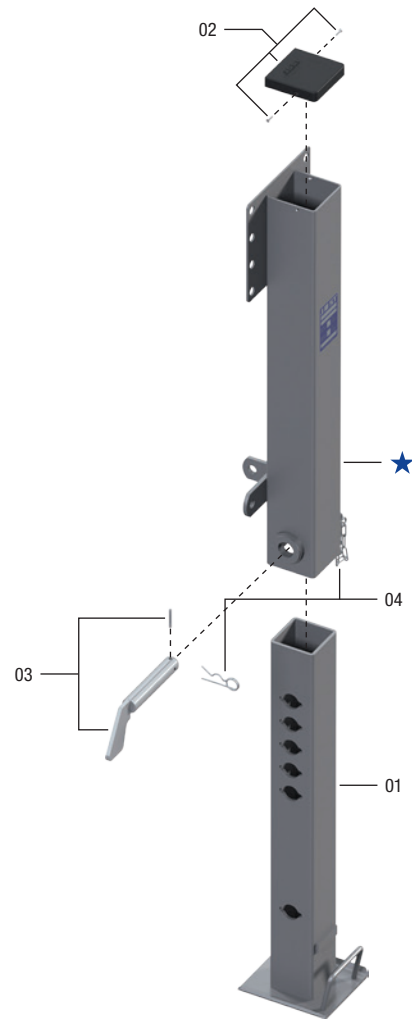
- Only suitable for towing vehicles with pneumatic suspension
- Not suitable for ferry operations
- Two drop legs required per trailer

FS 075

Spare parts



A foot



T foot

★ no spare part

Item	Description	Remark	Order No.	per side
01	Bh 930 support leg		JS E0108321	1
01	Bh 880 support leg		JS E0108321	1
01	Bh 830 support leg		JS E0108321	1
01	Bh 780 support leg		JS E0108322	1
01	Bh 730 support leg		JS E0108322	1
02	Cover with bolts		JS E0108700	1
03	Pin		JS E0107900	1
04	Spring cotter with chain		JS E0109500	1
05	A foot	compl.	JS E0109000	1

Item	Description	Remark	Order No.	per side
01	Bh 930 support leg		JS E0108221	1
01	Bh 880 support leg		JS E0108221	1
01	Bh 830 support leg		JS E0108221	1
01	Bh 780 support leg		JS E0108222	1
01	Bh 730 support leg		JS E0108222	1
02	Cover with bolts		JS E0108700	1
03	Pin		JS E0107900	1
04	Spring cotter with chain		JS E0109500	1

