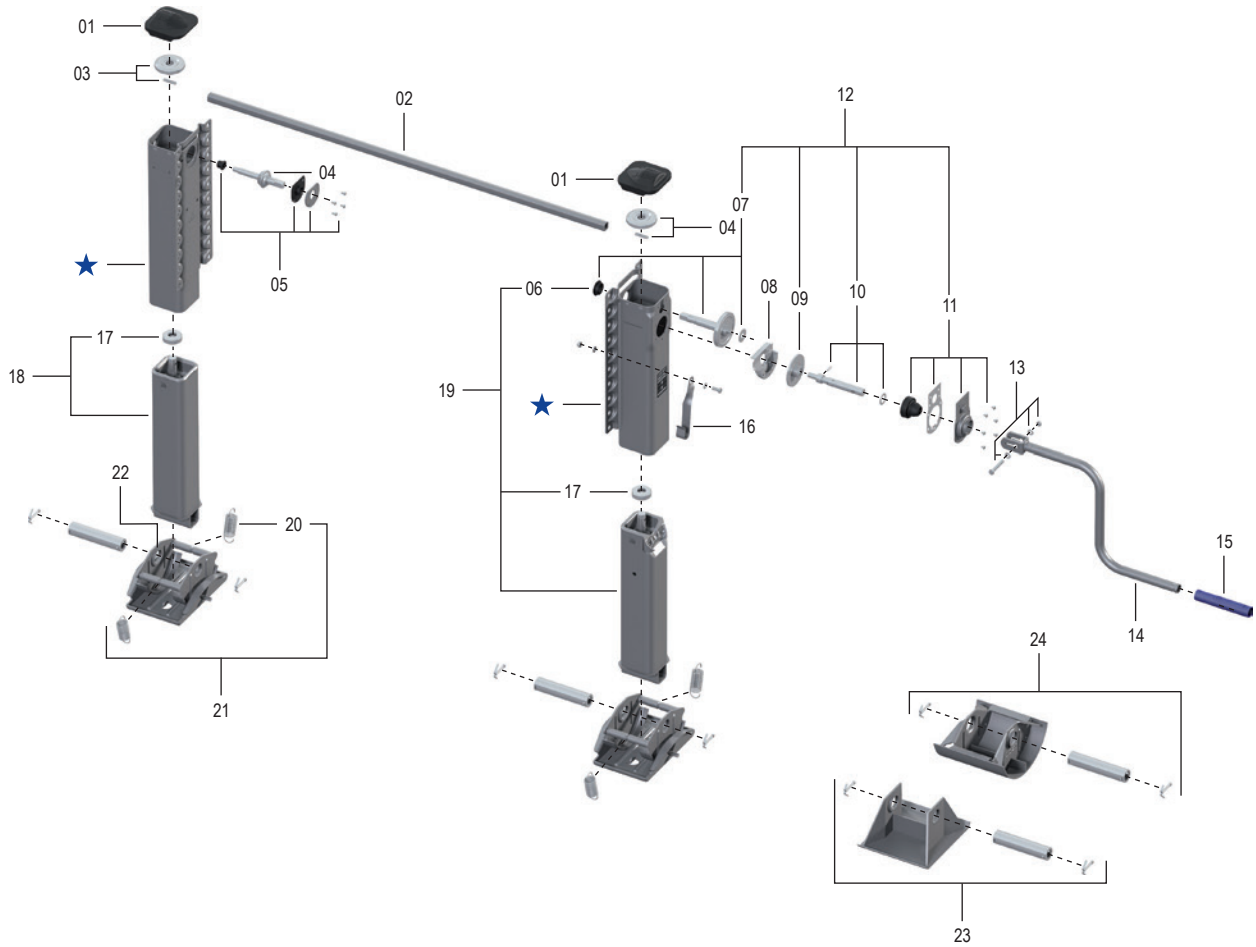


L500

Spare parts



★ no spare part

Item	Description	Remark	Order No.	per kit
01	Cover		JS E0046100	2
02	See individual components			1
03	Bevel gear with bolts		JS E0058600	2
04	Shaft		JS E0001500	1
05	Bearing	compl.	JS E0046200	1
06	Shaft		JS E0001800	1
07	Shaft with bearing		JS E0058700	1
08	Grease tank		JS E0002000	1
09	Gear		JS E0055800	1
10	Crankshaft	compl.	JS E0046500	1
11	Bearing holder	compl.	JS E0058800	1
12	Drive	compl., with 07, 09	JS E0083700	1
13	Bolts with washers and nuts		JS E0043100	1
14	See individual components			1
15	Crank bushing		JS E0042700	1
16	Crank parking hook	for crank 350 mm (JS U01)	JS E0040200	1
16	Crank parking hook	for crank 415–480 mm (JS U02-JS U04)	JS E0040201	1
16	Crank parking hook	for crank 520 mm (JS U05)	JS E0040202	1
17	Axial bearing		JS E0066401	2
18	*Mh-02/850 inner tube left + spindle	with 17	JS E0080202	1
18	*Mh-03/800 inner tube left + spindle	with 17	JS E0080201	1
18	*Mh-04/750 inner tube left + spindle	with 17	JS E0080204	1
18	*Mh-05/700 inner tube left + spindle	with 17	JS E0080205	1

Item	Description	Remark	Order No.	per kit
19	*Mh-02/850 inner tube right + spindle	with 17 + 06	JS E0079702	1
19	*Mh-03/800 inner tube right + spindle	with 17 + 06	JS E0079701	1
19	*Mh-04/750 inner tube right + spindle	with 17 + 06	JS E0079704	1
19	*Mh-05/700 inner tube right + spindle	with 17 + 06	JS E0079705	1
20	Spring		JS E0012900	4
21	S foot	compl., with 20	JS E0084750	2
22	Spacer	only with S foot with loose sleeves	JS E0087622	4
23	T foot	compl.	JS E0095500	2
24	A foot	compl.	JS E0098900	2

* with T foot, the mounting height is reduced by 10 mm

Individual components

Item	Description	Remark	Order No.	per kit	Item	Description	Remark	Order No.	per kit
02	Connection shaft 1340 mm		JS L01	1	14	Crank 350 mm w. parking hook	with 13, 15 + 16	JS U01	1
02	Connection shaft 1450 mm		JS L02	1	14	Crank 415 mm w. parking hook	with 13, 15 + 16	JS U02	1
02	Connection shaft 1470 mm		JS L03	1	14	Crank 450 mm w. parking hook	with 13, 15 + 16	JS U03	1
02	Connection shaft 1500 mm		JS L04	1	14	Crank 480 mm w. parking hook	with 13, 15 + 16	JS U04	1
02	Connection shaft 1505 mm		JS L05	1	14	Crank 520 mm w. parking hook	with 13, 15 + 16	JS U05	1
02	Connection shaft 1575 mm		JS L06	1	14	Crank 570 mm w. parking hook	with 13, 15 + 16	JS U07	1
02	Connection shaft 1605 mm		JS L07	1	14	Crank 620 mm w. parking hook	with 13, 15 + 16	JS U08	1
02	Connection shaft 1635 mm		JS L08	1					
02	Connection shaft 1700 mm		JS L09	1					
02	Connection shaft 1790 mm		JS L10	1					

